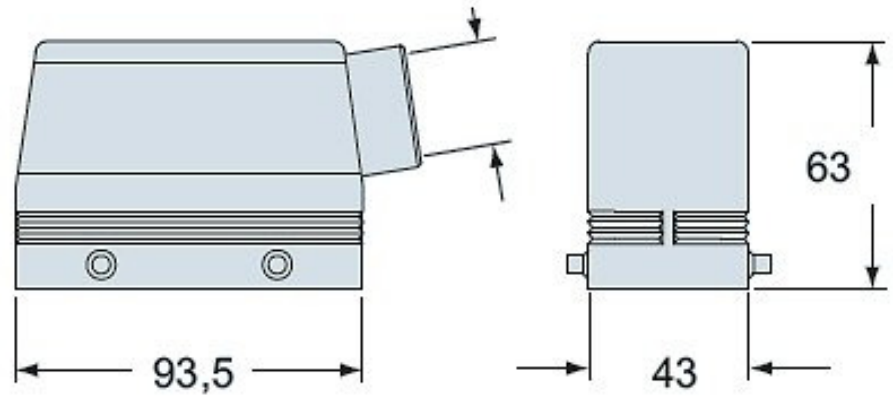


Product Sheet



Part Number: MHO 16.25



Family	CH - CA and MH - MA enclosures
Version	metal version
Series	hoods for two levers
Product type	with 4 pegs
Type	side entry
Quality mark	
IP degree of protection	IP66 (EN 60529) and IP69K (DIN 40050 - 9) degree of protection.
Cable entry	M 25
Fixing centre distance	size "77.27"
Material	metal
Barcode EAN13	8015747053396

The information and the dimensions contained are not binding and may be changed without prior notice.
The drawing's dimensions are in mm.