

RoHS
Compliant



Description

Cat.6/Class E Keystone jack for installation in a Keystone blank 19" patch panel module frame.

Features

Electrical

1. Contact resistance : 20MΩ max
2. Insulation resistance : 500MΩ min
3. Dielectric strength : 700V AC/1min
4. CAT.6 Permanent Link : ISO 11801 PL Max ClassE

Environmental

1. Storage : -40° to +70°
2. Operation : -10° to 60°

Mechanical

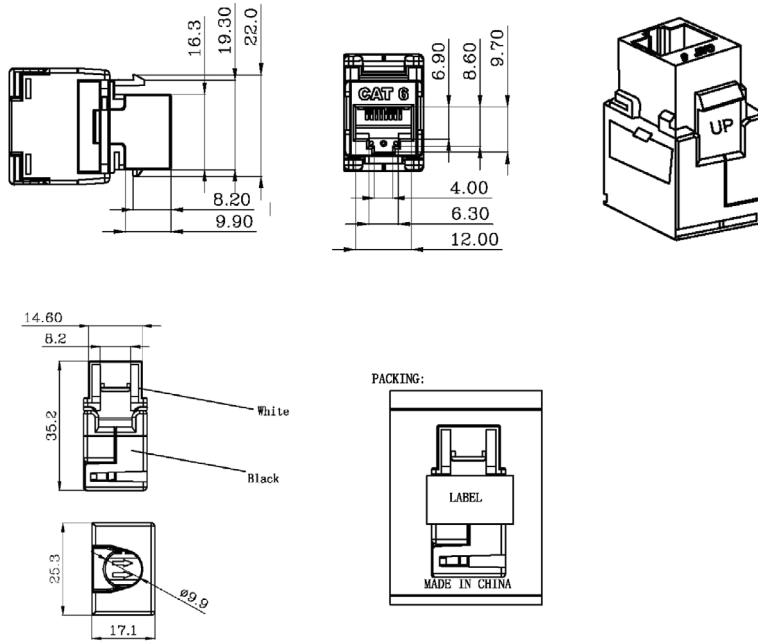
1. Housing material : PC UL94V-0
2. IDC housing material : PC UL94V-0
3. PCB material : fr-4 t=1, 6mm
4. Contact material : Phosphor bronze with gold plating over nickel
5. IDC contact material : Phosphor bronze with tin plating over nickel
6. RJ45 jack life : 750 times min
7. IDC life : 250 times min
8. Wire : AWG23-26AWG

Specifications

Product type	RJ45 Keystone Jack
Colour	White
Shield type	Not screened
Transfer quality	Cat6 / Class E
Quantity of ports	1
Assembly cable connection	Krone LSAprus
Assignment	EIA/TIA 568A & 568B
Modular assembly	Yes
Connection direction	Straight
Weight	10.2g
Height of packaging (single piece)	20mm
Width of packaging (single piece)	100mm
Depth of packaging (single piece)	130mm
Package weight (single piece)	0.017kg

RJ-45 Jack

Diagram



Dimensions : Millimetres

Part Number Table

Description	Part Number
Ethernet Connector, RJ45 Jack, Cat6, Unshielded, White	MP010445

Important Notice : This data sheet and its contents (the "Information") belong to the members of the AVNET group of companies (the "Group") or are licensed to it. No licence is granted for the use of it other than for information purposes in connection with the products to which it relates. No licence of any intellectual property rights is granted. The Information is subject to change without notice and replaces all data sheets previously supplied. The Information supplied is believed to be accurate but the Group assumes no responsibility for its accuracy or completeness, any error in or omission from it or for any use made of it. Users of this data sheet should check for themselves the Information and the suitability of the products for their purpose and not make any assumptions based on information included or omitted. Liability for loss or damage resulting from any reliance on the Information or use of it (including liability resulting from negligence or where the Group was aware of the possibility of such loss or damage arising) is excluded. This will not operate to limit or restrict the Group's liability for death or personal injury resulting from its negligence. Multicomp Pro is the registered trademark of Premier Farnell Limited 2019.