



### Features:

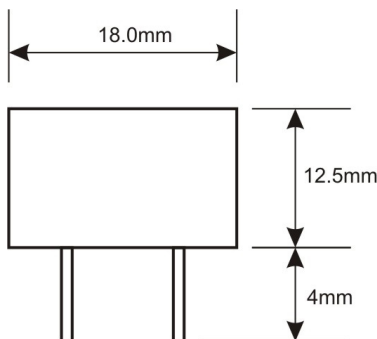
- Low Profile PCB Line Isolation Transformer
- Impedance Line Matching 600:600 Ω
- Dielectric Strength: 4kVrms (6.5KVdc 1sec)
- RoHS Compliant
- UL94-V0 Rated Materials.
- Compliant To EN41003; IEC60950



### Description

This line transformer provides isolation between modems or similar devices and telephone lines. The transformer is designed for use in voice or data transmission circuits where the line DC is diverted from the windings by a choke or solid state device. Enables the equipment to comply with the relevant requirements of BS6305.

### Schematic and Dimensions

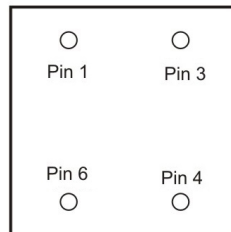


**Dimensions:**  
 Height : 12.5mm  
 Width : 18.0mm  
 Length : 18.0mm  
 Weight : 0.015kg

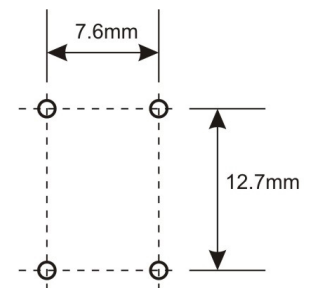
Tolerance unless otherwise stated: +/- 0.2mm



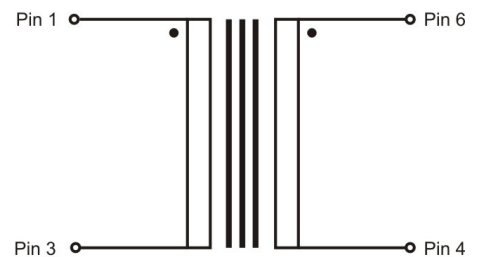
**X:** Year Code  
**WW:** Week of Manufacture



Pin View (Bottom)



PCB Layout, Hole Dia. 1.0mm



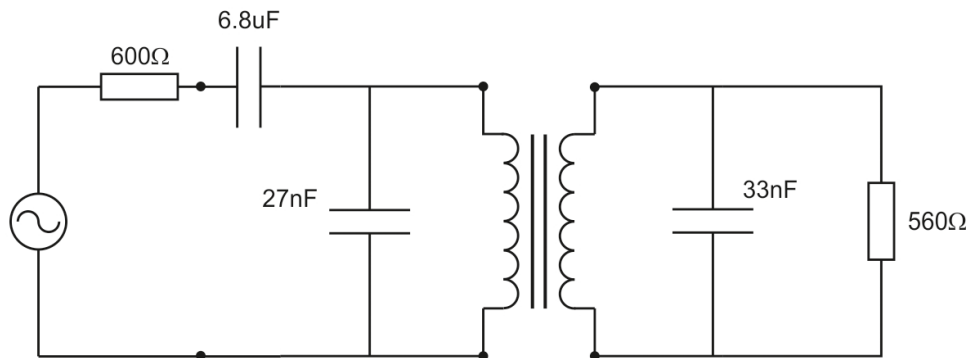
Electrical Schematic VTX-131-001

Please contact Vigortronix for any enquiries. Products can be altered to suit custom requirements.  
 The information contained in this document is subject to change without notice.

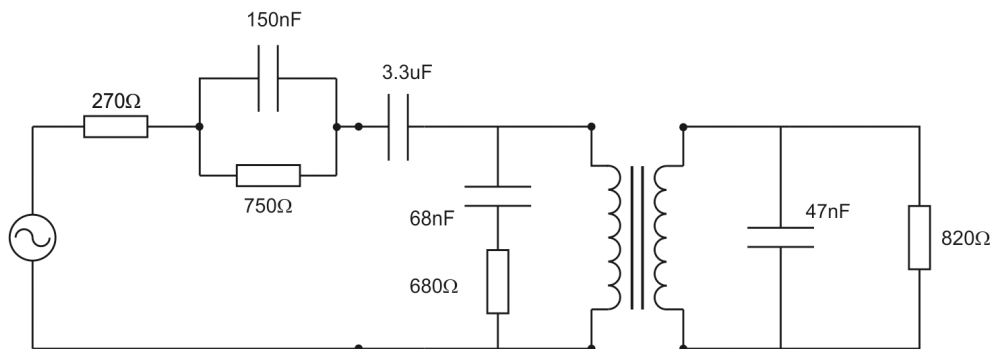
### General Specifications

Criteria	Values	Unit
Suitable for modem speed up to:	V.34	-----
Reflects 600 ohms at PRI with R load =	600	ohms
D.C. Resistance, +/-15%,PRI	68	ohms
D.C. Resistance,+/-15%,SEC	68	ohms
Frequency Response,200 to 4000 Hz	+/-0.2	dB
Insertion Loss at 2kHz,(ref 600Ω Load),max.	1.5 Max	dB
Return Loss vs.600 ohms at 200~4kHz	-20 Min	dB
Dielectric Test PRI-SEC (50Hz)	4000	V rms
Direct Current PRI, maximum	none	mA DC
Turns Ratio (PRI:SEC),+/-2%	1:1	-----
Longitudinal Balance, 200 to 4000 Hz,min.	90	dB
Total Harmonic Dist.,600 Hz,	-80 Min	dBm
Saturation	10Vrms (65V Peak)	V rms
Operating temperature range:	-20°C to + 70°C	°C
Storage temperature range:	-40°C to +125°C	°C

### Class B and Pan-European CTR21 Match Circuits



**CLASS B 600 OHM MATCH**



**PAN-EUROPEAN CTR21 MATCH**

Please contact Vigortronix for any enquiries. Products can be altered to suit custom requirements.  
The information contained in this document is subject to change without notice.

Vigortronix, 16 De Havilland Way, Witney, Oxfordshire, OX29 0YG, UK  
Tel. +44 (0)1993 777570 Web. [www.vigortronix.com](http://www.vigortronix.com), E-mail: [sales@vigortronix.com](mailto:sales@vigortronix.com)  
Vigortronix is a trading name of Vigortronix Limited

*Vigortronix.com*