

Corstat Stacking Totes

Standard footprint Corstat Coated Tote Boxes



Corstat Stacking Tote Bins

Corstat Stacking Tote Bins are manufactured from Corstat Conductive Fibreboard and are available from stock, in a range of sizes.

The tote bins are a flexible solution for in plant component handling and storage.

They can be fitted with stock divisions to specifically suit your application. Offering a light weight, cost effective alternative to conventional injected moulded products, whilst offering complete static protection

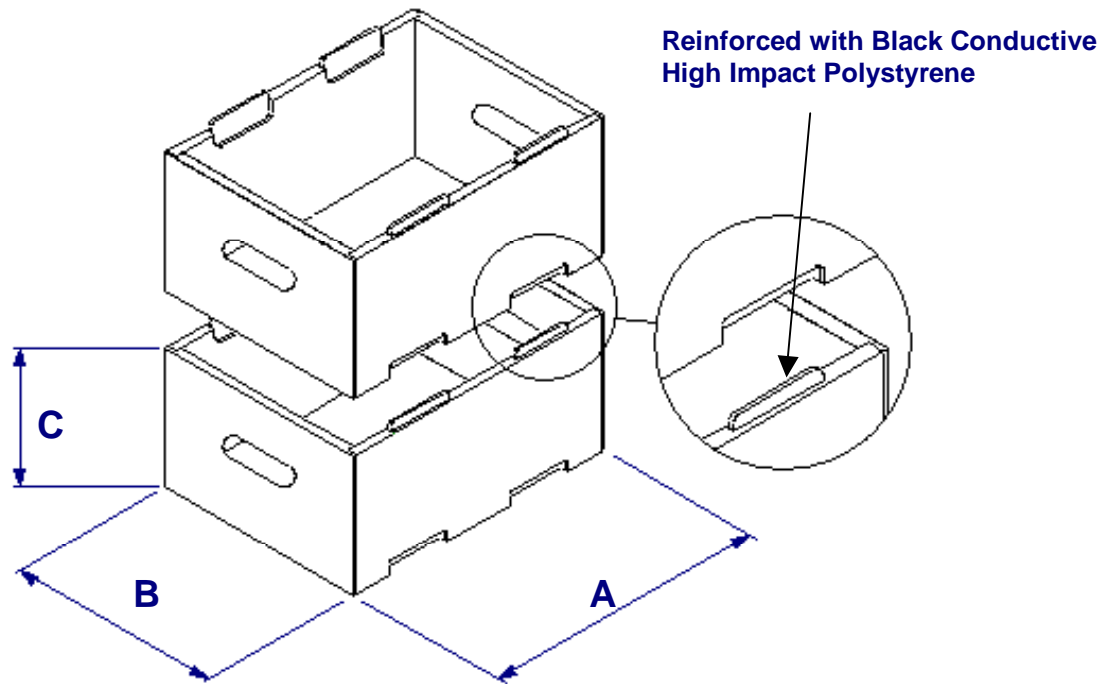


CORSTAT®

Tel: +44 (0) 1793 855 168 Fax: +44 (0) 1793 855 209 Email: enquiries@corstat.co.uk Web: www.corstat.co.uk
Corstat. Unit 7-9 Whitehill Industrial Park Whitehill Lane Wootton Bassett Swindon Wiltshire SN4 7DP

Corstat Stacking Totes

Standard footprint Corstat Coated Tote Boxes



Part Number	Dimension A		Dimension B		Dimension C	
	External	Internal	External	Internal	External	Internal
5000-643	600	572	400	372	300	291
5000-642	600	572	400	372	220	211
5000-641	600	572	400	372	120	111
5000-640	600	584	400	384	58	55
5000-433	400	372	300	272	300	291
5000-432	400	372	300	272	220	211
5000-431	400	372	300	272	120	111

Lids	
Part Number	Internal Dimensions
5000-64	600 x 400 x 50
5000-43	400 x 300 x 50



All dimensions are in mm unless otherwise stated

