

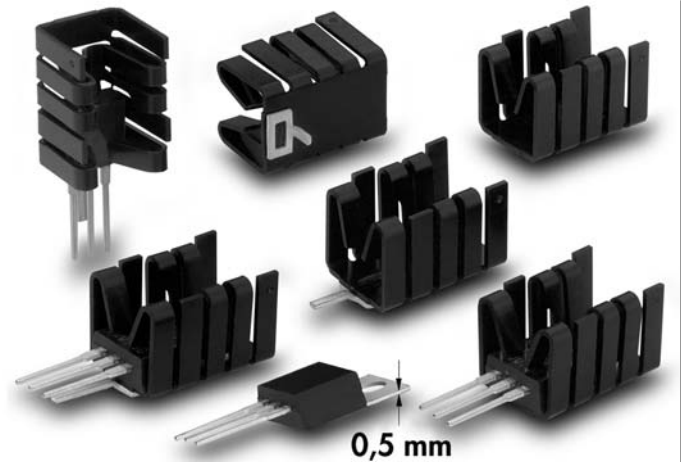
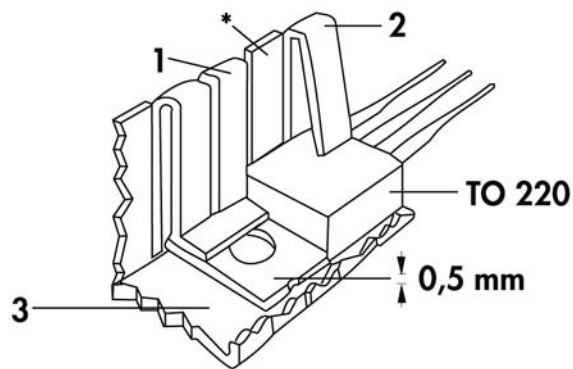
A

## Attachable heatsink for TO 220 with a bottom plate thickness of 0.5 mm

B

C

D



- narrow version with better thermal resistance
- max. 14.5 mm wide
- 3 different lengths for varied dissipation power
- takes less space than any other attachable heatsink
- simple assembly by pushing the heatsink onto the TO 220 housing
- the cooling fingers form spring clamps (**1+2**), which pushes the TO 220 and it's mounting flange onto the heatsink (**3**)
- optimum heat transfer due the constant pressure on the entire contact surface of the TO 220 cases
- effective heat emmision with horizontal and vertical mounting

F

with tinned soldering lug for direct soldering onto circuit board, for vertical installation

G

<b>art. no.</b>	A [mm]	$R_{th}$ [K/W]	
<b>FK 252 SA 220 V</b>	6.35	21	

\* = touch in edge of transistor

**material:** aluminium  
**surface treatment:** black anodised

I

K

L

M

N

### C 15

Aluminium oxide wafers  
 Heatsinks for D PAK  
 Heatsinks for transistors  
 Silicone wafers

→ E 9 - 9  
 → C 19  
 → C 4 - 9  
 → E 2 - 4

Technical introduction  
 Mica wafers  
 U-shaped heatsink  
 Kapton insulator washers

→ A 2 - 7  
 → E 11  
 → A 121 - 122  
 → E 8