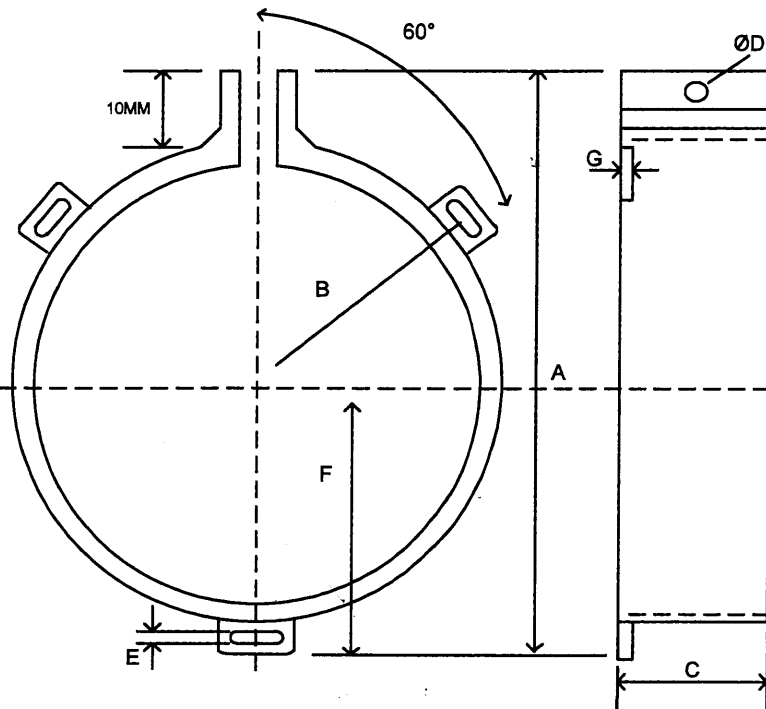


'SC' SERIES

'SC' SERIES For Surface or Central Mounting.

Metal clips can cut through the insulating sleeve and cause problems which cannot occur with an insulating NYLON clip.

The good mechanical properties of NYLON are well known and these clips are particularly suitable where vibration is involved.



No.	CAN DIAMETER	A	B	C	D	E	F	G
EP0885 - PNF3	50	74	32	25	4	4.7	37	2.5
EP0886 - PNF3	63.5	87	38.5	25	4	4.7	43.5	2.5
EP0887 - PNF3	76	100	45	25	4	4.7	50	2.5
EP9002 - PNF3	90	114	52	25	4	4.7	57	2.5