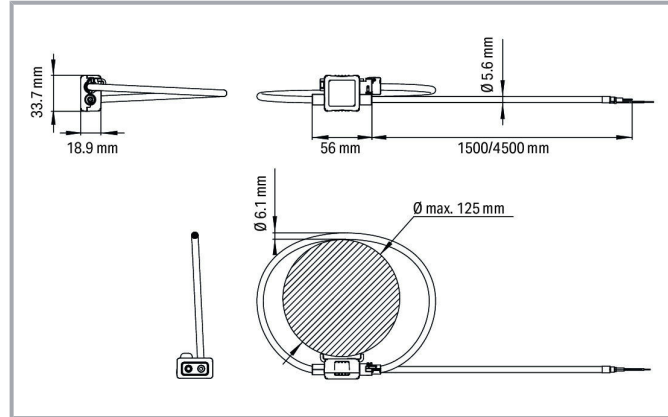
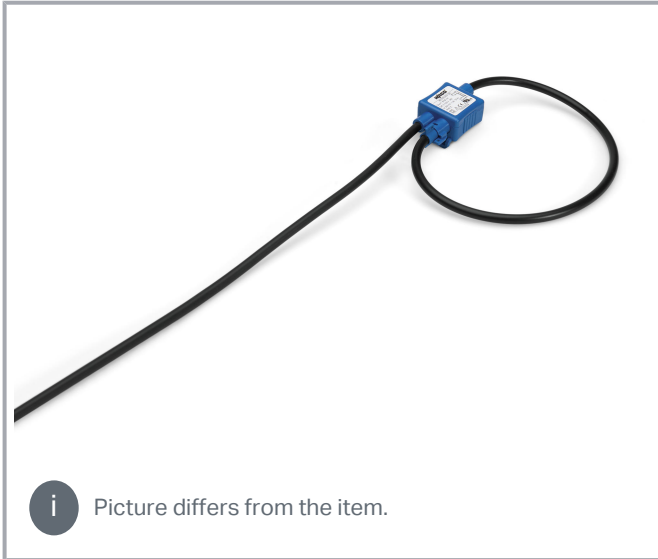


Data sheet | Item number: 855-9450/2000-1251

Rogowski coil; Primary rated current 4000 A; Output signal 22.5 mV per kA;
Cable length 4.5 m; Feedthrough for measurement conductor 125 mm



www.wago.com/855-9450/2000-1251



Item description

Short description:

These Rogowski coils are closed-air coils featuring a non-magnetic split core that can be connected to WAGO products (857-552; 750-495/000-002; 2857-570/024-000).

Easy mounting of the Rogowski coils allows existing systems to be retrofitted without time-consuming installation or process interruption.

Features:

- Rated insulation voltage: 1000 V Cat. III/600 V Cat. IV
- Accuracy class: 0.5 (per EN 61869-2)
- Protection type: IP57
- Measurement coil diameter: 70, 125 or 175 mm
- Length of signal lines: 1.5 m or 4.5 m
- Surrounding air temperature: -40 ... +80°C
- Sealable bayonet connector
- Anchor points for cable ties

Note:

The specifications for the primary rated current refer to a combination with the WAGO Modules (857-552 and 750-495/000-002).

Subject to changes. Please also observe the further product documentation!

WAGO Kontakttechnik GmbH & Co. KG
Hansastr. 27
32423 Minden
Phone: +49571 887-0 | Fax: +49571 887-169
Email: info.de@wago.com | Web: www.wago.com

Do you have any questions about our products?
We are always happy to take your call at +49 (571) 887-44222.



Rogowski technology allows the coils to measure a wide primary current range of up to 10,000 A without loss of accuracy, because there are no saturation effects.

The requirements for standards EN 61869-1, EN 61869-2, EN 61869-6 and EN 61869-10 are only partially met, as there are fundamental differences with current transformers for a Rogowski coil.

Data

Technical data

Input – current transformer

Primary rated current	4000 A (in combination with WAGO products)
Rated short-time thermal current I_{th}	300 kA at 50 Hz
Rated frequency	50 ... 60 Hz
Mutual inductance M	72.14 nH

Output – analog

Sensitivity	22.5 mV/kA at 50 Hz
Output signal (max.)	30 V

Signal processing

Limit frequency	276 kHz
-----------------	---------

Measurement error

Accuracy class	0.5
Positioning error	±0.75 %

Safety and protection

Rated insulation voltage	1000 VAC _{rms} (Cat. III); 600 VAC _{rms} (Cat. IV)
Impulse withstand voltage (1.2/50 µs)	12.8 kV
Protection type	IP57

Test voltage

Voltage for isolation test	AC 7.4 kV; 50 Hz; 1 min
----------------------------	-------------------------

Subject to changes. Please also observe the further product documentation!

Connection data

Feedthrough for measurement conductor	Ø 125 mm
---------------------------------------	----------

Physical data

Cable length	4.5 m
--------------	-------

Mechanical data

Mounting type	Split-core current transformer (suspended)
---------------	--

Material data

Weight	130 g
--------	-------

Environmental requirements

Surrounding air temperature (operation)	-40 ... 80 °C
---	---------------

Surrounding air temperature (storage)	-40 ... 80 °C
---------------------------------------	---------------

Relative humidity	90% (without condensation)
-------------------	----------------------------

Operating altitude (max.)	2000 m
---------------------------	--------

Standards and specifications

Conformity marking	CE
--------------------	----

Standards/Specifications	EN 61010-1 EN 61010-2-32 EN 61869-1 EN 61869-2 EN 61869-6 EN 61869-10 UL 61010-1
--------------------------	--

Commercial data

PU (SPU)	1 Stück
----------	---------

Packaging type	bag
----------------	-----

Country of origin	BG
-------------------	----


GTIN	4055143419215
------	---------------

Customs tariff number	90303370000
-----------------------	-------------

Subject to changes. Please also observe the further product documentation!



Approvals / Certificates

UL-Approvals

Logo	Approval	Additional Approval Text	Certificate name
	UL Underwriters Laboratories Inc.	UL 61010-2-032	E499682

Optional accessories

General accessories

	Item no.: 2857-570/024-000 3-Phase Power Measurement Module; 3x400/690 V/RC; Modbus RTU; Digital output; Configuration via software; Supply voltage: 24 VDC	www.wago.com/2857-570/024-000
	Item no.: 857-552 Current signal conditioner; Input for Rogowski coils; Current and voltage output signal; Digital output; Configuration via software; Supply voltage: 24 VDC; 6 mm module width; 2,50 mm ²	www.wago.com/857-552

Downloads

Documentation

Bid Text

855-9450/2000-1251 docx - Datei	19 Feb 2019	docx 18.5 kB	Download
------------------------------------	-------------	-----------------	----------

Instruction Leaflet

Rogowski-Spulen RC70 / RC125 / RC175	V 1.1.0	pdf 1.7 MB	Download
--------------------------------------	---------	---------------	----------

Additional Information

Disposal; Electrical and electronic equipment, Packaging	V 1.0.0	pdf 265.8 kB	Download
--	---------	-----------------	----------

Environmental Product Compliance

Compliance Search

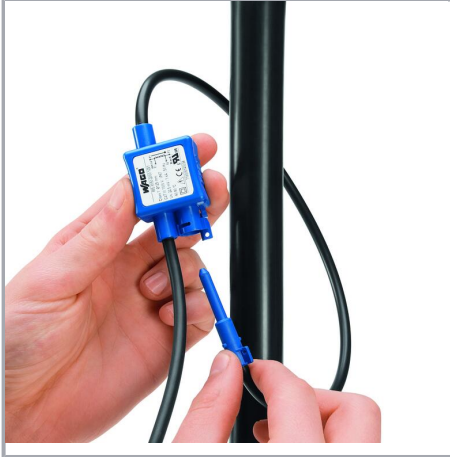
Environmental Product Compliance 855-9450/2000-1251	URL	Download
---	-----	----------

Subject to changes. Please also observe the further product documentation!

Rogowski coil; Primary rated current 4000 A; Output signal 22.5 mV per kA; Cable length 4.5 m; Feedthrough for measurement conductor 125 mm

Installation Notes

Installation



Bayonet connector:
Robust and durable



Screw-mount clips:
Quick and easy mounting with cable ties



Lock-out seal:
Greater security via sealable bayonet lock

Subject to changes. Please also observe the further product documentation!