

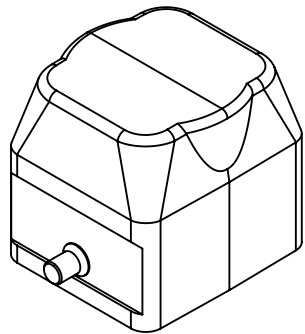
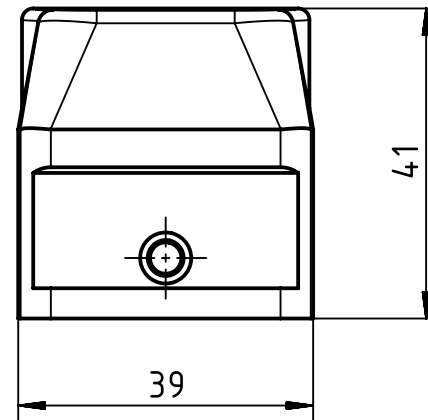
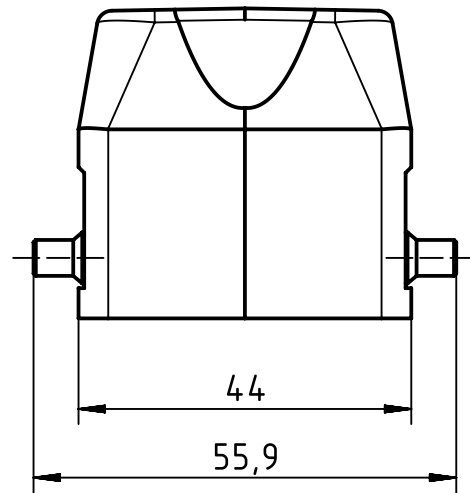
1 2 3 4 5 6


A

B

C

D



	All rights reserved Department EL PD - DE		Created by ILJIN	Inspected by FERDERERA	Standardisation TIEMANNA	Date 2014-01-31	State Final Release
	HARTING Electric GmbH & Co. KG D-32339 Espelkamp		Title Han-Modular Twin cover				Doc-Key / ECM-Nr. 100536844/UGD/001/B 500000071168
			Scale 1:1	Free size tol.		Ref.	Sub.
			Type TB	Number 09 14 002 5401		Rev. B	Page 1/1