

**M12 Actuator/Sensor Distribution Boxes**

ASBV

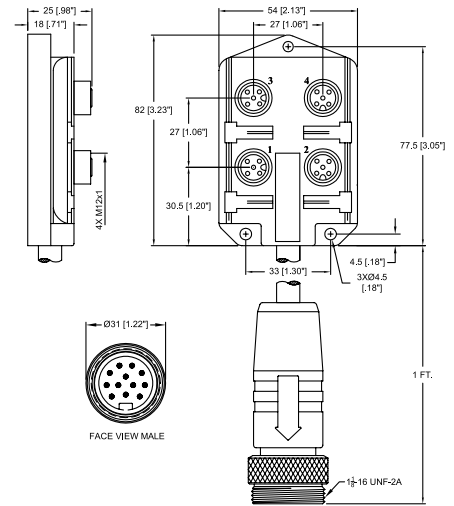


**4- and 8-Ports (Dual Solenoids)**

Actuator distribution box with dual solenoids, 4- and 8-port, top-entry, M12 sockets, 3-poles, 2 signals per socket, with Mini quick-disconnect control cable.

– control cable is suitable for c-track applications –

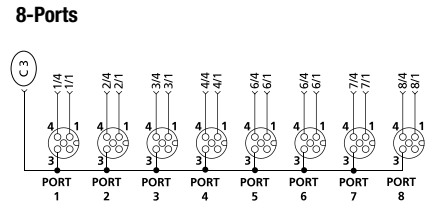
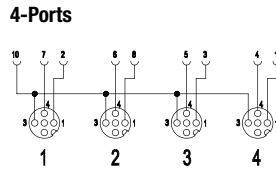
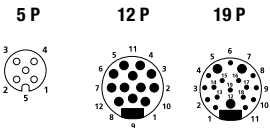
**4-Ports**



**Pin Assignments**

M12 / Mini 1 1/8"

Wiring Diagrams



- 1 = brown/green
- 2 = grey/pink
- 3 = white/green
- 4 = grey
- 5 = yellow
- 6 = green
- 7 = white
- 8 = red/blue
- 9 = n.c.
- 10 = blue (-)
- 11 = n.c.
- 12 = n.c.

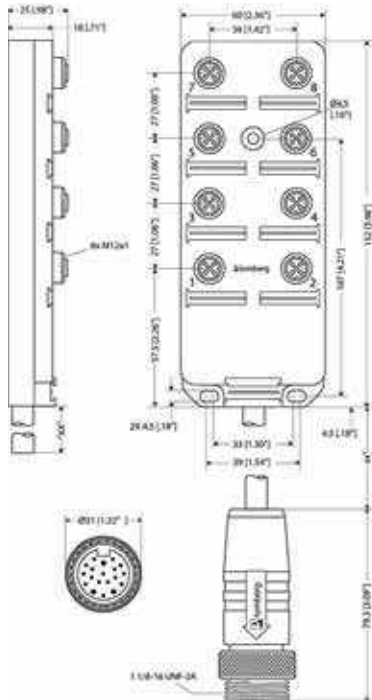
- |     |                  |      |            |    |
|-----|------------------|------|------------|----|
| 1 = | grey/pink (1)    | 19 = | white(1)   | 15 |
|     | red/blue (2)     | 4 =  | green (2)  | 6  |
|     | white/green (3)  | 8 =  | yellow (3) | 16 |
|     | brown/green (4)  | 14 = | grey (4)   | 3  |
|     | white/yellow (5) | 9 =  | pink (5)   | 17 |
|     | yellow/brown (6) | 13 = | red (6)    | 2  |
|     | white/grey (7)   | 10 = | black (7)  | 11 |
|     | grey/brown(8)    | 18 = | violet (8) | 1  |
| 3 = | blue (C3) (-)    | 5 =  | n.c.       | 7  |
|     |                  |      | n.c.       | 12 |



## M12 Actuator/Sensor Distribution Boxes

ASBV 4 4-3-256/RS120M | ASBV 8 4-3-242/RS190M

### 8-Ports



### Technical Data

#### Environmental

Degree of protection IP 68 / NEMA 6P  
 Operating temperature range -15°C (+5°F) / +90°C (+194°F)

#### Mechanical

Housing PUR, grey  
 Insert Nylon, black  
 Contact CuZn, gold over nickel plating  
 Receptacle shell CuZn, nickel-plated  
 O-ring Viton

#### Mini Quick Disconnect

Molded body PUR, yellow  
 Insert PUR, yellow  
 Contact CuZn, gold over nickel plated  
 Coupling nut Aluminum, black anodized

#### Electrical

Voltage rating 250 V  
 Current rating 4 A per port / 12 A max. total

#### Accessories (included)

ZVK 2 dust covers for unused sockets  
 ZBS 10 attachable labels

### Cable Specifications

Cable No.	Outer Jacket	Conductor Size	Color	Outside Diameter
256	PUR, Hi-Flex	3 x 1mm <sup>2</sup> 8 x 0.50mm <sup>2</sup>	Black	.366" (9.3 mm)
242	PUR Halogen-Free	3 x 1mm <sup>2</sup> 16 x 0.50mm <sup>2</sup>	Black	.457" / Ø 11.6mm

Part Number	Ports	Standard Cable Length	Characteristics
ASBV 4 4-3-256/RS120M	4	1F	
ASBV 8 4-3-242/RS190M	8	1F	