

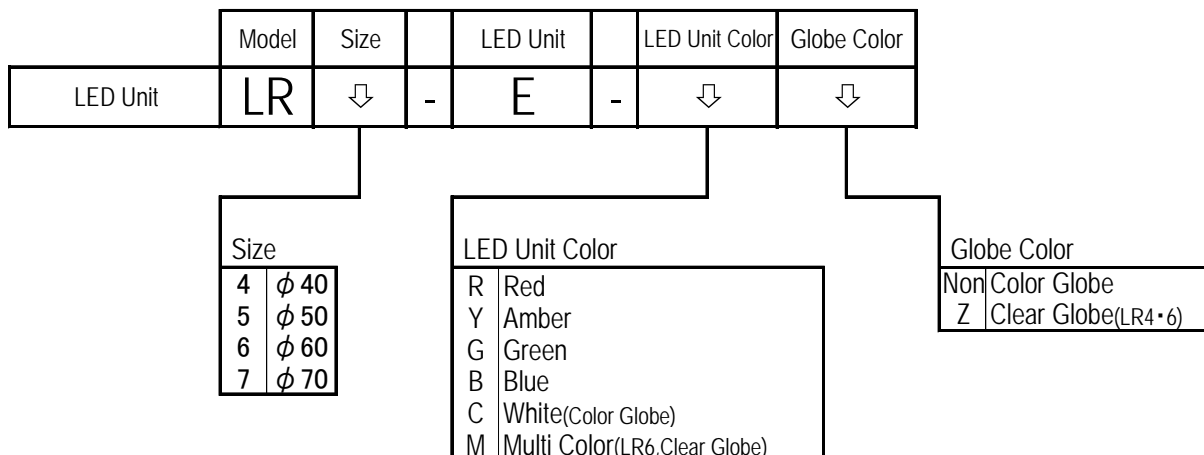
# SPECIFICATIONS

## 1. General Specifications

Model		LR□-E-□□
Operating Ambient Temperature		-20°C ~ +50°C
Operating Ambient Humidity		Less than 90% RH (No Condensation)
Mass (Tolerance ±10%)	LR4	0.035kg
	LR5	0.04kg
	LR6	0.06kg
	LR7	0.065kg
Outer Dimensions		Refer to the 3.Outer Dimensions
Conformity Standards		UL 508, CSA-C22.2 No. 14 EMC Directive (EN 61000-6-4, EN 61000-6-2) RoHS Directive (EN 50581)
Remarks		Due to the characteristics of the LED elements, a variation in difference of the color tone and brightness of every product may occur UL Recognized Component (File No.E215660)

## 2. Model

### 2.1.1 Model Number Configuration



### 2.1.2 Model Number Example

LED Unit	LR4-E-C ● φ 40 ● LED Unit ● White ● Color Globe(Clear)
	LR4-E-YZ ● φ 40 ● LED Unit ● Amber ● Clear Globe
	LR5-E-R ● φ 50 ● LED Unit ● Red ● Color Globe(Red)
	LR6-E-MZ ● φ 60 ● LED Unit ● Multi Color ● Clear Globe

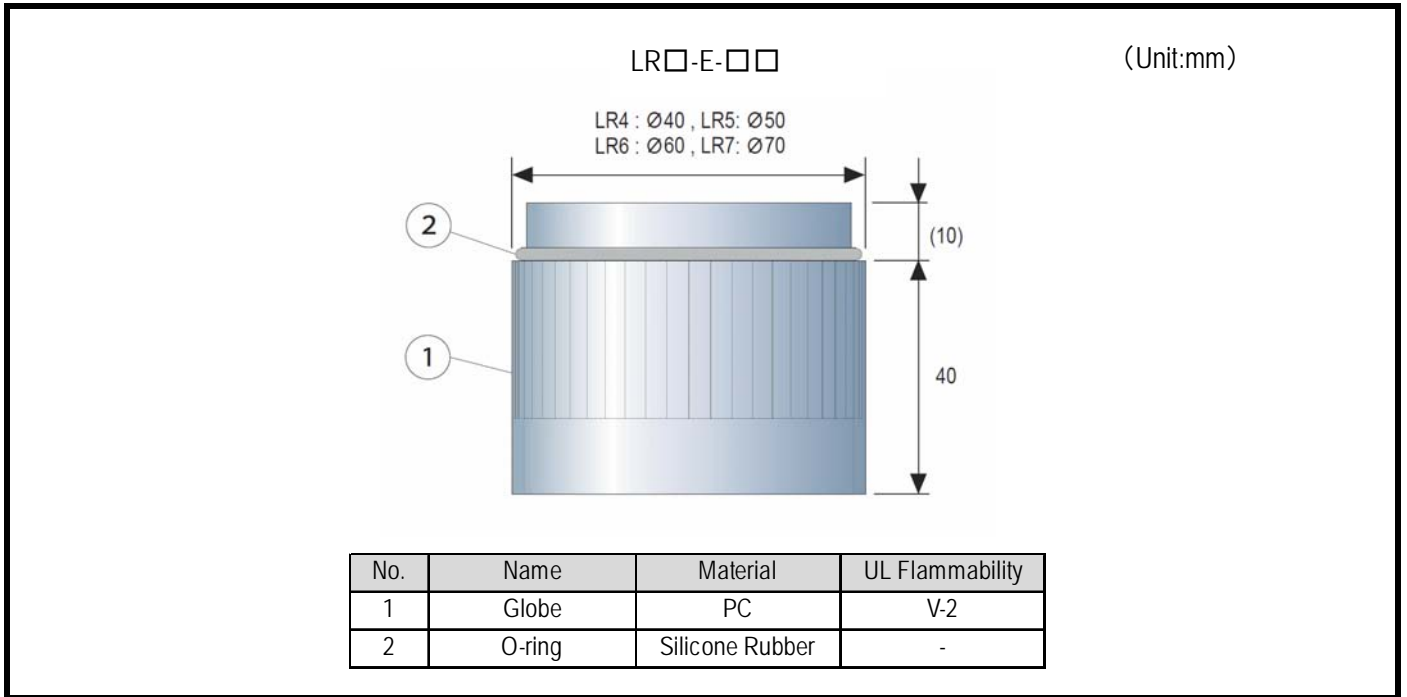
### 2.2 UL Registered Model

LED Unit	LR4-E-_, LR5-E-_, LR6-E-_, LR7-E-_
----------	------------------------------------

LR-E-W18C-1\_5

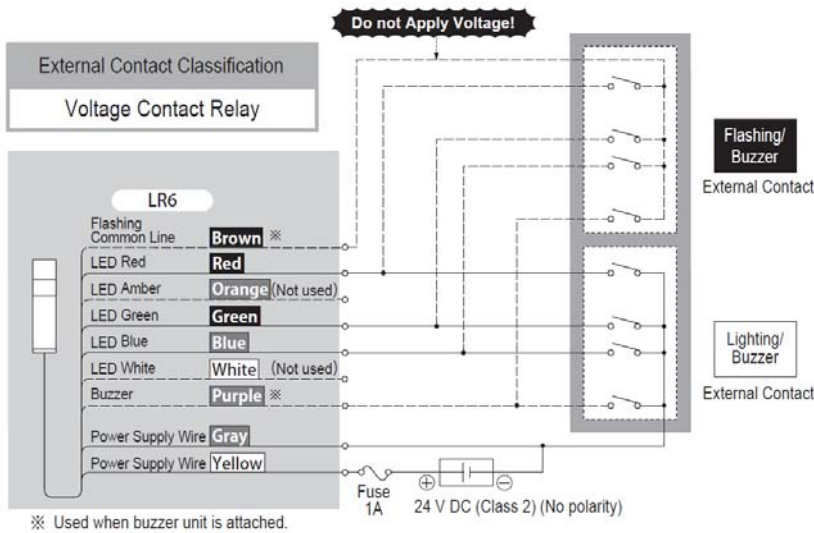
# PATLITE Corporation

### 3.Outer Dimensions



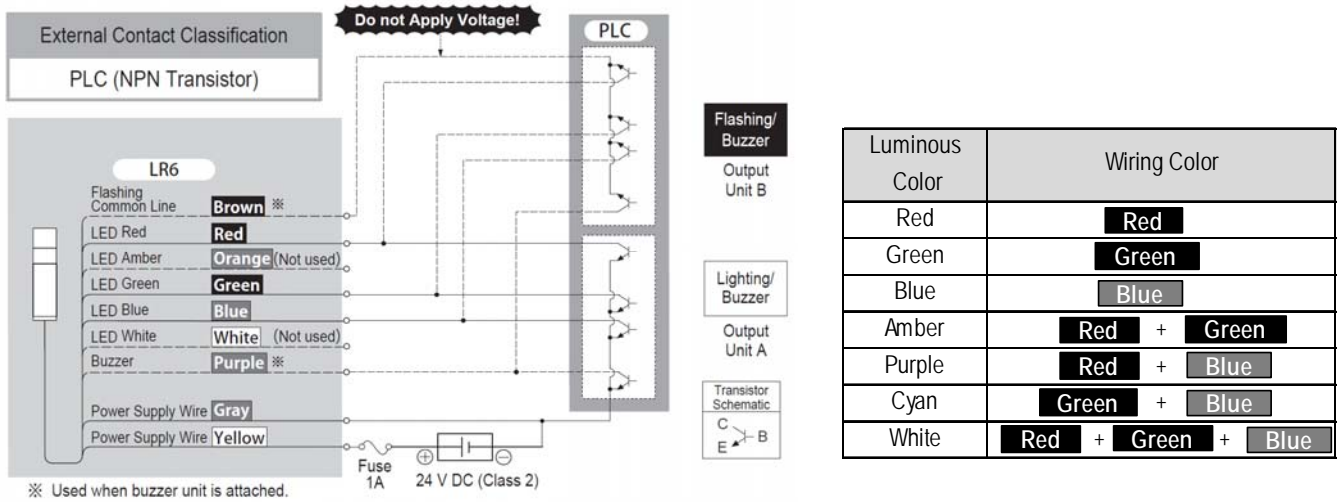
### 4.Multi Color LED Unit (LR6-E-MZ) Wiring Diagram

#### 4.1.1 【LR6-02】Voltage Contact Relay Wiring Example

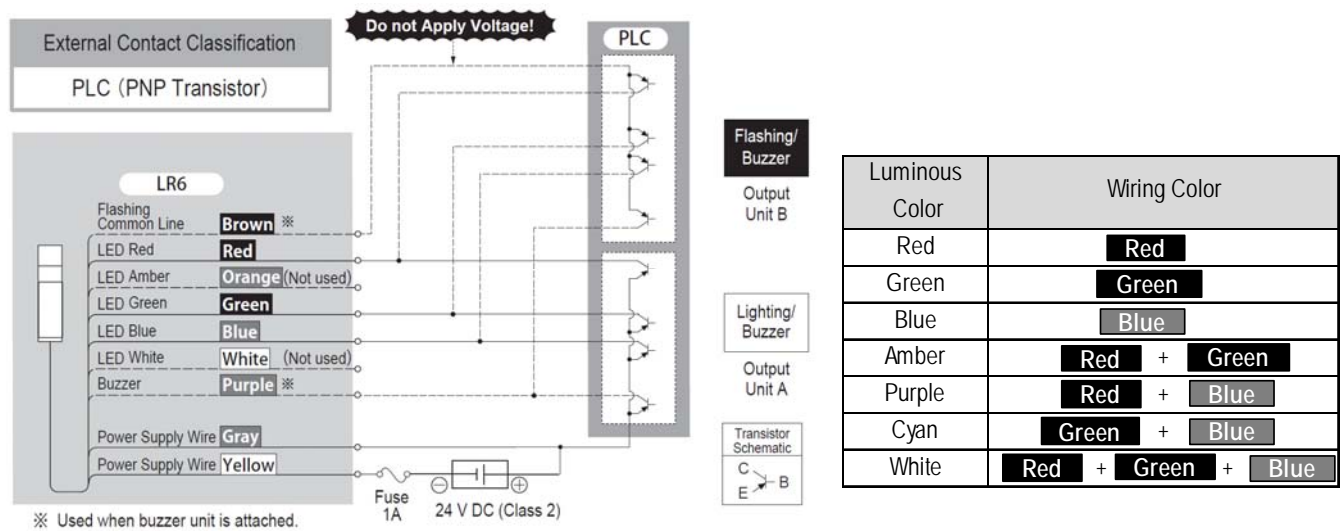


Luminous Color	Wiring Color
Red	<b>Red</b>
Green	<b>Green</b>
Blue	<b>Blue</b>
Amber	<b>Red</b> + <b>Green</b>
Purple	<b>Red</b> + <b>Blue</b>
Cyan	<b>Green</b> + <b>Blue</b>
White	<b>Red</b> + <b>Green</b> + <b>Blue</b>

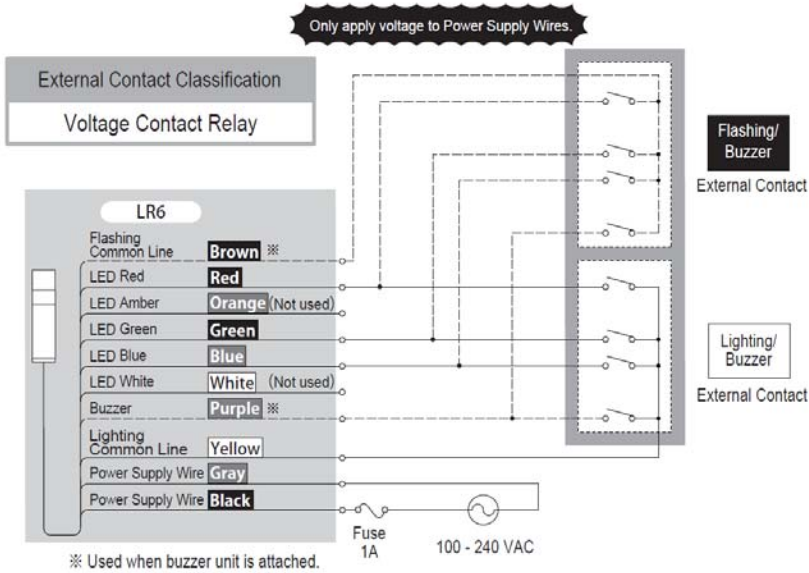
#### 4.1.2 【LR6-02】PLC(NPN Transistor) Wiring Example



#### 4.1.3 【LR6-02】PLC(PNP Transistor) Wiring Example

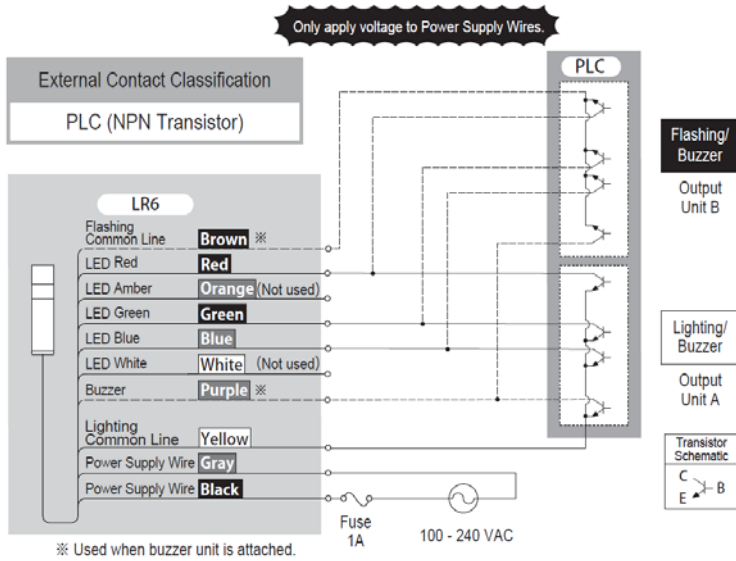


#### 4.2.1 【LR6-M2】Voltage Contact Relay Wiring Example



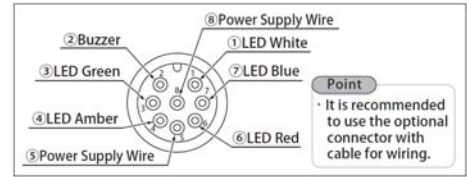
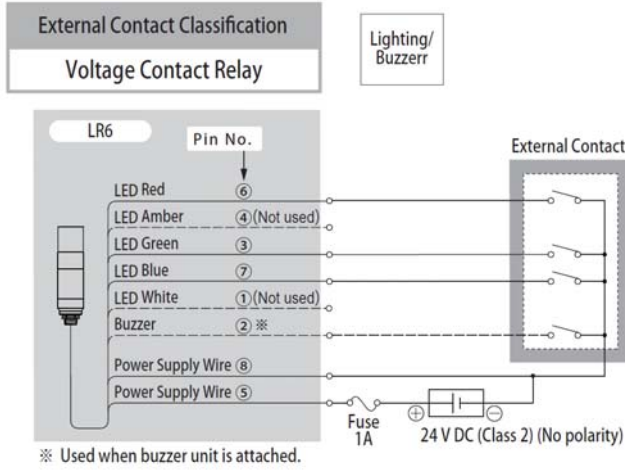
Luminous Color	Wiring Color
Red	<b>Red</b>
Green	<b>Green</b>
Blue	<b>Blue</b>
Amber	<b>Red</b> + <b>Green</b>
Purple	<b>Red</b> + <b>Blue</b>
Cyan	<b>Green</b> + <b>Blue</b>
White	<b>Red</b> + <b>Green</b> + <b>Blue</b>

#### 4.2.2 【LR6-M2】PLC(NPN Transistor) Wiring Example



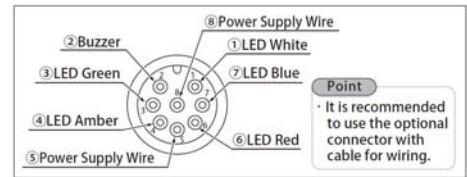
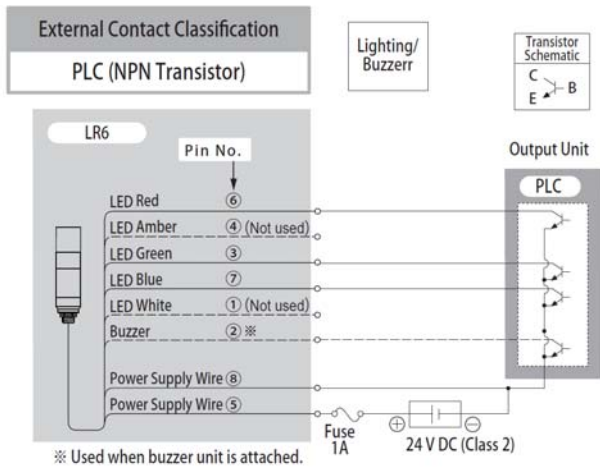
Luminous Color	Wiring Color
Red	<b>Red</b>
Green	<b>Green</b>
Blue	<b>Blue</b>
Amber	<b>Red</b> + <b>Green</b>
Purple	<b>Red</b> + <b>Blue</b>
Cyan	<b>Green</b> + <b>Blue</b>
White	<b>Red</b> + <b>Green</b> + <b>Blue</b>

### 4.3.1 【LR6-02WC】Voltage Contact Relay Wiring Example



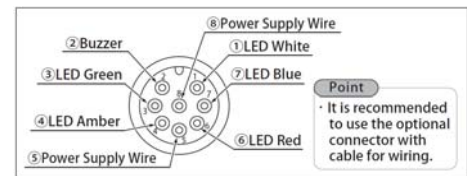
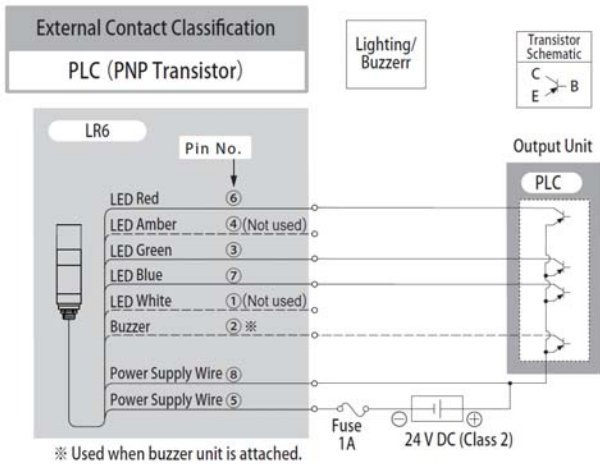
Luminous Color	M12 Connector Pin No.
Red	⑥
Green	③
Blue	⑦
Amber	⑥ + ③
Purple	⑥ + ⑦
Cyan	③ + ⑦
White	⑥ + ③ + ⑦

### 4.3.2 【LR6-02WC】PLC(NPN Transistor) Wiring Example



Luminous Color	M12 Connector Pin No.
Red	⑥
Green	③
Blue	⑦
Amber	⑥ + ③
Purple	⑥ + ⑦
Cyan	③ + ⑦
White	⑥ + ③ + ⑦

### 4.3.3 【LR6-02WC】PLC(PNP Transistor) Wiring Example



Luminous Color	M12 Connector Pin No.
Red	⑥
Green	③
Blue	⑦
Amber	⑥ + ③
Purple	⑥ + ⑦
Cyan	③ + ⑦
White	⑥ + ③ + ⑦