

SAI-4-S 5P FC**Weidmüller Interface GmbH & Co. KG**

Klingenbergstraße 16

D-32758 Detmold

Germany

Fon: +49 5231 14-0

Fax: +49 5231 14-292083

www.weidmueller.com



Whereas the standard M12 system requires the sleeves to be laboriously screwed on and that operation is hindered by the vibration guard, M12 Push-Pull works with one click, just like those well-known garden hose systems. The audible locking function guarantees a safe and reliable connection as well as a good seal. The new SAI M12 Push-Pull distributors can be used with M12 plug-in connectors but also with the new M12 Push-Pull plug-in connectors.

General ordering data

Type	SAI-4-S 5P FC
Order No.	1847970000
Version	Sensor-actuator passive distributor, Push-Pull, M12, with M23 outlet, Yes
GTIN (EAN)	4032248369164
Qty.	1 pc(s).

SAI-4-S 5P FC

Weidmüller Interface GmbH & Co. KG
 Klingenbergstraße 16
 D-32758 Detmold
 Germany
 Fon: +49 5231 14-0
 Fax: +49 5231 14-292083
 www.weidmueller.com

Technische Daten

Dimensions and weights

Length	116 mm	Width	54 mm
Height	34.3 mm	Net weight	181 g

General data

Number of contact sockets	4	Fire behaviour	V-0
Contact tube diameter	M12	No. of poles	5
Pollution severity	3	Distributor outlet	with M23 outlet
Insulation resistance	10 ⁹ Ω	Rated voltage , max.	30 V
Rated voltage , min.	10 V	Electrical isolation available	No
Test voltage	1 kV	Current per signal	2 A
Total current	9 A	Max. current-carrying capacity per slot	4 A
Housing main material	PA 6 GF	Housing colour	grey, RAL 7032
Screw socket	CuZn, nickel-plated	Contact material	CuZn
Contact surface	Gold-plated	Contact carrier material	PBT (UL 94 V0)
Sheathing stripping length	100 mm	Conductor O.D.	-
LED initiator	Yes	LED	Yes
LED colour for indicating operation	green	LED colour for I/O function	yellow

Classifications

ETIM 3.0	EC001856	UNSPSC	30-21-18-01
eClass 6.2	27-06-91-90	eClass 7.1	27-06-91-90

Approvals

Approvals



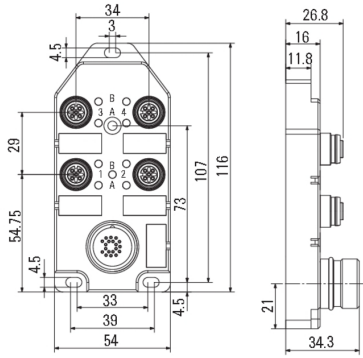
ROHS Conform

SAI-4-S 5P FC

Weidmüller Interface GmbH & Co. KG
Klingenbergstraße 16
D-32758 Detmold
Germany
Fon: +49 5231 14-0
Fax: +49 5231 14-292083
www.weidmueller.com

Zeichnungen

Dimensioned drawing



Circuit diagram

