



Connectors > Connector Backshells & Adapters > Screened Backshells & Adapters



Backshell Material: **303 Stainless Steel**

Connector System: **Cable-to-Cable**

Adapter Plating Material: **Passivated (SAE AMS-QQ-P-35 or MIL-S-5002)**

Termination Device Type: **CRES/SST Bands**

Features

Product Type Features

Connector System	Cable-to-Cable
Termination Device Type	CRES/SST Bands

Body Features

Backshell Material	303 Stainless Steel
Adapter Plating Material	Passivated (SAE AMS-QQ-P-35 or MIL-S-5002)

Product Compliance

[For compliance documentation, visit the product page on TE.com>](#)

EU RoHS Directive 2011/65/EU	Compliant
EU ELV Directive 2000/53/EC	Compliant
China RoHS 2 Directive MIIT Order No 32, 2016	No Restricted Materials Above Threshold
EU REACH Regulation (EC) No. 1907/2006	Current ECHA Candidate List: JAN 2021 (211) Candidate List Declared Against: JAN 2021 (211) Does not contain REACH SVHC
Halogen Content	Low Halogen - Br, Cl, F, I < 900 ppm per homogenous material. Also BFR/CFR/PVC Free
Solder Process Capability	Not applicable for solder process capability

Product Compliance Disclaimer

This information is provided based on reasonable inquiry of our suppliers and represents our current actual knowledge based on the information they provided. This information is subject to change. The part numbers that TE has identified as EU RoHS compliant have a maximum concentration of 0.1% by weight in homogenous materials for lead, hexavalent chromium, mercury, PBB, PBDE, DBP, BBP, DEHP, DIBP, and 0.01% for cadmium, or qualify for an exemption to these limits as defined in the Annexes of Directive 2011/65/EU (RoHS2). Finished electrical and electronic equipment products will be CE marked as required by Directive 2011/65/EU. Components may not be CE marked. Additionally, the part numbers that TE has identified as EU ELV compliant have a maximum concentration of 0.1% by weight in homogenous materials for lead, hexavalent chromium, and mercury, and 0.01% for cadmium, or qualify for an exemption to these limits as defined in the Annexes of Directive 2000/53/EC (ELV). Regarding the REACH Regulation, the information TE provides on SVHC in articles for this part number is based on the latest European Chemicals Agency (ECHA) 'Guidance on requirements for substances in articles' posted at this URL: <https://echa.europa.eu/guidance-documents/guidance-on-reach>

Compatible Parts



TE Part # CAT-BTA1-A
Banding Backshell: Band Strap, BT Series Shell Size 8



TE Part # CJ2087-000
HL2010E-KIT-120V

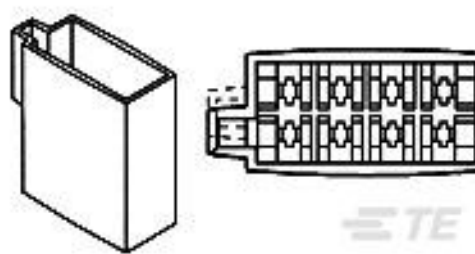
Customers Also Bought



TE Part #2102352-2
CeeLok FAS-T, Receptacle Kit, ZnNi



TE Part #2102352-1
CeeLok FAS-T, Receptacle Kit, Ni



TE Part #106455-3
FF 110 PLUG HSG 8P.



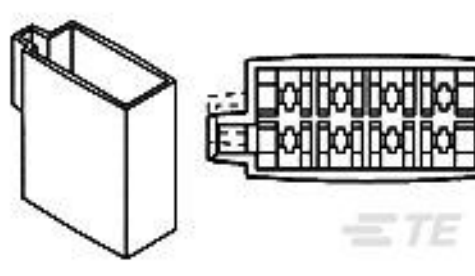
TE Part #2102343-2
CeeLok FAS-T, Recept Kit, Sq, ZnNi



TE Part #160927-2
FF 250 REC 1.0-2.5MM2 TPBR



TE Part #205558-3
AMPLIMITE,ASY,PLUG,STD,109,2,KIT



TE Part #106455-4
FF 110 PLUG HSG 8P.



TE Part #1452409-1
2-NDRY F.58P CONNECTOR



Documents

Product Drawings

[Screen Terminaton Band](#)

English

Datasheets & Catalog Pages

[5-1654025-5_sec6_Adapters](#)

English

[Circular Backshells](#)

English

Product Specifications

[General Information Package for BNDXXA \(Band Strap\) Adapters](#)

English