

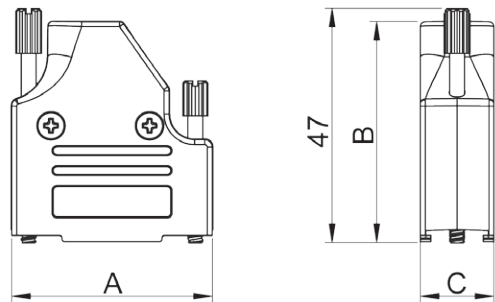
TECHNICAL SPECIFICATIONS

D-Sub Hood:

Material: Zinc, Nickel Plated
 Operating Temperature: -40°C to +120°C
 Cable Entry: Side Entry 35°
 Thumbscrews: UNC 4-40 (Standard)
 Cable O.D: Up to 13mm

D-Sub High Density:

Insulator: PBT, White, UL94 V-0
 Shell: Stamped Steel, Tin Plated
 Contact pins: Copper Alloy
 Stamped & Formed pins: 100 inserts min
 Contacts Plating: Selective Gold over Nickel
 Operating Temperature: -55°C to +105°C
 Withstanding voltage: 500V for 1 minute
 Insulator resistance: 500MΩ min



Features:

- Available in sizes HD15-26-44-62
- 360° EMI Shielding
- Quick assembly
- Supports all types of cables
- Suitable for any common D-Sub connector

Size MHDM35	Dim A	Dim B	Dim C
9-way	43,0	32,0	15,5
15-way	43,0	40,4	15,5
25-way	48,0	54,0	15,5
37-way	53,0	70,5	15,5

Ordering information:

Class 3 D-Sub Connector Kits (100 inserts min.)

Size:	P/N - Kitted:	Product Code - MALE Conn. Kit
HD 15	6355-8060-01	MHDM35-09-HDP15-W-K
HD 26	6355-8060-02	MHDM35-15-HDP26-W-K
HD 44	6355-8060-03	MHDM35-25-HDP44-W-K
HD 62	6355-8060-04	MHDM35-37-HDP62-W-K

Size:	P/N - Kitted:	Product Code - FEMALE Conn. Kit
HD 15	6355-8060-11	MHDM35-09-HDS15-W-K
HD 26	6355-8060-12	MHDM35-15-HDS26-W-K
HD 44	6355-8060-13	MHDM35-25-HDS44-W-K
HD 62	6355-8060-14	MHDM35-37-HDS62-W-K

