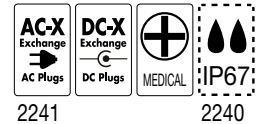


2241 - exchangeable/utskiftbare AC plugs

- 3-step charge control with current detection as charge termination
- Universal input voltage (90-264 VAC)
- 2-pin IEC 320 mains connector
- Mounting bracket available
- Order mains cord separately
- Exchangeable AC and DC plugs
- Waterproof (IP67) version available
- Approvals:
 - Medically certified (EN 60601)
 - UL approved (UL 60601-1)
 - For updates: see www.mascot.no
- 3-trinns ladekontroll med strømdeleksjon som ladestopp
- og universal inngangsspenning (90-264 VAC)
- 2-pin IEC 320 nettkontakt
- Kan leveres med festebrakett
- Nettledning best. separat
- Utskiftbare AC og DC plugger
- Vanntett (IP67) versjon kan leveres
- Godkjenninger:
 - Medisinsk sertifisert (EN 60601)
 - UL godkjent (UL 60601-1)
 - For oppdat.: se www.mascot.no



2241

2240

Technical specifications

Tekniske data

12 V*

Input voltage:	Inngangsspenning:	90-264 VAC
Line Frequency:	Frekvensområde:	47 – 63Hz
Switch frequency, approx.:	Svitsjefrekvens ca.:	40kHz
Leakage current from battery with mains switched off:	Strømtrekk fra batteri ved frakoblet nett:	≈ 0
Temperature range	Temperaturområde:	
• operating:	• drift:	-25°C - +40°C
• storage:	• lagring:	-25°C - +85°C
Ripple:	Rippel:	< 100 mV p-p
Efficiency (at 100% load, 230V):	Virkningsgrad (100% last, 230V):	78%
Protection:	Beskyttelse:	Protected against reversed polarity and short circuit proof Polvendings- og kortslutningssikker
Insulation class:	Isolasjonsklasse:	II
Insulation voltage:	Isolasjonsspenning:	
Primary – secondary:	Primær - sekundær:	4000VAC / 5640VDC
Electrical safety:	Elektrisk sikkerhet:	EN 60950, EN 60601-1, EN 60335-2-29, UL 2601-1
EMC standards	EMC standarder	
• Medical:	• Medisinsk:	EN 60601-1-2
• Emission:	• Emisjon:	EN 61000-6-3
• Immunity:	• Immunitet:	EN 61000-6-1
Reliability (MIL-HDBK-217F):	Pålitelighet (MIL-HDBK-217F):	MTBF > 250.000h at 30°C and full load
Output terminals:	Utgangsterminaler:	Cord with/without plug Sekundærledning med / uten plugg
IP-code:	IP-grad:	4X
Dimensions (LxWxH):	Mål (LxBxH):	90 x 45 x 32mm (2240)
Weight:	Vekt:	115g (215g IP67 vers.) 2241:140g

* Some technical specifications may differ for other voltage versions. / Visse tekniske data kan variere for de forskjellige spenningsversjoner.

Charge control - Ladekontroll

			6V	12V	24V	36V (2241)	48V
	Max. output power	Maks. utgangseffekt	9,5W	14,7W	14,7W	15,4W	14,7W
Step 1	Charge Current (orange)	Ladestrøm (orange)	1,3A +5/-7%	1,0A +5/-7%	0,5A +5/-7%	0,35A +5/-7%	270mA +5/-7%
Step 2	Charge Voltage (orange)	Ladespenning (orange)	7,35V	14,7V	29,4V	44,1V	58,8V
Step 3	Charge Termination I< (green)	Ladestopp I< (grønn)	250mA ±20%	250mA ±20%	250mA ±20%	150mA ±20%	100mA ±20%
	Standby voltage:	Vedlikeholdsspenning:	6,85V	13,7V	27,4V	41,1V	54,8V
	Recommended battery capacity	Anbefalt batterikapasitet	4-12Ah	3-12Ah	1,5-12Ah	1-7,5Ah	0,8-5Ah



Exchangeable AC plug models

Modeller med utskiftbare AC pluggar

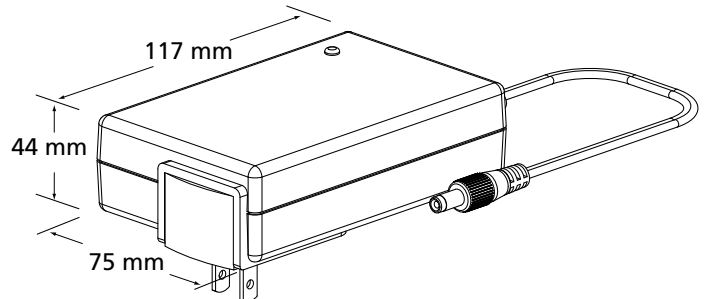
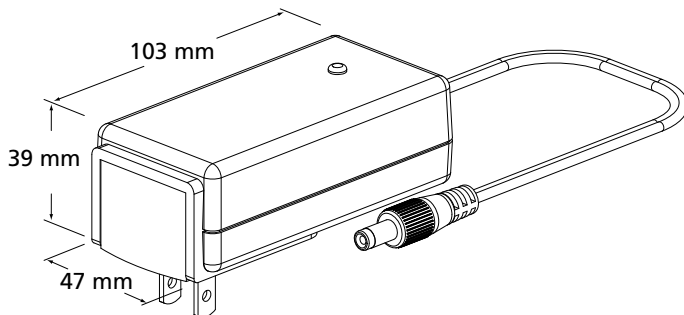
Available as / Tilgjengelig som:

Small housing / liten boks		
Base model / Grunnmodell		w exch. AC plug
Type	Description / Beskrivelse	Type
2121	AC/DC PSU, max 10W	2123
2124	AC/DC PSU, max 16W	2126
2115	NiMH battery charger, max 1,3A	2116
2240	Lead Acid batt. charger, max 1,3A	2241
2240 LI	Li-Ion batt. charger, max 1,3A	2241 LI
Additional housing weight (excl. plug/cord) +15 g Tilleggsvekt (uten plugg/ledning) +15 g		

Medium housing / medium boks		
Base model / Grunnmodell		w exch. AC plug
Type	Description / Beskrivelse	Type
9921	AC/DC PSU, max 40W	9926
2720	AC/DC PSU, max 40W	2721
2541	Lead Acid batt. charger, max 2,2A	2542
9940	Lead Acid batt. charger, max 2,3A	9941
2215	NiMH battery charger, max 35W	2216
9940 LI	Li-Ion batt. charger, max 2,3A	9941 LI
2541 LI	Li-Ion batt. charger, max 2,7A	2542 LI
Additional housing weight (excl. plug/cord) +27 g Tilleggsvekt (uten plugg/ledning) +27 g		



IEC 320 mains cord / nettleddning 1800mm EU part no. 131306,
 UK part no. 131148, US part no. 131147, AU part no. 013108



EXCHANGEABLE AC PLUG ADAPTERS

