

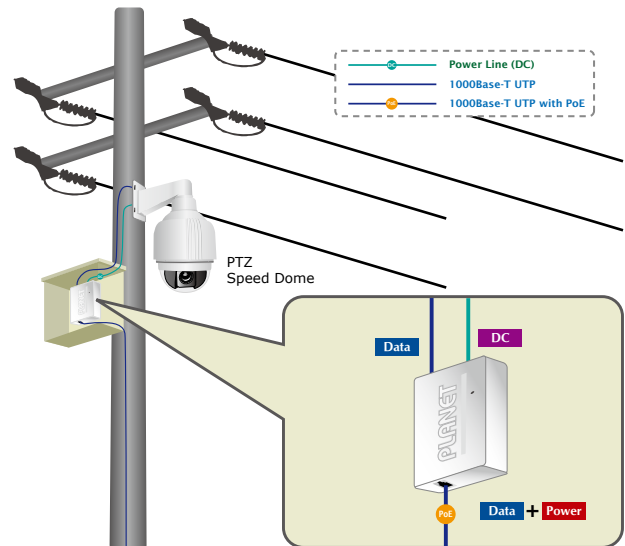
# IEEE 802.3at Gigabit High Power over Ethernet Splitter



Nowadays, PLANET has released next generation of Power over Ethernet Splitter product – **POE-162S, compliant** with brand-new **IEEE 802.3at High Power over Ethernet** standard that support 25.5 Watts for maximum input power of per device. The POE-162S provides the following key features:

- IEEE 802.3at Power over Ethernet Standard Compliant
- 12V / 24V DC Power Output Through DIP Switch
- Passive 10/100/1000Mbps Duplex Mode Support
- Quick and Easy High Power PoE Network Deployment

The POE-162S is an **IEEE 802.3at High Power over Ethernet Splitter** that can split the 52 ~ 56V DC over the Ethernet cable into selectable **12V** or **24V** DC power output. It is designed specifically to fill the growing demand of higher power required network equipments such as **PTZ (Pan, Tilt & Zoom)** network cameras, **PTZ Speed** Dome camera, color touch- screen / Video and Voice over IP (VoIP) telephones, multi- channel (11a / b / g / n) wireless LAN access points and other network devices that need to work normally by higher power feeding than power via current IEEE 802.3af PoE standard. The **POE-162S High Power Splitter** is an ideal solution to transfer power to the network device with high power demand directly via the RJ-45 Port interface without the need to install power outlets and electrical cabling.



### Quick and Easy High Power PoE Network Deployment

The POE-162S (Splitter) can work with the IEEE 802.3at Gigabit Power over Ethernet devices like POE-161, High Power PoE Switch and Media Converter (Injector, insert DC Voltage into Cat.5/5e/6 cable) to transfer data and power simultaneously into the end device. The POE-161, High Power Switch and Media Converter can combine the Ethernet digital data with power over the twisted pair cables as an IEEE 802.3at Gigabit Power over Ethernet Injector; and the POE-162S shall separate the digital data and the power into 12V / 24V DC power outputs. The maximum distance between the high power PoE injector and the splitter (POE-162S) is 100 meters. Unlike current Power over Ethernet Splitter, the POE-162S also supports passive 10/100/1000Mbps Ethernet connection ability.



With IEEE 802.3at Gigabit High Power over Ethernet devices installed, the system administrator only has to use one single RJ-45 Ethernet cable to carry both power and data to each device. Besides, to connect through the high power PoE injector and the POE-162S, you could also have benefits including cost saving, easier for networking planning and higher reliability. Upon IEEE 802.3at compliant devices are installed, the high power PoE injector working together with the POE-162S can make the connection while migrating or splitting the power and the Ethernet digital packets.

## KEY FEATURES

### INTERFACE

- 2-Port RJ-45 interfaces
  - 1-Port PoE Power+ Data input
  - 1-Port Data output
- 1 DC output plug connector

### POE

- Complies with IEEE 802.3at Power over Ethernet PD
- Splits the 52 ~ 56V DC power over RJ-45 Ethernet cable into DC 12V / 24V output
- Up to 1 non-IEEE 802.3at device can be powered
- Auto-detect of PoE IEEE 802.3at equipment, protects devices from being damaged by incorrect installation
- Adjustable two different output voltage options (12V / 2A, 24V / 1A) to fit various devices
- Distance up to 100 meters

### HARDWARE

- Plastic case
- 12V / 24V DIP switch
- LED indicators power input indication

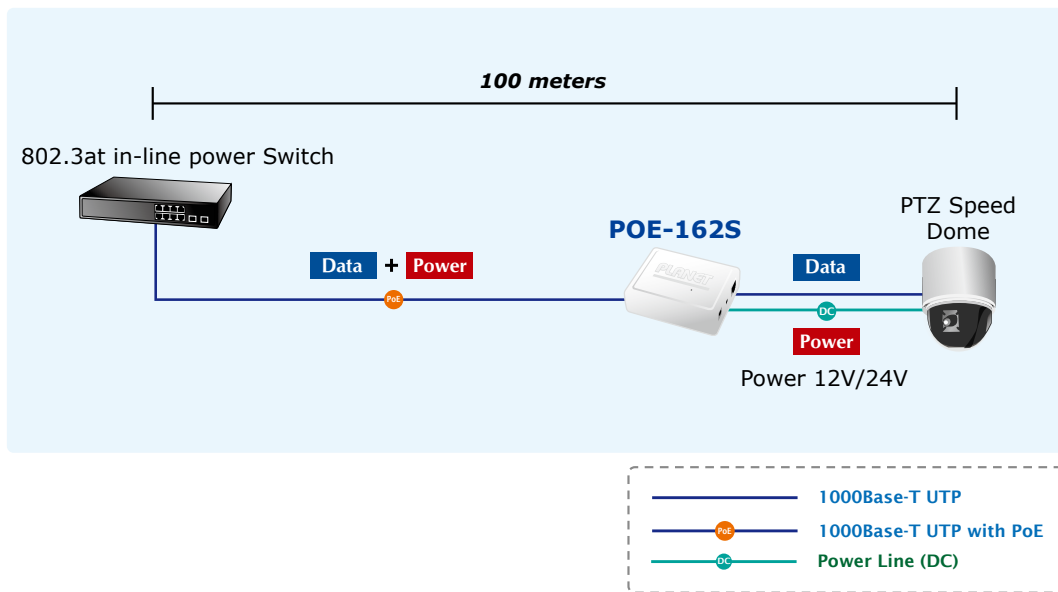
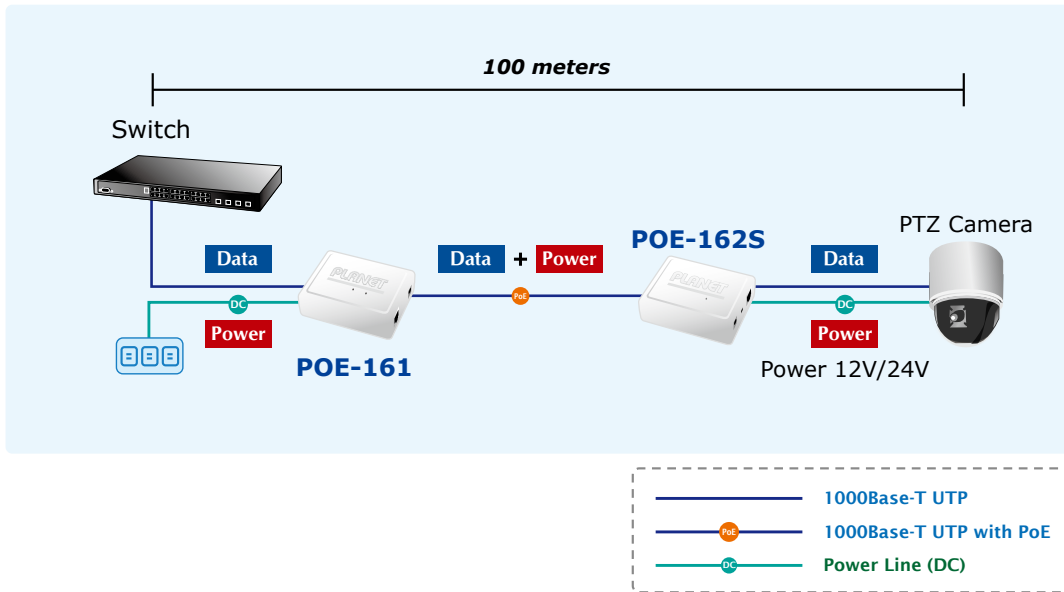
### STANDARD COMPLIANCE

- IEEE 802.3 10Base-T
- IEEE 802.3u 100Base-TX
- IEEE 802.3ab 1000Base-T
- IEEE 802.3at Power over Ethernet standard
- FCC Part 15 Class A, CE

**APPLICATIONS**

*The IEEE 802.3at Injector and Splitter Installation*

Due to the capability of IEEE 802.3at standard, the POE-162S can co-work with the IEEE 802.3at Gigabit PoE injector devices like POE-161, High Power Switch or High Power Media Converter and transform non-PoE equipment to IEEE 802.3at PoE application. For a place which is hard to find the power inlet, the High Power PoE devices and the POE-162S operate as a pair, it provides the most easiest way to power your Ethernet devices that need high power input, such as PTZ (Pan, Tilt & Zoom) network cameras, PTZ Speed Dome Camera, color touch- screen Voice over IP (VoIP) telephones, and multi- channel wireless LAN access points.



**SPECIFICATION**

Product	<b>IEEE 802.3at Gigabit High Power over Ethernet Injector (Mid-Span)</b>	
Model	<b>POE-162S</b>	
<b>Hardware Specification</b>		
Interface	"PoE (Power + Data)" Input Port	1 x RJ-45 STP
	"Data" Output Port	1 x RJ-45 STP
	DC Out Plug Connector	1
LED Indicator	System: PoE In x 1 (Green)	
Network Cable	10Base-T: 2-Pair UTP Cat. 3, 4, 5, up to 100m (328ft) 100Base-TX: 2-Pair UTP Cat. 3, 4, 5, up to 100m (328ft) 1000Base-T: 2-Pair UTP Cat. 5, 5e, 6 up to 100m (328ft) EIA/TIA- 568 100-ohm STP (100m)	
Data Rate	10/100/1000Mbps (vary on Ethernet device attached)	
DIP Switch	12V DC / 24V DC output voltage	
Power Input	802.3at PoE 52 ~ 56V DC	
<b>Power over Ethernet</b>		
PoE Standard	IEEE 802.3at High Power over Ethernet	
Number of client device can be powered	1	
Power Output	12V DC, 2A max. 24V DC, 1A max.	
DC Plug connectors (Diameter)	2 external female plug cables:	
	-	5.5 / 2.5mm to 5.5 / 2.5mm 5.5 / 2.5mm to 5.5 / 2mm
<b>Standards Conformance</b>		
Standards Compliance	IEEE 802.3 10Base-T Ethernet IEEE 802.3u 100Base-TX Fast Ethernet IEEE 802.3ab 1000Base-T Gigabit Ethernet IEEE 802.3at High Power over Ethernet	

**ORDERING INFORMATION**

<b>POE-162S</b>	IEEE 802.3at Gigabit High Power over Ethernet Splitter
-----------------	--------------------------------------------------------

**RELATED PRODUCT**

<b>POE-161</b>	IEEE 802.3at Gigabit High Power over Ethernet Injector (10/100/1000Mbps, Mid-Span, 30 Watts)
----------------	----------------------------------------------------------------------------------------------