

- 1
- 2
- 3
- 4
- 5
- 6
- 7
- 8
- 9
- 10
- 11
- 12
- 13
- 14
- 15
- 16
- 17
- 18

STANDARD EXECUTIONS

Base with stainless steel 304 threaded blind ball joint:

- LMP.F-SST (d): without no-slip disk.
 - LMP.F-SST-TR (d): with thermoplastic elastomer no-slip coating (TPE)
 - LMP.F-SST-TV (d): with vulcanised rubber (NBR) with no-slip coating hardness 70 tolerance +/-5 Shore A.
- AISI 304 stainless steel base and nut, AISI 303 stainless steel threaded stem:
- LMP.F-SST (d - l): without no-slip disk.
 - LMP.F-SST-TR (d - l): with thermoplastic elastomer no-slip coating (TPE)
 - LMP.F-SST-TV (d - l): with vulcanised rubber (NBR) with no-slip coating hardness 70 tolerance +/-5 Shore A.

Base, threaded stem and nut in AISI 316L stainless steel:

- LMP.F-A4 (d - l): without no-slip disk.
- LMP.F-A4-TR (d - l): with thermoplastic elastomer no-slip coating (TPE)
- LMP.F-A4-TV (d - l): with vulcanised rubber (NBR) with no-slip coating hardness 70 tolerance +/-5 Shore A.

SET SCREW

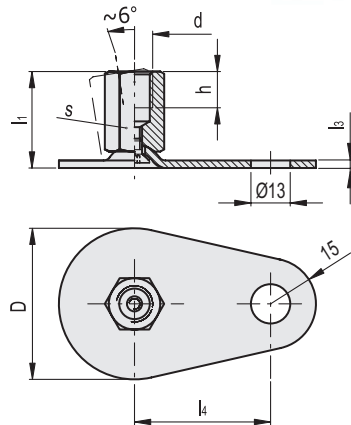
AISI 304 stainless steel.

FEATURES

The resistance of the levelling feet to a static load is obviously limited by the permissible load capacity of the rod (steel strength class 500 N/mm²).

The static load values in the table below are the result of laboratory tests in which the load has been applied perpendicularly to the base. Such values have to be considered as purely indicative and must be verified under the specific conditions of use.

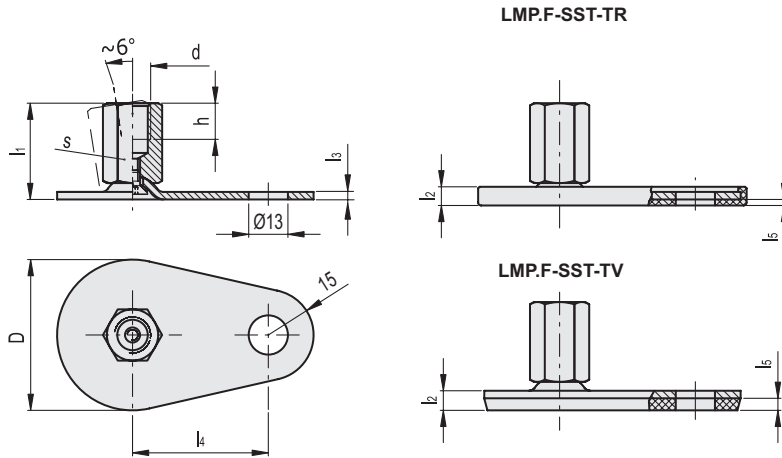
Under common working conditions, side or angular loading increases the stress on the levelling element and reduces its load capacity. It's the user's responsibility to determine, case by case, whether the product is suitable for the intended use.



LMP.F-SST (d)

| Code | Description | D | d | l1 | l3 | l4 | h | s | Max. limit static load [N] | ⚖️ |
|--------|------------------|----|-----|----|-----|----|----|----|----------------------------|-----|
| 405131 | LMP.F-50-SST-M8 | 50 | M8 | 25 | 2.5 | 45 | 8 | 14 | 8000 | 90 |
| 405132 | LMP.F-50-SST-M10 | 50 | M10 | 28 | 2.5 | 45 | 10 | 14 | 14000 | 90 |
| 405133 | LMP.F-50-SST-M12 | 50 | M12 | 32 | 2.5 | 45 | 12 | 17 | 14000 | 119 |
| 405134 | LMP.F-50-SST-M16 | 50 | M16 | 37 | 2.5 | 45 | 16 | 22 | 14000 | 125 |
| 405190 | LMP.F-60-SST-M8 | 60 | M8 | 25 | 2.5 | 50 | 8 | 14 | 8000 | 110 |
| 405191 | LMP.F-60-SST-M10 | 60 | M10 | 28 | 2.5 | 50 | 10 | 14 | 14000 | 110 |
| 405192 | LMP.F-60-SST-M12 | 60 | M12 | 32 | 2.5 | 50 | 12 | 17 | 16000 | 170 |
| 405193 | LMP.F-60-SST-M16 | 60 | M16 | 37 | 2.5 | 50 | 16 | 22 | 16000 | 500 |
| 405249 | LMP.F-80-SST-M8 | 80 | M8 | 26 | 3 | 70 | 8 | 14 | 8000 | 182 |
| 405250 | LMP.F-80-SST-M10 | 80 | M10 | 29 | 3 | 70 | 10 | 14 | 14000 | 200 |
| 405251 | LMP.F-80-SST-M12 | 80 | M12 | 32 | 3 | 70 | 12 | 17 | 20000 | 220 |
| 405252 | LMP.F-80-SST-M16 | 80 | M16 | 38 | 3 | 70 | 16 | 22 | 20000 | 260 |
| 405253 | LMP.F-80-SST-M20 | 80 | M20 | 45 | 3 | 70 | 20 | 27 | 20000 | 300 |

Levelling feet and supports



LMP.F-SST-TR (d)



| Code | Description | D | d | l1 | l2 | l3 | l4 | l5 | h | s | Max. limit static load [N] | ⚖️ |
|--------|---------------------|----|-----|----|----|-----|----|----|----|----|----------------------------|-----|
| 405161 | LMP.F-50-SST-M8-TR | 50 | M8 | 25 | 6 | 2.5 | 45 | 2 | 8 | 14 | 8000 | 90 |
| 405162 | LMP.F-50-SST-M10-TR | 50 | M10 | 28 | 6 | 2.5 | 45 | 2 | 10 | 14 | 14000 | 90 |
| 405163 | LMP.F-50-SST-M12-TR | 50 | M12 | 32 | 6 | 2.5 | 45 | 2 | 12 | 17 | 14000 | 115 |
| 405164 | LMP.F-50-SST-M16-TR | 50 | M16 | 37 | 6 | 2.5 | 45 | 2 | 16 | 22 | 14000 | 121 |
| 405220 | LMP.F-60-SST-M8-TR | 60 | M8 | 25 | 6 | 2.5 | 50 | 2 | 8 | 14 | 8000 | 110 |
| 405221 | LMP.F-60-SST-M10-TR | 60 | M10 | 28 | 6 | 2.5 | 50 | 2 | 10 | 14 | 14000 | 110 |
| 405222 | LMP.F-60-SST-M12-TR | 60 | M12 | 32 | 6 | 2.5 | 50 | 2 | 12 | 17 | 16000 | 170 |
| 405223 | LMP.F-60-SST-M16-TR | 60 | M16 | 37 | 6 | 2.5 | 50 | 2 | 16 | 22 | 16000 | 180 |
| 405284 | LMP.F-80-SST-M8-TR | 80 | M8 | 26 | 7 | 3 | 70 | 2 | 8 | 14 | 8000 | 199 |
| 405285 | LMP.F-80-SST-M10-TR | 80 | M10 | 29 | 7 | 3 | 70 | 2 | 10 | 14 | 20000 | 200 |
| 405286 | LMP.F-80-SST-M12-TR | 80 | M12 | 32 | 7 | 3 | 70 | 2 | 12 | 17 | 20000 | 220 |
| 405287 | LMP.F-80-SST-M16-TR | 80 | M16 | 38 | 7 | 3 | 70 | 2 | 16 | 22 | 20000 | 260 |
| 405288 | LMP.F-80-SST-M20-TR | 80 | M20 | 45 | 7 | 3 | 70 | 2 | 20 | 27 | 20000 | 200 |

LMP.F-SST-TV (d)

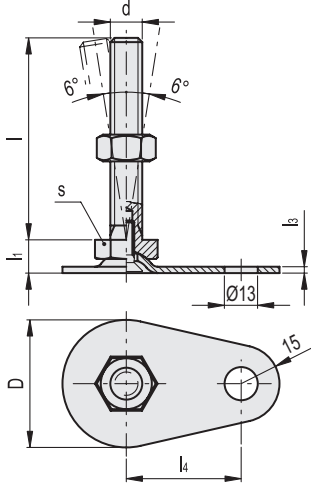


| Code | Description | D | d | l1 | l2 | l3 | l4 | l5 | h | s | Max. limit static load [N] | ⚖️ |
|--------|---------------------|----|-----|----|-----|-----|----|-----|----|----|----------------------------|-----|
| 403781 | LMP.F-50-SST-M8-TV | 50 | M8 | 25 | 6.5 | 2.5 | 45 | 4 | 8 | 14 | 8000 | 90 |
| 403782 | LMP.F-50-SST-M10-TV | 50 | M10 | 28 | 6.5 | 2.5 | 45 | 4 | 10 | 14 | 14000 | 94 |
| 403779 | LMP.F-50-SST-M12-TV | 50 | M12 | 32 | 6.5 | 2.5 | 45 | 4 | 12 | 17 | 14000 | 119 |
| 403780 | LMP.F-50-SST-M16-TV | 50 | M16 | 37 | 6.5 | 2.5 | 45 | 4 | 16 | 22 | 14000 | 125 |
| 403801 | LMP.F-60-SST-M8-TV | 60 | M8 | 25 | 7 | 2.5 | 50 | 4.5 | 8 | 14 | 8000 | 110 |
| 403802 | LMP.F-60-SST-M10-TV | 60 | M10 | 28 | 7 | 2.5 | 50 | 4.5 | 10 | 14 | 14000 | 120 |
| 403803 | LMP.F-60-SST-M12-TV | 60 | M12 | 32 | 7 | 2.5 | 50 | 4.5 | 12 | 17 | 16000 | 170 |
| 403799 | LMP.F-60-SST-M16-TV | 60 | M16 | 37 | 7 | 2.5 | 50 | 4.5 | 16 | 22 | 16000 | 170 |
| 403820 | LMP.F-80-SST-M8-TV | 80 | M8 | 26 | 8 | 3 | 70 | 5 | 8 | 14 | 8000 | 222 |
| 403821 | LMP.F-80-SST-M10-TV | 80 | M10 | 29 | 8 | 3 | 70 | 5 | 10 | 14 | 14000 | 200 |
| 403822 | LMP.F-80-SST-M12-TV | 80 | M12 | 32 | 8 | 3 | 70 | 5 | 12 | 17 | 20000 | 220 |
| 403823 | LMP.F-80-SST-M16-TV | 80 | M16 | 38 | 8 | 3 | 70 | 5 | 16 | 22 | 20000 | 260 |
| 403847 | LMP.F-80-SST-M20-TV | 80 | M20 | 45 | 8 | 3 | 70 | 5 | 20 | 27 | 20000 | 340 |

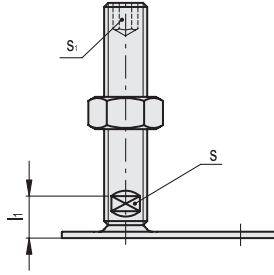


- 1
- 2
- 3
- 4
- 5
- 6
- 7
- 8
- 9
- 10
- 11
- 12
- 13
- 14
- 15
- 16
- 17
- 18

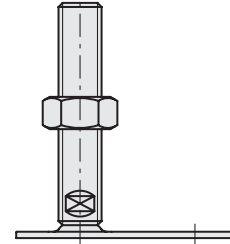
LMP.F-SST
LMP.F-A4
(M8, M10, M12)



LMP.F-SST
(M16, M20, M24)



LMP.F-A4
(M16, M20, M24)



INOX STAINLESS STEEL

LMP.F-SST (d - l)

LMP.F-A4 (d - l)

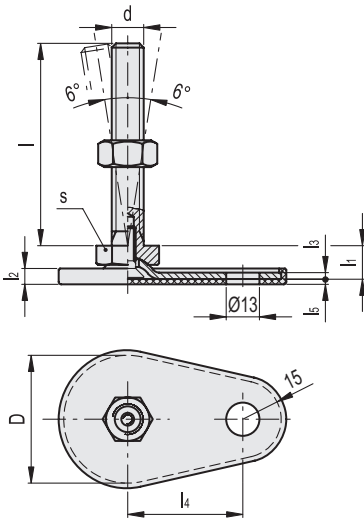
| Code | Description | Code | Description | D | d | l | l1 | l3 | l4 | s | s1# | Max. limit static load [N] | ⚖️ |
|--------|----------------------|--------|---------------------|----|-----|-----|----|-----|----|----|-----|----------------------------|-----|
| 405136 | LMP.F-50-SST-M8x40 | 395801 | LMP.F-50-A4-M8x40 | 50 | M8 | 40 | 11 | 2.5 | 45 | 17 | - | 8000 | 61 |
| 405137 | LMP.F-50-SST-M8x50 | 395804 | LMP.F-50-A4-M8x50 | 50 | M8 | 50 | 11 | 2.5 | 45 | 17 | - | 8000 | 71 |
| 405138 | LMP.F-50-SST-M8x63 | 395807 | LMP.F-50-A4-M8x63 | 50 | M8 | 63 | 11 | 2.5 | 45 | 17 | - | 8000 | 78 |
| 405141 | LMP.F-50-SST-M10x50 | 395821 | LMP.F-50-A4-M10x50 | 50 | M10 | 50 | 11 | 2.5 | 45 | 17 | - | 14000 | 81 |
| 405142 | LMP.F-50-SST-M10x60 | 395824 | LMP.F-50-A4-M10x60 | 50 | M10 | 60 | 11 | 2.5 | 45 | 17 | - | 14000 | 85 |
| 405143 | LMP.F-50-SST-M10x80 | 395827 | LMP.F-50-A4-M10x80 | 50 | M10 | 80 | 11 | 2.5 | 45 | 17 | - | 14000 | 100 |
| 405144 | LMP.F-50-SST-M10x100 | 395830 | LMP.F-50-A4-M10x100 | 50 | M10 | 100 | 11 | 2.5 | 45 | 17 | - | 14000 | 101 |
| 405146 | LMP.F-50-SST-M12x60 | 395851 | LMP.F-50-A4-M12x60 | 50 | M12 | 60 | 11 | 2.5 | 45 | 17 | - | 14000 | 105 |
| 405147 | LMP.F-50-SST-M12x80 | 395854 | LMP.F-50-A4-M12x80 | 50 | M12 | 80 | 11 | 2.5 | 45 | 17 | - | 14000 | 110 |
| 405148 | LMP.F-50-SST-M12x100 | 395857 | LMP.F-50-A4-M12x100 | 50 | M12 | 100 | 11 | 2.5 | 45 | 17 | - | 14000 | 121 |
| 405149 | LMP.F-50-SST-M12x125 | 395860 | LMP.F-50-A4-M12x125 | 50 | M12 | 125 | 11 | 2.5 | 45 | 17 | - | 14000 | 162 |
| 405151 | LMP.F-50-SST-M16x75 | 395881 | LMP.F-50-A4-M16x75 | 50 | M16 | 75 | 17 | 2.5 | 45 | 12 | 8 | 14000 | 177 |
| 405152 | LMP.F-50-SST-M16x100 | 395884 | LMP.F-50-A4-M16x100 | 50 | M16 | 100 | 17 | 2.5 | 45 | 12 | 8 | 14000 | 202 |
| 405153 | LMP.F-50-SST-M16x125 | 395887 | LMP.F-50-A4-M16x125 | 50 | M16 | 125 | 17 | 2.5 | 45 | 12 | 8 | 14000 | 245 |
| 405154 | LMP.F-50-SST-M16x150 | 395890 | LMP.F-50-A4-M16x150 | 50 | M16 | 150 | 17 | 2.5 | 45 | 12 | 8 | 14000 | 280 |
| 405155 | LMP.F-50-SST-M16x200 | 395893 | LMP.F-50-A4-M16x200 | 50 | M16 | 200 | 17 | 2.5 | 45 | 12 | 8 | 14000 | 361 |
| 405196 | LMP.F-60-SST-M8x40 | 395911 | LMP.F-60-A4-M8x40 | 60 | M8 | 40 | 11 | 2.5 | 50 | 17 | - | 8000 | 66 |
| 405197 | LMP.F-60-SST-M8x50 | 395914 | LMP.F-60-A4-M8x50 | 60 | M8 | 50 | 11 | 2.5 | 50 | 17 | - | 8000 | 71 |
| 405198 | LMP.F-60-SST-M8x63 | 395917 | LMP.F-60-A4-M8x63 | 60 | M8 | 63 | 11 | 2.5 | 50 | 17 | - | 8000 | 83 |
| 405201 | LMP.F-60-SST-M10x50 | 395931 | LMP.F-60-A4-M10x50 | 60 | M10 | 50 | 11 | 2.5 | 50 | 17 | - | 14000 | 101 |
| 405202 | LMP.F-60-SST-M10x60 | 395934 | LMP.F-60-A4-M10x60 | 60 | M10 | 60 | 11 | 2.5 | 50 | 17 | - | 14000 | 108 |
| 405203 | LMP.F-60-SST-M10x80 | 395937 | LMP.F-60-A4-M10x80 | 60 | M10 | 80 | 11 | 2.5 | 50 | 17 | - | 14000 | 115 |
| 405204 | LMP.F-60-SST-M10x100 | 395940 | LMP.F-60-A4-M10x100 | 60 | M10 | 100 | 11 | 2.5 | 50 | 17 | - | 14000 | 120 |
| 405206 | LMP.F-60-SST-M12x60 | 395961 | LMP.F-60-A4-M12x60 | 60 | M12 | 60 | 11 | 2.5 | 50 | 17 | - | 16000 | 121 |
| 405207 | LMP.F-60-SST-M12x80 | 395964 | LMP.F-60-A4-M12x80 | 60 | M12 | 80 | 11 | 2.5 | 50 | 17 | - | 16000 | 137 |
| 405208 | LMP.F-60-SST-M12x100 | 395967 | LMP.F-60-A4-M12x100 | 60 | M12 | 100 | 11 | 2.5 | 50 | 17 | - | 16000 | 149 |
| 405209 | LMP.F-60-SST-M12x125 | 395970 | LMP.F-60-A4-M12x125 | 60 | M12 | 125 | 11 | 2.5 | 50 | 17 | - | 16000 | 169 |
| 405211 | LMP.F-60-SST-M16x75 | 395991 | LMP.F-60-A4-M16x75 | 60 | M16 | 75 | 17 | 2.5 | 50 | 12 | 8 | 16000 | 189 |
| 405212 | LMP.F-60-SST-M16x100 | 395994 | LMP.F-60-A4-M16x100 | 60 | M16 | 100 | 17 | 2.5 | 50 | 12 | 8 | 16000 | 212 |
| 405213 | LMP.F-60-SST-M16x125 | 395997 | LMP.F-60-A4-M16x125 | 60 | M16 | 125 | 17 | 2.5 | 50 | 12 | 8 | 16000 | 261 |
| 405214 | LMP.F-60-SST-M16x150 | 396000 | LMP.F-60-A4-M16x150 | 60 | M16 | 150 | 17 | 2.5 | 50 | 12 | 8 | 16000 | 303 |
| 405210 | LMP.F-60-SST-M16x200 | 396003 | LMP.F-60-A4-M16x200 | 60 | M16 | 200 | 17 | 2.5 | 50 | 12 | 8 | 16000 | 378 |

Levelling feet and supports

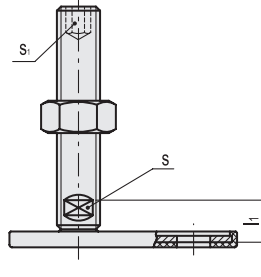


| LMP.F-SST (d - l) | | LMP.F-A4 (d - l) | | D | d | l | l1 | l3 | l4 | s | s1# | Max. limit static load [N] | ⚖️ |
|-------------------|----------------------|------------------|---------------------|----|-----|-----|----|----|----|----|-----|----------------------------|-----|
| 405256 | LMP.F-80-SST-M8x40 | 396101 | LMP.F-80-A4-M8x40 | 80 | M8 | 40 | 12 | 3 | 70 | 17 | - | 8000 | 141 |
| 405257 | LMP.F-80-SST-M8x50 | 396104 | LMP.F-80-A4-M8x50 | 80 | M8 | 50 | 12 | 3 | 70 | 17 | - | 8000 | 162 |
| 405258 | LMP.F-80-SST-M8x63 | 396107 | LMP.F-80-A4-M8x63 | 80 | M8 | 63 | 12 | 3 | 70 | 17 | - | 8000 | 172 |
| 405261 | LMP.F-80-SST-M10x50 | 396121 | LMP.F-80-A4-M10x50 | 80 | M10 | 50 | 12 | 3 | 70 | 17 | - | 14000 | 152 |
| 405262 | LMP.F-80-SST-M10x60 | 396124 | LMP.F-80-A4-M10x60 | 80 | M10 | 60 | 12 | 3 | 70 | 17 | - | 14000 | 170 |
| 405263 | LMP.F-80-SST-M10x80 | 396127 | LMP.F-80-A4-M10x80 | 80 | M10 | 80 | 12 | 3 | 70 | 17 | - | 14000 | 182 |
| 405264 | LMP.F-80-SST-M10x100 | 396130 | LMP.F-80-A4-M10x100 | 80 | M10 | 100 | 12 | 3 | 70 | 17 | - | 14000 | 192 |
| 405266 | LMP.F-80-SST-M12x60 | 396151 | LMP.F-80-A4-M12x60 | 80 | M12 | 60 | 12 | 3 | 70 | 17 | - | 20000 | 182 |
| 405267 | LMP.F-80-SST-M12x80 | 396154 | LMP.F-80-A4-M12x80 | 80 | M12 | 80 | 12 | 3 | 70 | 17 | - | 20000 | 202 |
| 405268 | LMP.F-80-SST-M12x100 | 396157 | LMP.F-80-A4-M12x100 | 80 | M12 | 100 | 12 | 3 | 70 | 17 | - | 20000 | 222 |
| 405269 | LMP.F-80-SST-M12x125 | 396160 | LMP.F-80-A4-M12x125 | 80 | M12 | 125 | 12 | 3 | 70 | 17 | - | 20000 | 235 |
| 405271 | LMP.F-80-SST-M16x75 | 396181 | LMP.F-80-A4-M16x75 | 80 | M16 | 75 | 18 | 3 | 70 | 12 | 8 | 20000 | 202 |
| 405272 | LMP.F-80-SST-M16x100 | 396184 | LMP.F-80-A4-M16x100 | 80 | M16 | 100 | 18 | 3 | 70 | 12 | 8 | 20000 | 263 |
| 405273 | LMP.F-80-SST-M16x125 | 396187 | LMP.F-80-A4-M16x125 | 80 | M16 | 125 | 18 | 3 | 70 | 12 | 8 | 20000 | 293 |
| 405274 | LMP.F-80-SST-M16x150 | 396190 | LMP.F-80-A4-M16x150 | 80 | M16 | 150 | 18 | 3 | 70 | 12 | 8 | 20000 | 364 |
| 405215 | LMP.F-80-SST-M16x200 | 396193 | LMP.F-80-A4-M16x200 | 80 | M16 | 200 | 18 | 3 | 70 | 12 | 8 | 20000 | 460 |
| 405276 | LMP.F-80-SST-M20x75 | 396211 | LMP.F-80-A4-M20x75 | 80 | M20 | 75 | 19 | 3 | 70 | 15 | 10 | 20000 | 354 |
| 405277 | LMP.F-80-SST-M20x100 | 396214 | LMP.F-80-A4-M20x100 | 80 | M20 | 100 | 19 | 3 | 70 | 15 | 10 | 20000 | 384 |
| 405278 | LMP.F-80-SST-M20x125 | 396217 | LMP.F-80-A4-M20x125 | 80 | M20 | 125 | 19 | 3 | 70 | 15 | 10 | 20000 | 404 |
| 405279 | LMP.F-80-SST-M20x150 | 396220 | LMP.F-80-A4-M20x150 | 80 | M20 | 150 | 19 | 3 | 70 | 15 | 10 | 20000 | 464 |
| 405216 | LMP.F-80-SST-M20x200 | 396223 | LMP.F-80-A4-M20x200 | 80 | M20 | 200 | 19 | 3 | 70 | 15 | 10 | 20000 | 580 |
| 405281 | LMP.F-80-SST-M24x100 | 396241 | LMP.F-80-A4-M24x100 | 80 | M24 | 100 | 22 | 3 | 70 | 19 | 12 | 22000 | 556 |
| 405282 | LMP.F-80-SST-M24x125 | 396244 | LMP.F-80-A4-M24x125 | 80 | M24 | 125 | 22 | 3 | 70 | 19 | 12 | 22000 | 625 |
| 405283 | LMP.F-80-SST-M24x150 | 396247 | LMP.F-80-A4-M24x150 | 80 | M24 | 150 | 22 | 3 | 70 | 19 | 12 | 22000 | 694 |
| 405280 | LMP.F-80-SST-M24x200 | 396250 | LMP.F-80-A4-M24x200 | 80 | M24 | 200 | 22 | 3 | 70 | 19 | 12 | 22000 | 850 |

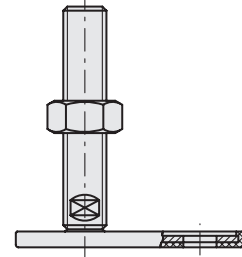
LMP.F-SST-TR
LMP.F-A4-TR
(M8, M10, M12)



LMP.F-SST-TR
(M16, M20, M24)

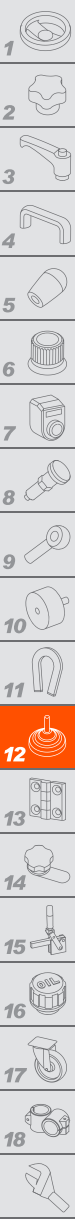


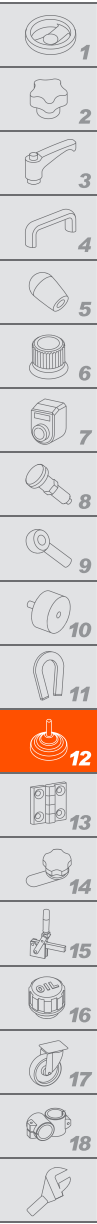
LMP.F-A4-TR
(M16, M20, M24)



| LMP.F-SST-TR (d - l) | | LMP.F-A4-TR (d - l) | | D | d | l | l1 | l2 | l3 | l4 | l5 | s | s1# | Max. limit static load [N] | ⚖️ |
|----------------------|-------------------------|---------------------|------------------------|----|-----|-----|----|----|-----|----|----|----|-----|----------------------------|-----|
| 405166 | LMP.F-50-SST-M8x40-TR | 395802 | LMP.F-50-A4-M8x40-TR | 50 | M8 | 40 | 11 | 6 | 2.5 | 45 | 2 | 17 | - | 8000 | 62 |
| 405167 | LMP.F-50-SST-M8x50-TR | 395805 | LMP.F-50-A4-M8x50-TR | 50 | M8 | 50 | 11 | 6 | 2.5 | 45 | 2 | 17 | - | 8000 | 81 |
| 405168 | LMP.F-50-SST-M8x63-TR | 395808 | LMP.F-50-A4-M8x63-TR | 50 | M8 | 63 | 11 | 6 | 2.5 | 45 | 2 | 17 | - | 8000 | 91 |
| 405171 | LMP.F-50-SST-M10x50-TR | 395822 | LMP.F-50-A4-M10x50-TR | 50 | M10 | 50 | 11 | 6 | 2.5 | 45 | 2 | 17 | - | 14000 | 89 |
| 405172 | LMP.F-50-SST-M10x60-TR | 395825 | LMP.F-50-A4-M10x60-TR | 50 | M10 | 60 | 11 | 6 | 2.5 | 45 | 2 | 17 | - | 14000 | 95 |
| 405173 | LMP.F-50-SST-M10x80-TR | 395828 | LMP.F-50-A4-M10x80-TR | 50 | M10 | 80 | 11 | 6 | 2.5 | 45 | 2 | 17 | - | 14000 | 101 |
| 405175 | LMP.F-50-SST-M10x100-TR | 395831 | LMP.F-50-A4-M10x100-TR | 50 | M10 | 100 | 11 | 6 | 2.5 | 45 | 2 | 17 | - | 14000 | 111 |

only for LMP.F-SST

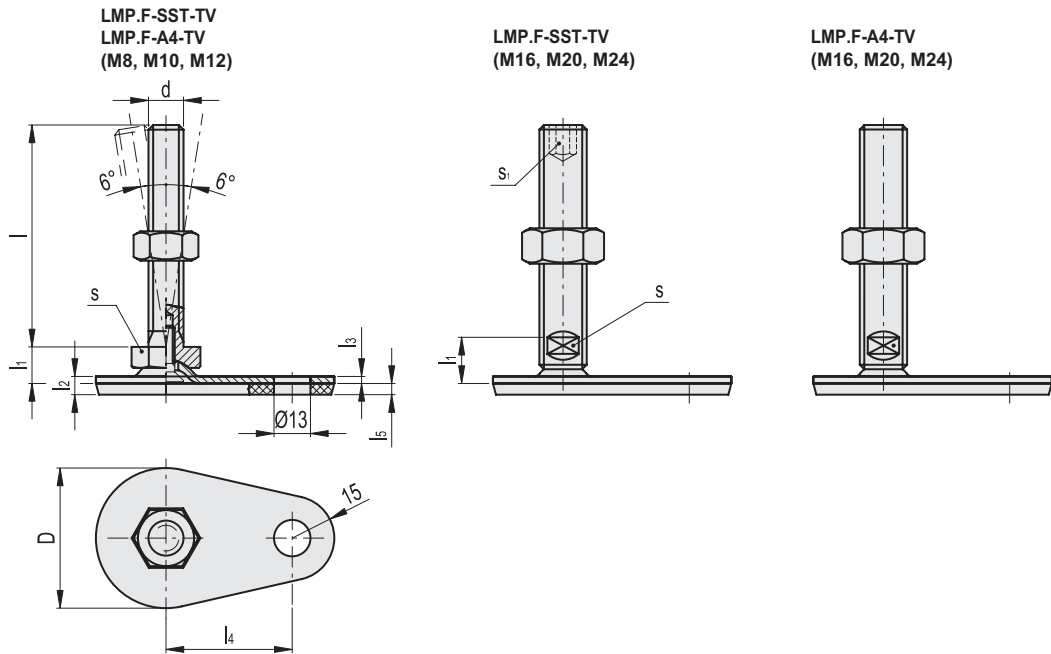




| LMP.F-SST-TR (d - l) | | LMP.F-A4-TR (d - l) | | | | | | | | | | | | Max. limit static load [N] | |
|----------------------|-------------------------|---------------------|------------------------|----|-----|-----|----|----|-----|----|----|----|----|----------------------------|-----|
| Code | Description | Code | Description | D | d | l | l1 | l2 | l3 | l4 | l5 | s | s# | | |
| 405176 | LMP.F-50-SST-M12x60-TR | 395852 | LMP.F-50-A4-M12x60-TR | 50 | M12 | 60 | 11 | 6 | 2.5 | 45 | 2 | 17 | - | 14000 | 121 |
| 405177 | LMP.F-50-SST-M12x80-TR | 395855 | LMP.F-50-A4-M12x80-TR | 50 | M12 | 80 | 11 | 6 | 2.5 | 45 | 2 | 17 | - | 14000 | 131 |
| 405178 | LMP.F-50-SST-M12x100-TR | 395858 | LMP.F-50-A4-M12x100-TR | 50 | M12 | 100 | 11 | 6 | 2.5 | 45 | 2 | 17 | - | 14000 | 141 |
| 405179 | LMP.F-50-SST-M12x125-TR | 395861 | LMP.F-50-A4-M12x125-TR | 50 | M12 | 125 | 11 | 6 | 2.5 | 45 | 2 | 17 | - | 14000 | 162 |
| 405181 | LMP.F-50-SST-M16x75-TR | 395882 | LMP.F-50-A4-M16x75-TR | 50 | M16 | 75 | 17 | 6 | 2.5 | 45 | 2 | 12 | 8 | 14000 | 180 |
| 405182 | LMP.F-50-SST-M16x100-TR | 395885 | LMP.F-50-A4-M16x100-TR | 50 | M16 | 100 | 17 | 6 | 2.5 | 45 | 2 | 12 | 8 | 14000 | 222 |
| 405183 | LMP.F-50-SST-M16x125-TR | 395888 | LMP.F-50-A4-M16x125-TR | 50 | M16 | 125 | 17 | 6 | 2.5 | 45 | 2 | 12 | 8 | 14000 | 253 |
| 405184 | LMP.F-50-SST-M16x150-TR | 395891 | LMP.F-50-A4-M16x150-TR | 50 | M16 | 150 | 17 | 6 | 2.5 | 45 | 2 | 12 | 8 | 14000 | 283 |
| 405185 | LMP.F-50-SST-M16x200-TR | 395894 | LMP.F-50-A4-M16x200-TR | 50 | M16 | 200 | 17 | 6 | 2.5 | 45 | 2 | 12 | 8 | 14000 | 250 |
| 405226 | LMP.F-60-SST-M8x40-TR | 395912 | LMP.F-60-A4-M8x40-TR | 60 | M8 | 40 | 11 | 6 | 2.5 | 50 | 2 | 17 | - | 8000 | 81 |
| 405227 | LMP.F-60-SST-M8x50-TR | 395915 | LMP.F-60-A4-M8x50-TR | 60 | M8 | 50 | 11 | 6 | 2.5 | 50 | 2 | 17 | - | 8000 | 90 |
| 405228 | LMP.F-60-SST-M8x63-TR | 395918 | LMP.F-60-A4-M8x63-TR | 60 | M8 | 63 | 11 | 6 | 2.5 | 50 | 2 | 17 | - | 8000 | 105 |
| 405231 | LMP.F-60-SST-M10x50-TR | 395932 | LMP.F-60-A4-M10x50-TR | 60 | M10 | 50 | 11 | 6 | 2.5 | 50 | 2 | 17 | - | 14000 | 101 |
| 405232 | LMP.F-60-SST-M10x60-TR | 395935 | LMP.F-60-A4-M10x60-TR | 60 | M10 | 60 | 11 | 6 | 2.5 | 50 | 2 | 17 | - | 14000 | 111 |
| 405233 | LMP.F-60-SST-M10x80-TR | 395938 | LMP.F-60-A4-M10x80-TR | 60 | M10 | 80 | 11 | 6 | 2.5 | 50 | 2 | 17 | - | 14000 | 121 |
| 405234 | LMP.F-60-SST-M10x100-TR | 395941 | LMP.F-60-A4-M10x100-TR | 60 | M10 | 100 | 11 | 6 | 2.5 | 50 | 2 | 17 | - | 14000 | 131 |
| 405236 | LMP.F-60-SST-M12x60-TR | 395962 | LMP.F-60-A4-M12x60-TR | 60 | M12 | 60 | 11 | 6 | 2.5 | 50 | 2 | 17 | - | 16000 | 126 |
| 405237 | LMP.F-60-SST-M12x80-TR | 395965 | LMP.F-60-A4-M12x80-TR | 60 | M12 | 80 | 11 | 6 | 2.5 | 50 | 2 | 17 | - | 16000 | 145 |
| 405238 | LMP.F-60-SST-M12x100-TR | 395968 | LMP.F-60-A4-M12x100-TR | 60 | M12 | 100 | 11 | 6 | 2.5 | 50 | 2 | 17 | - | 16000 | 160 |
| 405239 | LMP.F-60-SST-M12x125-TR | 395971 | LMP.F-60-A4-M12x125-TR | 60 | M12 | 125 | 11 | 6 | 2.5 | 50 | 2 | 17 | - | 16000 | 182 |
| 405241 | LMP.F-60-SST-M16x75-TR | 395992 | LMP.F-60-A4-M16x75-TR | 60 | M16 | 75 | 17 | 6 | 2.5 | 50 | 2 | 12 | 8 | 16000 | 202 |
| 405242 | LMP.F-60-SST-M16x100-TR | 395995 | LMP.F-60-A4-M16x100-TR | 60 | M16 | 100 | 17 | 6 | 2.5 | 50 | 2 | 12 | 8 | 16000 | 222 |
| 405243 | LMP.F-60-SST-M16x125-TR | 395998 | LMP.F-60-A4-M16x125-TR | 60 | M16 | 125 | 17 | 6 | 2.5 | 50 | 2 | 12 | 8 | 16000 | 263 |
| 405244 | LMP.F-60-SST-M16x150-TR | 396001 | LMP.F-60-A4-M16x150-TR | 60 | M16 | 150 | 17 | 6 | 2.5 | 50 | 2 | 12 | 8 | 16000 | 303 |
| 405245 | LMP.F-60-SST-M16x200-TR | 396004 | LMP.F-60-A4-M16x200-TR | 60 | M16 | 200 | 17 | 6 | 2.5 | 50 | 2 | 12 | 8 | 16000 | 420 |
| 405291 | LMP.F-80-SST-M8x40-TR | 396102 | LMP.F-80-A4-M8x40-TR | 80 | M8 | 40 | 12 | 7 | 3 | 70 | 2 | 17 | - | 8000 | 158 |
| 405292 | LMP.F-80-SST-M8x50-TR | 396105 | LMP.F-80-A4-M8x50-TR | 80 | M8 | 50 | 12 | 7 | 3 | 70 | 2 | 17 | - | 8000 | 165 |
| 405293 | LMP.F-80-SST-M8x63-TR | 396108 | LMP.F-80-A4-M8x63-TR | 80 | M8 | 63 | 12 | 7 | 3 | 70 | 2 | 17 | - | 8000 | 182 |
| 405296 | LMP.F-80-SST-M10x50-TR | 396122 | LMP.F-80-A4-M10x50-TR | 80 | M10 | 50 | 12 | 7 | 3 | 70 | 2 | 17 | - | 14000 | 162 |
| 405297 | LMP.F-80-SST-M10x60-TR | 396125 | LMP.F-80-A4-M10x60-TR | 80 | M10 | 60 | 12 | 7 | 3 | 70 | 2 | 17 | - | 14000 | 186 |
| 405298 | LMP.F-80-SST-M10x80-TR | 396128 | LMP.F-80-A4-M10x80-TR | 80 | M10 | 80 | 12 | 7 | 3 | 70 | 2 | 17 | - | 14000 | 208 |
| 405299 | LMP.F-80-SST-M10x100-TR | 396131 | LMP.F-80-A4-M10x100-TR | 80 | M10 | 100 | 12 | 7 | 3 | 70 | 2 | 17 | - | 14000 | 232 |
| 405301 | LMP.F-80-SST-M12x60-TR | 396152 | LMP.F-80-A4-M12x60-TR | 80 | M12 | 60 | 12 | 7 | 3 | 70 | 2 | 17 | - | 20000 | 202 |
| 405302 | LMP.F-80-SST-M12x80-TR | 396155 | LMP.F-80-A4-M12x80-TR | 80 | M12 | 80 | 12 | 7 | 3 | 70 | 2 | 17 | - | 20000 | 222 |
| 405303 | LMP.F-80-SST-M12x100-TR | 396158 | LMP.F-80-A4-M12x100-TR | 80 | M12 | 100 | 12 | 7 | 3 | 70 | 2 | 17 | - | 20000 | 253 |
| 405304 | LMP.F-80-SST-M12x125-TR | 396161 | LMP.F-80-A4-M12x125-TR | 80 | M12 | 125 | 12 | 7 | 3 | 70 | 2 | 17 | - | 20000 | 293 |
| 405306 | LMP.F-80-SST-M16x75-TR | 396182 | LMP.F-80-A4-M16x75-TR | 80 | M16 | 75 | 18 | 7 | 3 | 70 | 2 | 12 | 8 | 20000 | 283 |
| 405307 | LMP.F-80-SST-M16x100-TR | 396185 | LMP.F-80-A4-M16x100-TR | 80 | M16 | 100 | 18 | 7 | 3 | 70 | 2 | 12 | 8 | 20000 | 323 |
| 405308 | LMP.F-80-SST-M16x125-TR | 396188 | LMP.F-80-A4-M16x125-TR | 80 | M16 | 125 | 18 | 7 | 3 | 70 | 2 | 12 | 8 | 20000 | 364 |
| 405309 | LMP.F-80-SST-M16x150-TR | 396191 | LMP.F-80-A4-M16x150-TR | 80 | M16 | 150 | 18 | 7 | 3 | 70 | 2 | 12 | 8 | 20000 | 404 |
| 405310 | LMP.F-80-SST-M16x200-TR | 396194 | LMP.F-80-A4-M16x200-TR | 80 | M16 | 200 | 18 | 7 | 3 | 70 | 2 | 12 | 8 | 20000 | 480 |
| 405311 | LMP.F-80-SST-M20x75-TR | 396212 | LMP.F-80-A4-M20x75-TR | 80 | M20 | 75 | 19 | 7 | 3 | 70 | 2 | 15 | 10 | 20000 | 364 |
| 405312 | LMP.F-80-SST-M20x100-TR | 396215 | LMP.F-80-A4-M20x100-TR | 80 | M20 | 100 | 19 | 7 | 3 | 70 | 2 | 15 | 10 | 20000 | 404 |
| 405313 | LMP.F-80-SST-M20x125-TR | 396218 | LMP.F-80-A4-M20x125-TR | 80 | M20 | 125 | 19 | 7 | 3 | 70 | 2 | 15 | 10 | 20000 | 565 |
| 405314 | LMP.F-80-SST-M20x150-TR | 396221 | LMP.F-80-A4-M20x150-TR | 80 | M20 | 150 | 19 | 7 | 3 | 70 | 2 | 15 | 10 | 20000 | 404 |
| 405246 | LMP.F-80-SST-M20x200-TR | 396224 | LMP.F-80-A4-M20x200-TR | 80 | M20 | 200 | 19 | 7 | 3 | 70 | 2 | 15 | 10 | 20000 | 480 |
| 405316 | LMP.F-80-SST-M24x100-TR | 396242 | LMP.F-80-A4-M24x100-TR | 80 | M24 | 100 | 22 | 7 | 3 | 70 | 2 | 19 | 12 | 22000 | 566 |
| 405317 | LMP.F-80-SST-M24x125-TR | 396245 | LMP.F-80-A4-M24x125-TR | 80 | M24 | 125 | 22 | 7 | 3 | 70 | 2 | 19 | 12 | 22000 | 636 |
| 405318 | LMP.F-80-SST-M24x150-TR | 396248 | LMP.F-80-A4-M24x150-TR | 80 | M24 | 150 | 22 | 7 | 3 | 70 | 2 | 19 | 12 | 22000 | 707 |
| 405319 | LMP.F-80-SST-M24x200-TR | 396251 | LMP.F-80-A4-M24x200-TR | 80 | M24 | 200 | 22 | 7 | 3 | 70 | 2 | 19 | 12 | 22000 | 833 |

Levelling feet and supports

6 # only for LMPF-SST



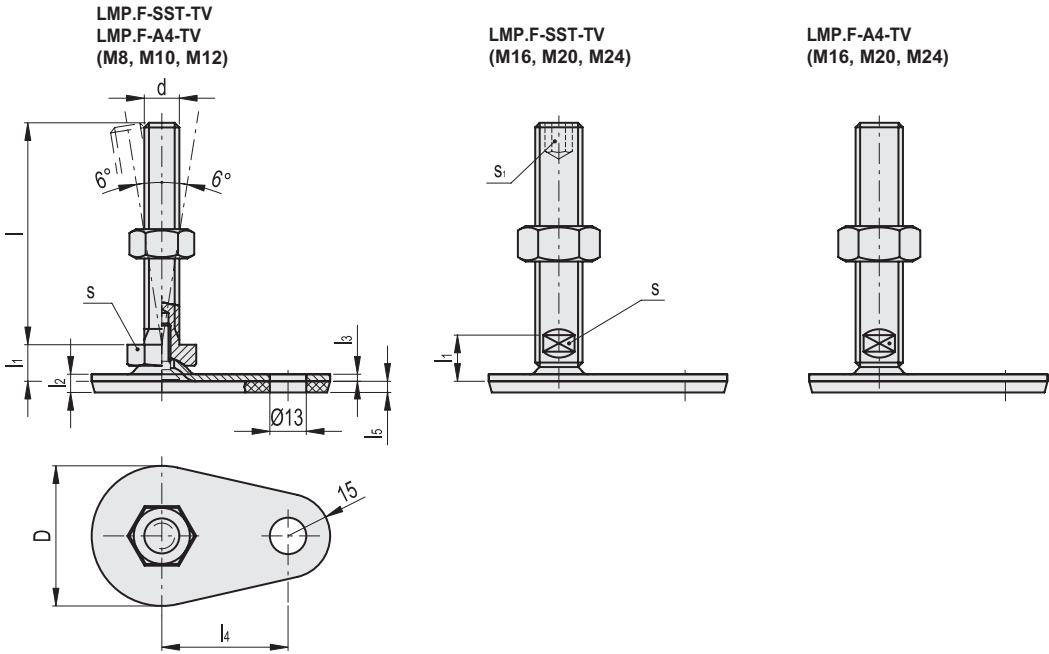
LMP.F-SST-TV (d - l)

LMP.F-A4-TV (d - l)

INOX STAINLESS STEEL

| Code | Description | Code | Description | D | d | l | l1 | l2 | l3 | l4 | l5 | s | s1# | Max. limit static load [N] | ⚖️ |
|--------|-------------------------|--------|------------------------|----|-----|-----|----|-----|-----|----|-----|----|-----|----------------------------|-----|
| 403783 | LMP.F-50-SST-M8x40-TV | 395803 | LMP.F-50-A4-M8x40-TV | 50 | M8 | 40 | 11 | 6.5 | 2.5 | 45 | 4 | 17 | - | 8000 | 62 |
| 403784 | LMP.F-50-SST-M8x50-TV | 395806 | LMP.F-50-A4-M8x50-TV | 50 | M8 | 50 | 11 | 6.5 | 2.5 | 45 | 4 | 17 | - | 8000 | 81 |
| 403785 | LMP.F-50-SST-M8x63-TV | 395809 | LMP.F-50-A4-M8x63-TV | 50 | M8 | 63 | 11 | 6.5 | 2.5 | 45 | 4 | 17 | - | 8000 | 91 |
| 403786 | LMP.F-50-SST-M10x50-TV | 395823 | LMP.F-50-A4-M10x50-TV | 50 | M10 | 50 | 11 | 6.5 | 2.5 | 45 | 4 | 17 | - | 14000 | 89 |
| 403787 | LMP.F-50-SST-M10x60-TV | 395826 | LMP.F-50-A4-M10x60-TV | 50 | M10 | 60 | 11 | 6.5 | 2.5 | 45 | 4 | 17 | - | 14000 | 95 |
| 403788 | LMP.F-50-SST-M10x80-TV | 395829 | LMP.F-50-A4-M10x80-TV | 50 | M10 | 80 | 11 | 6.5 | 2.5 | 45 | 4 | 17 | - | 14000 | 101 |
| 403789 | LMP.F-50-SST-M10x100-TV | 395832 | LMP.F-50-A4-M10x100-TV | 50 | M10 | 100 | 11 | 6.5 | 2.5 | 45 | 4 | 17 | - | 14000 | 111 |
| 403790 | LMP.F-50-SST-M12x60-TV | 395853 | LMP.F-50-A4-M12x60-TV | 50 | M12 | 60 | 11 | 6.5 | 2.5 | 45 | 4 | 17 | - | 14000 | 121 |
| 403791 | LMP.F-50-SST-M12x80-TV | 395856 | LMP.F-50-A4-M12x80-TV | 50 | M12 | 80 | 11 | 6.5 | 2.5 | 45 | 4 | 17 | - | 14000 | 131 |
| 403792 | LMP.F-50-SST-M12x100-TV | 395859 | LMP.F-50-A4-M12x100-TV | 50 | M12 | 100 | 11 | 6.5 | 2.5 | 45 | 4 | 17 | - | 14000 | 141 |
| 403793 | LMP.F-50-SST-M12x125-TV | 395862 | LMP.F-50-A4-M12x125-TV | 50 | M12 | 125 | 11 | 6.5 | 2.5 | 45 | 4 | 17 | - | 14000 | 162 |
| 403794 | LMP.F-50-SST-M16x75-TV | 395883 | LMP.F-50-A4-M16x75-TV | 50 | M16 | 75 | 17 | 6.5 | 2.5 | 45 | 4 | 12 | 8 | 14000 | 180 |
| 403795 | LMP.F-50-SST-M16x100-TV | 395886 | LMP.F-50-A4-M16x100-TV | 50 | M16 | 100 | 17 | 6.5 | 2.5 | 45 | 4 | 12 | 8 | 14000 | 222 |
| 403796 | LMP.F-50-SST-M16x125-TV | 395889 | LMP.F-50-A4-M16x125-TV | 50 | M16 | 125 | 17 | 6.5 | 2.5 | 45 | 4 | 12 | 8 | 14000 | 253 |
| 403797 | LMP.F-50-SST-M16x150-TV | 395892 | LMP.F-50-A4-M16x150-TV | 50 | M16 | 150 | 17 | 6.5 | 2.5 | 45 | 4 | 12 | 8 | 14000 | 283 |
| 403798 | LMP.F-50-SST-M16x200-TV | 395895 | LMP.F-50-A4-M16x200-TV | 50 | M16 | 200 | 17 | 6.5 | 2.5 | 45 | 4 | 12 | 8 | 14000 | 374 |
| 403804 | LMP.F-60-SST-M8x40-TV | 395913 | LMP.F-60-A4-M8x40-TV | 60 | M8 | 40 | 11 | 7 | 2.5 | 50 | 4.5 | 17 | - | 8000 | 81 |
| 403805 | LMP.F-60-SST-M8x50-TV | 395916 | LMP.F-60-A4-M8x50-TV | 60 | M8 | 50 | 11 | 7 | 2.5 | 50 | 4.5 | 17 | - | 8000 | 90 |
| 403806 | LMP.F-60-SST-M8x63-TV | 395919 | LMP.F-60-A4-M8x63-TV | 60 | M8 | 63 | 11 | 7 | 2.5 | 50 | 4.5 | 17 | - | 8000 | 105 |
| 403807 | LMP.F-60-SST-M10x50-TV | 395933 | LMP.F-60-A4-M10x50-TV | 60 | M10 | 50 | 11 | 7 | 2.5 | 50 | 4.5 | 17 | - | 14000 | 101 |
| 403808 | LMP.F-60-SST-M10x60-TV | 395936 | LMP.F-60-A4-M10x60-TV | 60 | M10 | 60 | 11 | 7 | 2.5 | 50 | 4.5 | 17 | - | 14000 | 111 |
| 403809 | LMP.F-60-SST-M10x80-TV | 395939 | LMP.F-60-A4-M10x80-TV | 60 | M10 | 80 | 11 | 7 | 2.5 | 50 | 4.5 | 17 | - | 14000 | 121 |
| 403810 | LMP.F-60-SST-M10x100-TV | 395942 | LMP.F-60-A4-M10x100-TV | 60 | M10 | 100 | 11 | 7 | 2.5 | 50 | 4.5 | 17 | - | 14000 | 131 |
| 403811 | LMP.F-60-SST-M12x60-TV | 395963 | LMP.F-60-A4-M12x60-TV | 60 | M12 | 60 | 11 | 7 | 2.5 | 50 | 4.5 | 17 | - | 16000 | 126 |
| 403812 | LMP.F-60-SST-M12x80-TV | 395966 | LMP.F-60-A4-M12x80-TV | 60 | M12 | 80 | 11 | 7 | 2.5 | 50 | 4.5 | 17 | - | 16000 | 145 |
| 403813 | LMP.F-60-SST-M12x100-TV | 395969 | LMP.F-60-A4-M12x100-TV | 60 | M12 | 100 | 11 | 7 | 2.5 | 50 | 4.5 | 17 | - | 16000 | 160 |
| 403814 | LMP.F-60-SST-M12x125-TV | 395972 | LMP.F-60-A4-M12x125-TV | 60 | M12 | 125 | 11 | 7 | 2.5 | 50 | 4.5 | 17 | - | 16000 | 182 |
| 403815 | LMP.F-60-SST-M16x75-TV | 395993 | LMP.F-60-A4-M16x75-TV | 60 | M16 | 75 | 17 | 7 | 2.5 | 50 | 4.5 | 12 | 8 | 16000 | 202 |
| 403816 | LMP.F-60-SST-M16x100-TV | 395996 | LMP.F-60-A4-M16x100-TV | 60 | M16 | 100 | 17 | 7 | 2.5 | 50 | 4.5 | 12 | 8 | 16000 | 222 |
| 403817 | LMP.F-60-SST-M16x125-TV | 395999 | LMP.F-60-A4-M16x125-TV | 60 | M16 | 125 | 17 | 7 | 2.5 | 50 | 4.5 | 12 | 8 | 16000 | 263 |
| 403818 | LMP.F-60-SST-M16x150-TV | 396002 | LMP.F-60-A4-M16x150-TV | 60 | M16 | 150 | 17 | 7 | 2.5 | 50 | 4.5 | 12 | 8 | 16000 | 303 |
| 403819 | LMP.F-60-SST-M16x200-TV | 396005 | LMP.F-60-A4-M16x200-TV | 60 | M16 | 200 | 17 | 7 | 2.5 | 50 | 4.5 | 12 | 8 | 16000 | 399 |

only for LMP.F-SST



LMP.F-SST-TV (d - l)

LMP.F-A4-TV (d - l)



| Code | Description | Code | Description | D | d | l | l1 | l2 | l3 | l4 | l5 | s | s1# | Max. limit static load [N] | |
|--------|-------------------------|--------|------------------------|----|-----|-----|----|----|----|----|----|----|-----|----------------------------|-----|
| 403824 | LMP.F-80-SST-M8x40-TV | 396103 | LMP.F-80-A4-M8x40-TV | 80 | M8 | 40 | 12 | 8 | 3 | 70 | 5 | 17 | - | 8000 | 158 |
| 403825 | LMP.F-80-SST-M8x50-TV | 396106 | LMP.F-80-A4-M8x50-TV | 80 | M8 | 50 | 12 | 8 | 3 | 70 | 5 | 17 | - | 8000 | 165 |
| 403826 | LMP.F-80-SST-M8x63-TV | 396109 | LMP.F-80-A4-M8x63-TV | 80 | M8 | 63 | 12 | 8 | 3 | 70 | 5 | 17 | - | 8000 | 182 |
| 403827 | LMP.F-80-SST-M10x50-TV | 396123 | LMP.F-80-A4-M10x50-TV | 80 | M10 | 50 | 12 | 8 | 3 | 70 | 5 | 17 | - | 14000 | 162 |
| 403828 | LMP.F-80-SST-M10x60-TV | 396126 | LMP.F-80-A4-M10x60-TV | 80 | M10 | 60 | 12 | 8 | 3 | 70 | 5 | 17 | - | 14000 | 186 |
| 403829 | LMP.F-80-SST-M10x80-TV | 396129 | LMP.F-80-A4-M10x80-TV | 80 | M10 | 80 | 12 | 8 | 3 | 70 | 5 | 17 | - | 14000 | 208 |
| 403830 | LMP.F-80-SST-M10x100-TV | 396132 | LMP.F-80-A4-M10x100-TV | 80 | M10 | 100 | 12 | 8 | 3 | 70 | 5 | 17 | - | 14000 | 232 |
| 403831 | LMP.F-80-SST-M12x60-TV | 396153 | LMP.F-80-A4-M12x60-TV | 80 | M12 | 60 | 12 | 8 | 3 | 70 | 5 | 17 | - | 20000 | 202 |
| 403832 | LMP.F-80-SST-M12x80-TV | 396156 | LMP.F-80-A4-M12x80-TV | 80 | M12 | 80 | 12 | 8 | 3 | 70 | 5 | 17 | - | 20000 | 222 |
| 403833 | LMP.F-80-SST-M12x100-TV | 396159 | LMP.F-80-A4-M12x100-TV | 80 | M12 | 100 | 12 | 8 | 3 | 70 | 5 | 17 | - | 20000 | 253 |
| 403834 | LMP.F-80-SST-M12x125-TV | 396162 | LMP.F-80-A4-M12x125-TV | 80 | M12 | 125 | 12 | 8 | 3 | 70 | 5 | 17 | - | 20000 | 293 |
| 403835 | LMP.F-80-SST-M16x75-TV | 396183 | LMP.F-80-A4-M16x75-TV | 80 | M16 | 75 | 18 | 8 | 3 | 70 | 5 | 12 | 8 | 20000 | 283 |
| 403836 | LMP.F-80-SST-M16x100-TV | 396186 | LMP.F-80-A4-M16x100-TV | 80 | M16 | 100 | 18 | 8 | 3 | 70 | 5 | 12 | 8 | 20000 | 323 |
| 403837 | LMP.F-80-SST-M16x125-TV | 396189 | LMP.F-80-A4-M16x125-TV | 80 | M16 | 125 | 18 | 8 | 3 | 70 | 5 | 12 | 8 | 20000 | 364 |
| 403838 | LMP.F-80-SST-M16x150-TV | 396192 | LMP.F-80-A4-M16x150-TV | 80 | M16 | 150 | 18 | 8 | 3 | 70 | 5 | 12 | 8 | 20000 | 404 |
| 403846 | LMP.F-80-SST-M16x200-TV | 396195 | LMP.F-80-A4-M16x200-TV | 80 | M16 | 200 | 18 | 8 | 3 | 70 | 5 | 12 | 8 | 20000 | 500 |
| 403839 | LMP.F-80-SST-M20x75-TV | 396213 | LMP.F-80-A4-M20x75-TV | 80 | M20 | 75 | 19 | 8 | 3 | 70 | 5 | 15 | 10 | 20000 | 364 |
| 403840 | LMP.F-80-SST-M20x100-TV | 396216 | LMP.F-80-A4-M20x100-TV | 80 | M20 | 100 | 19 | 8 | 3 | 70 | 5 | 15 | 10 | 20000 | 404 |
| 403841 | LMP.F-80-SST-M20x125-TV | 396219 | LMP.F-80-A4-M20x125-TV | 80 | M20 | 125 | 19 | 8 | 3 | 70 | 5 | 15 | 10 | 20000 | 565 |
| 403842 | LMP.F-80-SST-M20x150-TV | 396222 | LMP.F-80-A4-M20x150-TV | 80 | M20 | 150 | 19 | 8 | 3 | 70 | 5 | 15 | 10 | 20000 | 404 |
| 403848 | LMP.F-80-SST-M20x200-TV | 396225 | LMP.F-80-A4-M20x200-TV | 80 | M20 | 200 | 19 | 8 | 3 | 70 | 5 | 15 | 10 | 20000 | 680 |
| 403843 | LMP.F-80-SST-M24x100-TV | 396243 | LMP.F-80-A4-M24x100-TV | 80 | M24 | 100 | 22 | 8 | 3 | 70 | 5 | 19 | 12 | 22000 | 566 |
| 403844 | LMP.F-80-SST-M24x125-TV | 396246 | LMP.F-80-A4-M24x125-TV | 80 | M24 | 125 | 22 | 8 | 3 | 70 | 5 | 19 | 12 | 22000 | 636 |
| 403845 | LMP.F-80-SST-M24x150-TV | 396249 | LMP.F-80-A4-M24x150-TV | 80 | M24 | 150 | 22 | 8 | 3 | 70 | 5 | 19 | 12 | 22000 | 707 |
| 403849 | LMP.F-80-SST-M24x200-TV | 396252 | LMP.F-80-A4-M24x200-TV | 80 | M24 | 200 | 22 | 8 | 3 | 70 | 5 | 19 | 12 | 22000 | 850 |

Levelling feet and supports

8 # only for LMPF-SST