

- 1
- 2
- 3
- 4
- 5
- 6
- 7
- 8
- 9
- 10
- 11
- 12
- 13
- 14
- 15
- 16
- 17
- 18

**STANDARD EXECUTIONS**

Base with 2 holes for ground mounting, articulation or threaded stem with nut.

- **LMP-SST-FF (d)**: stainless steel 304 threaded blind ball joint
- **LMP-SST-FF (d – l)**: AISI 303 stainless steel threaded stem, AISI 304 stainless steel base and nut.
- **LMP-A4-FF (d – l)**: Threaded stem, AISI 316L stainless steel base and nut.

**SET SCREW**

AISI 304 stainless steel.

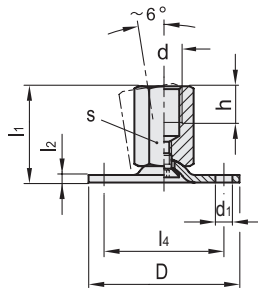
**FEATURES**

The resistance of the levelling feet to a static load is obviously limited by the permissible load capacity of the rod (steel strength class 500 N/mm<sup>2</sup>).

The static load values in the table below are the result of laboratory tests in which the load has been applied perpendicularly to the base. Such values have to be considered as purely indicative and must be verified under the specific conditions of use.

Any off-axis stress must be taken into account because they can reduce the load resistance.

It's the user's responsibility to determine, case by case, whether the product is suitable for the intended use.

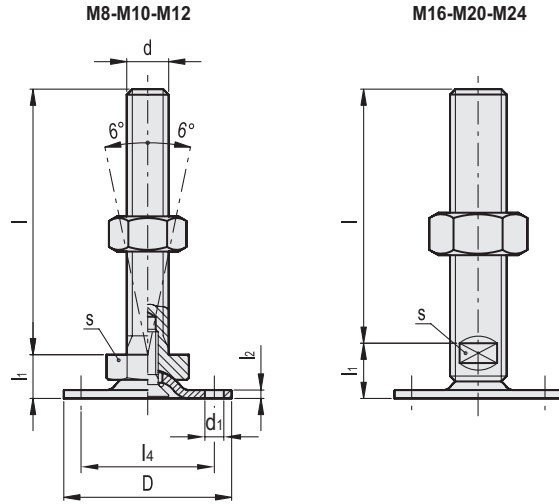


LMP-SST-FF (d)

INOX STAINLESS STEEL

Code	Description	D	d	d1	l1	l2	l4	h	s	Max. limit static load [N]	
403101	LMP.40-SST-M8-FF	40	M8	5.4	25	2	30	8	14	8000	63
403103	LMP.40-SST-M10-FF	40	M10	5.4	28	2	30	10	14	12000	61
404493	LMP.40-SST-M12-FF	40	M12	5.4	31	2	30	12	17	12000	68
403141	LMP.50-SST-M8-FF	50	M8	6.6	25	2.5	38	8	14	8000	81
403143	LMP.50-SST-M10-FF	50	M10	6.6	28	2.5	38	10	14	14000	79
403191	LMP.60-SST-M8-FF	60	M8	6.6	25	2.5	48	8	14	8000	98
403193	LMP.60-SST-M10-FF	60	M10	6.6	28	2.5	48	10	14	14000	96
403195	LMP.60-SST-M12-FF	60	M12	6.6	32	2.5	48	12	17	16000	111
403241	LMP.80-SST-M10-FF	80	M10	8.6	29	3	64	10	14	14000	156
403243	LMP.80-SST-M12-FF	80	M12	8.6	32	3	64	12	17	20000	172
403245	LMP.80-SST-M16-FF	80	M16	8.6	38	3	64	16	22	20000	189

Levelling feet and supports



LMP-SST-FF (d - l)

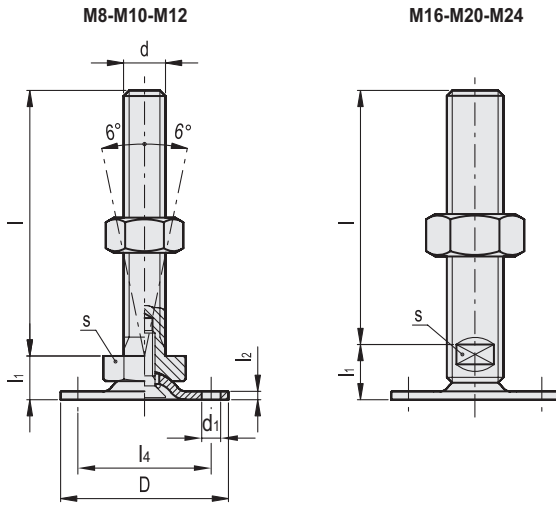


Code	Description	D	d	d1	l	l1	l2	l4	s	s1	Max. limit static load [N]	⚖️
403111	LMP.40-SST-M8x40-FF	40	M8	5.4	40	11	2	30	17	-	8000	45
403113	LMP.40-SST-M8x50-FF	40	M8	5.4	50	11	2	30	17	-	8000	48
403115	LMP.40-SST-M8x63-FF	40	M8	5.4	63	11	2	30	17	-	8000	52
403121	LMP.40-SST-M10x50-FF	40	M10	5.4	50	11	2	30	17	-	12000	82
403123	LMP.40-SST-M10x60-FF	40	M10	5.4	60	11	2	30	17	-	12000	86
403125	LMP.40-SST-M10x80-FF	40	M10	5.4	80	11	2	30	17	-	12000	96
403127	LMP.40-SST-M10x100-FF	40	M10	5.4	100	11	2	30	17	-	12000	106
403131	LMP.40-SST-M12x60-FF	40	M12	5.4	60	11	2	30	17	-	12000	104
403133	LMP.40-SST-M12x80-FF	40	M12	5.4	80	11	2	30	17	-	12000	119
403135	LMP.40-SST-M12x100-FF	40	M12	5.4	100	11	2	30	17	-	12000	133
403137	LMP.40-SST-M12x125-FF	40	M12	5.4	125	11	2	30	17	-	12000	159
403151	LMP.50-SST-M8x40-FF	50	M8	6.6	40	11	2.5	38	17	-	8000	63
403153	LMP.50-SST-M8x50-FF	50	M8	6.6	50	11	2.5	38	17	-	8000	66
403155	LMP.50-SST-M8x63-FF	50	M8	6.6	63	11	2.5	38	17	-	8000	70
403161	LMP.50-SST-M10x50-FF	50	M10	6.6	50	11	2.5	38	17	-	14000	83
403163	LMP.50-SST-M10x60-FF	50	M10	6.6	60	11	2.5	38	17	-	14000	104
403165	LMP.50-SST-M10x80-FF	50	M10	6.6	80	11	2.5	38	17	-	14000	114
403167	LMP.50-SST-M10x100-FF	50	M10	6.6	100	11	2.5	38	17	-	14000	124
403171	LMP.50-SST-M12x60-FF	50	M12	6.6	60	11	2.5	38	17	-	14000	122
403173	LMP.50-SST-M12x80-FF	50	M12	6.6	80	11	2.5	38	17	-	14000	137
403175	LMP.50-SST-M12x100-FF	50	M12	6.6	100	11	2.5	38	17	-	14000	151
403177	LMP.50-SST-M12x125-FF	50	M12	6.6	125	11	2.5	38	17	-	14000	177
403181	LMP.50-SST-M16x75-FF	50	M16	6.6	75	17	2.5	38	12	8	14000	169
403183	LMP.50-SST-M16x100-FF	50	M16	6.6	100	17	2.5	38	12	8	14000	201
403185	LMP.50-SST-M16x125-FF	50	M16	6.6	125	17	2.5	38	12	8	14000	233
403187	LMP.50-SST-M16x150-FF	50	M16	6.6	150	17	2.5	38	12	8	14000	265
403189	LMP.50-SST-M16x200-FF	50	M16	6.6	200	17	2.5	38	12	8	14000	325



Levelling feet and supports

- 1
- 2
- 3
- 4
- 5
- 6
- 7
- 8
- 9
- 10
- 11
- 12
- 13
- 14
- 15
- 16
- 17
- 18

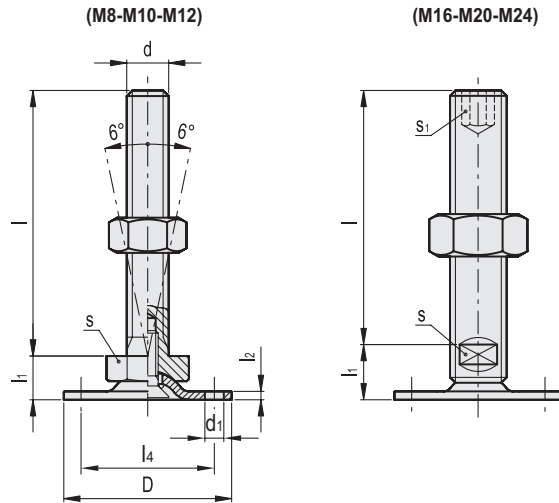


**INOX** STAINLESS STEEL

LMP-SST-FF (d - l)

Code	Description	D	d	d1	l	l1	l2	l4	s	s1	Max. limit static load [N]	⚖
403201	LMP.60-SST-M8x40-FF	60	M8	6.6	40	11	2.5	48	17	-	8000	80
403203	LMP.60-SST-M8x50-FF	60	M8	6.6	50	11	2.5	48	17	-	8000	83
403205	LMP.60-SST-M8x63-FF	60	M8	6.6	63	11	2.5	48	17	-	8000	87
403211	LMP.60-SST-M10x50-FF	60	M10	6.6	50	11	2.5	48	17	-	14000	116
403213	LMP.60-SST-M10x60-FF	60	M10	6.6	60	11	2.5	48	17	-	14000	121
403215	LMP.60-SST-M10x80-FF	60	M10	6.6	80	11	2.5	48	17	-	14000	130
403217	LMP.60-SST-M10x100-FF	60	M10	6.6	100	11	2.5	48	17	-	14000	140
403221	LMP.60-SST-M12x60-FF	60	M12	6.6	60	11	2.5	48	17	-	16000	138
403223	LMP.60-SST-M12x80-FF	60	M12	6.6	80	11	2.5	48	17	-	16000	153
403225	LMP.60-SST-M12x100-FF	60	M12	6.6	100	11	2.5	48	17	-	16000	167
403227	LMP.60-SST-M12x125-FF	60	M12	6.6	125	11	2.5	48	17	-	16000	189
403231	LMP.60-SST-M16x75-FF	60	M16	6.6	75	17	2.5	48	12	8	16000	186
403233	LMP.60-SST-M16x100-FF	60	M16	6.6	100	17	2.5	48	12	8	16000	218
403235	LMP.60-SST-M16x125-FF	60	M16	6.6	125	17	2.5	48	12	8	16000	250
403237	LMP.60-SST-M16x150-FF	60	M16	6.6	150	17	2.5	48	12	8	16000	282
403239	LMP.60-SST-M16x200-FF	60	M16	6.6	200	17	2.5	48	12	8	16000	342

Levelling feet and supports



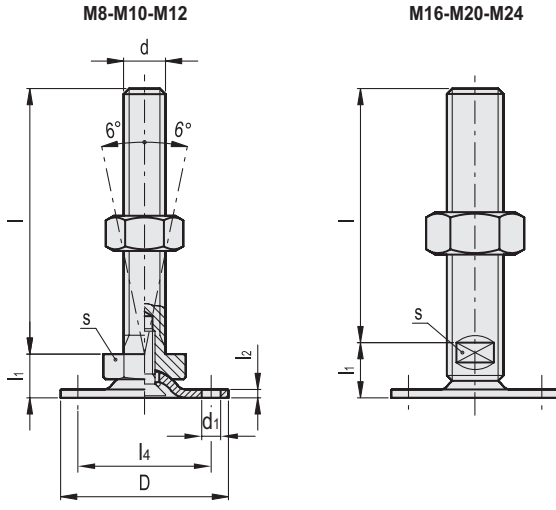
LMP-SST-FF (d - l)



Code	Description	D	d	d1	l	l1	l2	l4	s	s1	Max. limit static load [N]	⚖️
403251	LMP.80-SST-M8x40-FF	80	M8	8.6	40	12	3	64	17	-	8000	140
403253	LMP.80-SST-M8x50-FF	80	M8	8.6	50	12	3	64	17	-	8000	143
403255	LMP.80-SST-M8x63-FF	80	M8	8.6	63	12	3	64	17	-	8000	147
403261	LMP.80-SST-M10x50-FF	80	M10	8.6	50	12	3	64	17	-	14000	177
403263	LMP.80-SST-M10x60-FF	80	M10	8.6	60	12	3	64	17	-	14000	182
403265	LMP.80-SST-M10x80-FF	80	M10	8.6	80	12	3	64	17	-	14000	191
403267	LMP.80-SST-M10x100-FF	80	M10	8.6	100	12	3	64	17	-	14000	167
403271	LMP.80-SST-M12x60-FF	80	M12	8.6	60	12	3	64	17	-	20000	199
403273	LMP.80-SST-M12x80-FF	80	M12	8.6	80	12	3	64	17	-	20000	200
403275	LMP.80-SST-M12x100-FF	80	M12	8.6	100	12	3	64	17	-	20000	228
403277	LMP.80-SST-M12x125-FF	80	M12	8.6	125	12	3	64	17	-	20000	275
403281	LMP.80-SST-M16x75-FF	80	M16	8.6	75	18	3	64	12	8	20000	247
403283	LMP.80-SST-M16x100-FF	80	M16	8.6	100	18	3	64	12	8	20000	279
403285	LMP.80-SST-M16x125-FF	80	M16	8.6	125	18	3	64	12	8	20000	320
403287	LMP.80-SST-M16x150-FF	80	M16	8.6	150	18	3	64	12	8	20000	343
403289	LMP.80-SST-M16x200-FF	80	M16	8.6	200	18	3	64	12	8	20000	403
403291	LMP.80-SST-M20x75-FF	80	M20	8.6	75	19	3	64	15	10	20000	340
403293	LMP.80-SST-M20x100-FF	80	M20	8.6	100	19	3	64	15	10	20000	390
403295	LMP.80-SST-M20x125-FF	80	M20	8.6	125	19	3	64	15	10	20000	440
403297	LMP.80-SST-M20x150-FF	80	M20	8.6	150	19	3	64	15	10	20000	489
403299	LMP.80-SST-M20x200-FF	80	M20	8.6	200	19	3	64	15	10	20000	580
403301	LMP.80-SST-M24x100-FF	80	M24	8.6	100	22	3	64	19	12	22000	534
403303	LMP.80-SST-M24x125-FF	80	M24	8.6	125	22	3	64	19	12	22000	606
403305	LMP.80-SST-M24x150-FF	80	M24	8.6	150	22	3	64	19	12	22000	678
403307	LMP.80-SST-M24x200-FF	80	M24	8.6	200	22	3	64	19	12	22000	816



- 1
- 2
- 3
- 4
- 5
- 6
- 7
- 8
- 9
- 10
- 11
- 12
- 13
- 14
- 15
- 16
- 17
- 18

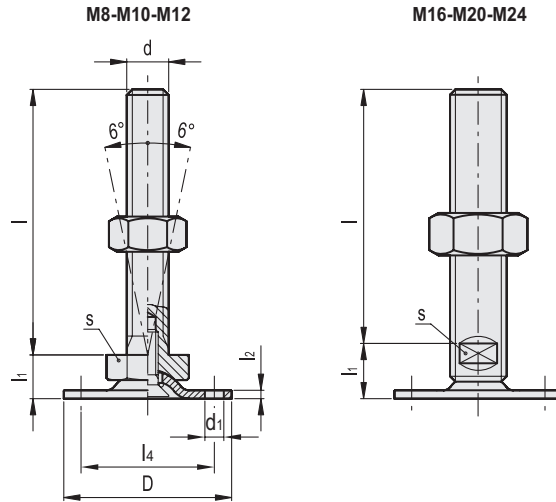


INOX STAINLESS STEEL

LMP-A4-FF (d - l)

Code	Description	D	d	d1	l	l1	l2	l4	s	Max. limit static load [N]	⚖️
395062	LMP.40-A4-M8x40-FF	40	M8	5.4	40	11	2	30	17	12000	38
395066	LMP.40-A4-M8x50-FF	40	M8	5.4	50	11	2	30	17	12000	142
395070	LMP.40-A4-M8x63-FF	40	M8	5.4	63	11	2	30	17	12000	146
395002	LMP.40-A4-M10x50-FF	40	M10	5.4	50	11	2	30	17	12000	175
395006	LMP.40-A4-M10x60-FF	40	M10	5.4	60	11	2	30	17	12000	175
395010	LMP.40-A4-M10x80-FF	40	M10	5.4	80	11	2	30	17	12000	185
395014	LMP.40-A4-M10x100-FF	40	M10	5.4	100	11	2	30	17	12000	196
395032	LMP.40-A4-M12x60-FF	40	M12	5.4	60	11	2	30	17	12000	66
395036	LMP.40-A4-M12x80-FF	40	M12	5.4	80	11	2	30	17	12000	203
395040	LMP.40-A4-M12x100-FF	40	M12	5.4	100	11	2	30	17	12000	218
395044	LMP.40-A4-M12x125-FF	40	M12	5.4	125	11	2	30	17	12000	235
395202	LMP.50-A4-M8x40-FF	50	M8	6.6	40	11	2.5	38	17	14000	60
395206	LMP.50-A4-M8x50-FF	50	M8	6.6	50	11	2.5	38	17	14000	60
395210	LMP.50-A4-M8x63-FF	50	M8	6.6	63	11	2.5	38	17	14000	63
395232	LMP.50-A4-M10x50-FF	50	M10	6.6	50	11	2.5	38	17	14000	90
395236	LMP.50-A4-M10x60-FF	50	M10	6.6	60	11	2.5	38	17	14000	94
395240	LMP.50-A4-M10x80-FF	50	M10	6.6	80	11	2.5	38	17	14000	104
395244	LMP.50-A4-M10x100-FF	50	M10	6.6	100	11	2.5	38	17	14000	120
395262	LMP.50-A4-M12x60-FF	50	M12	6.6	60	11	2.5	38	17	14000	108
395266	LMP.50-A4-M12x80-FF	50	M12	6.6	80	11	2.5	38	17	14000	110
395270	LMP.50-A4-M12x100-FF	50	M12	6.6	100	11	2.5	38	17	14000	137
395274	LMP.50-A4-M12x125-FF	50	M12	6.6	125	11	2.5	38	17	14000	154
395292	LMP.50-A4-M16x75-FF	50	M16	6.6	75	17	2.5	38	12	14000	104
395296	LMP.50-A4-M16x100-FF	50	M16	6.6	100	17	2.5	38	12	14000	107
395300	LMP.50-A4-M16x125-FF	50	M16	6.6	125	17	2.5	38	12	14000	140
395304	LMP.50-A4-M16x150-FF	50	M16	6.6	150	17	2.5	38	12	14000	158
395308	LMP.50-A4-M16x200-FF	50	M16	6.6	200	17	2.5	38	12	14000	112

Levelling feet and supports



LMP-A4-FF (d - l)



Code	Description	D	d	d1	l	l1	l2	l4	s	Max. limit static load [N]	⚖️
395402	LMP.60-A4-M8x40-FF	60	M8	6.6	40	11	2.5	48	17	8000	74
395406	LMP.60-A4-M8x50-FF	60	M8	6.6	50	11	2.5	48	17	8000	78
395410	LMP.60-A4-M8x63-FF	60	M8	6.6	63	11	2.5	48	17	8000	82
395432	LMP.60-A4-M10x50-FF	60	M10	6.6	50	11	2.5	48	17	14000	107
395436	LMP.60-A4-M10x60-FF	60	M10	6.6	60	11	2.5	48	17	14000	111
395440	LMP.60-A4-M10x80-FF	60	M10	6.6	80	11	2.5	48	17	14000	121
395444	LMP.60-A4-M10x100-FF	60	M10	6.6	100	11	2.5	48	17	14000	120
395462	LMP.60-A4-M12x60-FF	60	M12	6.6	60	11	2.5	48	17	16000	125
395466	LMP.60-A4-M12x80-FF	60	M12	6.6	80	11	2.5	48	17	16000	139
395470	LMP.60-A4-M12x100-FF	60	M12	6.6	100	11	2.5	48	17	16000	154
395474	LMP.60-A4-M12x125-FF	60	M12	6.6	125	11	2.5	48	17	16000	171
395492	LMP.60-A4-M16x75-FF	60	M16	6.6	75	17	2.5	48	12	16000	144
395496	LMP.60-A4-M16x100-FF	60	M16	6.6	100	17	2.5	48	12	16000	158
395500	LMP.60-A4-M16x125-FF	60	M16	6.6	125	17	2.5	48	12	16000	175
395504	LMP.60-A4-M16x150-FF	60	M16	6.6	150	17	2.5	48	12	16000	180
395508	LMP.60-A4-M16x200-FF	60	M16	6.6	200	17	2.5	48	12	16000	185
395602	LMP.80-A4-M8x40-FF	80	M8	8.5	40	12	3	64	17	8000	138
395606	LMP.80-A4-M8x50-FF	80	M8	8.5	50	12	3	64	17	8000	142
395610	LMP.80-A4-M8x63-FF	80	M8	8.5	63	12	3	64	17	8000	146
395632	LMP.80-A4-M10x50-FF	80	M10	8.5	50	12	3	64	17	14000	171
395636	LMP.80-A4-M10x60-FF	80	M10	8.5	60	12	3	64	17	14000	175
395640	LMP.80-A4-M10x80-FF	80	M10	8.5	80	12	3	64	17	14000	198
395644	LMP.80-A4-M10x100-FF	80	M10	8.5	100	12	3	64	17	14000	196
395662	LMP.80-A4-M12x60-FF	80	M12	8.5	60	12	3	64	17	20000	150
395666	LMP.80-A4-M12x80-FF	80	M12	8.5	80	12	3	64	17	20000	203
395670	LMP.80-A4-M12x100-FF	80	M12	8.5	100	12	3	64	17	20000	218
395674	LMP.80-A4-M12x125-FF	80	M12	8.5	125	12	3	64	17	20000	235
395692	LMP.80-A4-M16x75-FF	80	M16	8.5	75	18	3	64	12	20000	200
395696	LMP.80-A4-M16x100-FF	80	M16	8.5	100	18	3	64	12	20000	222
395700	LMP.80-A4-M16x125-FF	80	M16	8.5	125	18	3	64	12	20000	239
395704	LMP.80-A4-M16x150-FF	80	M16	8.5	150	18	3	64	12	20000	250
395708	LMP.80-A4-M16x200-FF	80	M16	8.5	200	18	3	64	12	20000	261
395732	LMP.80-A4-M20x75-FF	80	M20	8.5	75	19	3	64	15	20000	205
395736	LMP.80-A4-M20x100-FF	80	M20	8.5	100	19	3	64	15	20000	226
395740	LMP.80-A4-M20x125-FF	80	M20	8.5	125	19	3	64	15	20000	245
395744	LMP.80-A4-M20x150-FF	80	M20	8.5	150	19	3	64	15	20000	254
395748	LMP.80-A4-M20x200-FF	80	M20	8.5	200	19	3	64	15	20000	265
395772	LMP.80-A4-M24x100-FF	80	M24	8.5	100	22	3	64	19	20000	230
395776	LMP.80-A4-M24x125-FF	80	M24	8.5	125	22	3	64	19	20000	249
395780	LMP.80-A4-M24x150-FF	80	M24	8.5	150	22	3	64	19	20000	259
395784	LMP.80-A4-M24x200-FF	80	M24	8.5	200	22	3	64	19	20000	269



Levelling feet and supports