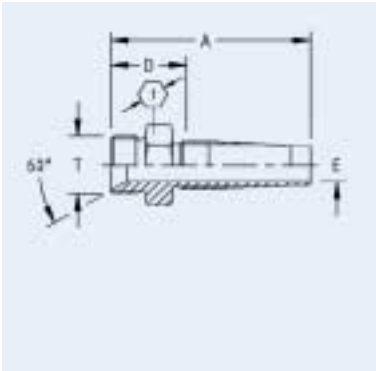
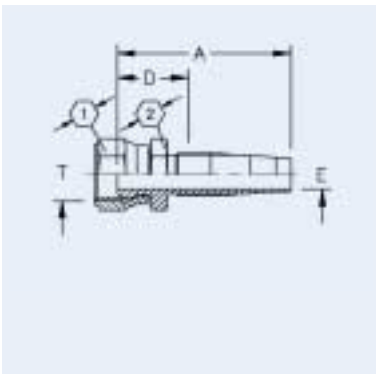


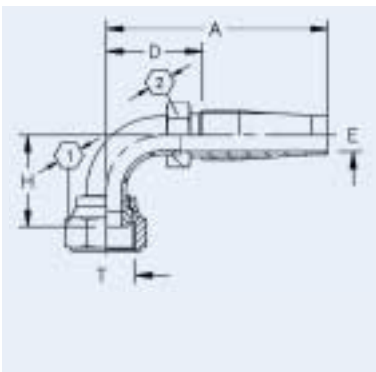
Reusable Fittings	Wiederverwendbare Armaturen	Embouts réutilisables	Raccordi riutilizzabili	Racores reutilizables
------------------------------	--	----------------------------------	------------------------------------	----------------------------------

BP (Reusable)**BSP Male Parallel,
Cone 60°****Außengewinde-
anschluss BSP,
60° Konus****Mâle BSP
cylindrique, cone
60°****Maschio gas
BSP, metrico 60°****Macho fijo BSP
cono de 60°**

Part Number	Thread T	Flange	Tube O.D. mm	Hose ND	Hose Size	A mm	D mm	H mm	E mm	K Ø mm	HEX [1]	HEX [2]
11.020-8-8	G 1/2"			12	-8	74,5	36		10,0		24	
11.020-10-10	G 5/8"			16	-10	78,5	38		13,0		24	
11.020-12-10	G 3/4"			16	-10	79,5	39		13,0		27	
11.020-12-12	G 3/4"			19	-12	90,0	42		15,5		27	
11.020-16-12	G 1"			19	-12	93,5	46		15,5		36	
11.020-16-16	G 1"			25	-16	104,5	54		20,5		36	

BF (Reusable)**BSP Female
Swivel for cone
60°****BSP-Dichtkopf für
Konus 60°****Globeseal BSP,
cone 60°****Femmina girevole
gas per maschio
metrico 60°****Hembra loca BSP
para macho con
cono de 60°**

Part Number	Thread T	Flange	Tube O.D. mm	Hose ND	Hose Size	A mm	D mm	H mm	E mm	K Ø mm	HEX [1]	HEX [2]
11.420-8-8	G 1/2"			12	-8	73,5	34,5		10,0		27	27
11.420-10-10	G 5/8"			16	-10	75,0	36,0		13,0		27	27
11.420-12-12	G 3/4"			19	-12	87,5	40,0		15,5		32	32
11.420-16-16	G 1"			25	-16	100,5	49,5		20,5		41	41

BFB (Reusable)**BSP Female
Swivel for cone
60°, 90° Elbow****BSP-Dichtkopf für
Konus 60°, 90°
Krümmer****Globeseal BSP,
cone 60°, coude
90°****Femmina girevole
gas per maschio
metrico 60°, a 90°****Hembra loca BSP
p. macho con cono
de 60° acodado a
90°**

Part Number	Thread T	Flange	Tube O.D. mm	Hose ND	Hose Size	A mm	D mm	H mm	E mm	K Ø mm	HEX [1]	HEX [2]
11.139-8-8	G 1/2"			12	-8	81,0	42,0	31,8	10,0		27	19
11.139-10-10	G 5/8"			16	-10	86,0	45,5	36,0	13,0		27	22
11.139-12-12	G 3/4"			19	-12	115,5	68,0	55,7	15,5		32	27
11.139-16-16	G 1"			25	-16	140,5	89,5	69,2	20,5		41	32

* Sockets must be ordered separately.

* Fassungen müssen separat bestellt werden.

* Les jupes doivent être commandées sép.

* Le boccole devono essere ordinate sep.

* Los manguitos tienen que pedirse por separado.