

Self Clinch Nuts



DESCRIPTION

Self-Clinching Nuts with bright zinc-plated, passivated finish. Designed to provide strong threads in thin material. They provide a solution where loose nuts might not be accessible for removal/replacement of parts. The nuts can be easily fitted with a simple press and give a flush finish to the reverse side of the sheet.

DISTINCTIVE FEATURES

- Serrated Clinching Ring
- Zinc & Clear Cr3 Finish
- Steel Grade 4.8
- Round style
- M3, M4 and M5 options
- Supplied in packs of 50

APPLICATIONS

Designed for use with thin sheet materials and to provide a reusable fixing thread in areas that are inaccessible or space is restricted. Typical Applications include Electronics, Audio, Electrical, Automotive, Enclosures, White goods, Heating and Ventilation and Telecommunications.

Steel

Zinc
& Clear
Cr3





GENERAL SPECIFICATION

| | |
|--------|--------------------|
| Series | Self Clinch Nuts |
| Type | Standard Press Fit |



MATERIALS

| | |
|----------|------------------|
| Material | Steel |
| Finish | Zinc & Clear Cr3 |



ENVIRONMENTAL/OPERATING SPECIFICATION

Laboratory tests in steel sheet

| Order code | Size | Installation | Torque out | Pushout |
|----------------|---------|----------------|------------|---------|
| 33-7131 | M3 x -1 | 11.2 - 15.6 kN | 1.75 Nm | 560 N |
| 33-7132 | M3 x -2 | 11.2 - 15.6 kN | 2 Nm | 1020 N |
| 33-7133 | M4 x -2 | 18 - 27 kN | 5 Nm | 1255 N |
| 33-7134 | M5 x -2 | 18 - 38 kN | 6.9 Nm | 1115 N |



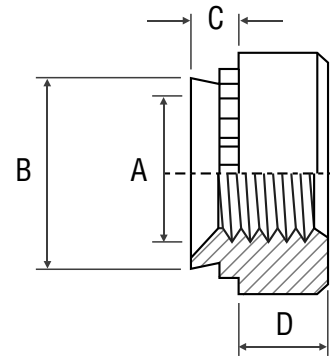
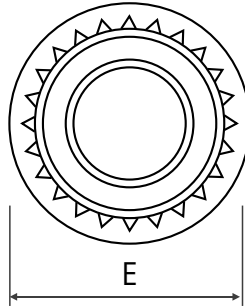
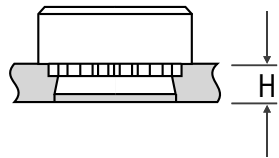
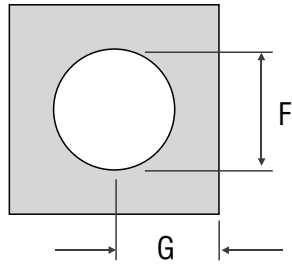
CERTIFICATION AND STANDARDS

| | |
|------------------------|---------------|
| Material Specification | 80RB Hardness |
|------------------------|---------------|



DIMENSIONS/DRAWINGS

| | |
|-------|------------------------------|
| Units | mm - unless stated otherwise |
|-------|------------------------------|



PART NUMBER TABLE

| Part number | A | B | C | D | E | F | G | H | UNSPSC | EAN | Country of Origin |
|----------------|---------|------|------|-----|------|-----------|----------|----------|----------|---------------|-------------------|
| 33-7131 | M3 x -1 | 4.2 | 0.97 | 1.5 | 6.35 | 4.22-4.3 | 4.8 min. | 1 min. | 73181900 | 5053556010448 | China |
| 33-7132 | M3 x -2 | 4.2 | 1.38 | 1.5 | 6.35 | 4.22-4.3 | 4.8 min. | 1.4 min. | 73181900 | 5053556010455 | China |
| 33-7133 | M4 x -2 | 5.38 | 1.38 | 2.0 | 7.95 | 5.41-5.49 | 6.9 min. | 1.4 min. | 73181900 | 5053556010462 | China |
| 33-7134 | M5 x -2 | 6.33 | 1.38 | 2.0 | 8.75 | 6.35-6.43 | 7.1 min. | 1.4 min. | 73181900 | 5053556010479 | China |

For further information on pricing, delivery, and long-term stock agreements please get in touch with your local business development contact, telephone our main office on **01206 838000** or email **Sales@Rapidonline.com**.



Important Notice: This data sheet and its contents (the "Information") belong to Rapid Electronics Limited or are licensed to it. No licence is granted for the use of it other than for information purposes in connection with the products to which it relates. No licence of any intellectual property rights is granted. The Information is subject to change without notice and replaces all data sheets previously supplied. The Information supplied is believed to be accurate but Rapid Electronics Limited assumes no responsibility for its accuracy or completeness, any error in or omission from it or for any use made of it. Users of this data sheet should check for themselves the Information and the suitability of the products for their purpose and not make any assumptions based on information included or omitted. Liability for loss or damage resulting from any reliance on the Information or use of it (including liability resulting from negligence or where Rapid Electronics Limited were aware of the possibility of such loss or damage arising) is excluded. This will not operate to limit or restrict Rapid Electronics Limited's liability for death or personal injury resulting from its negligence.