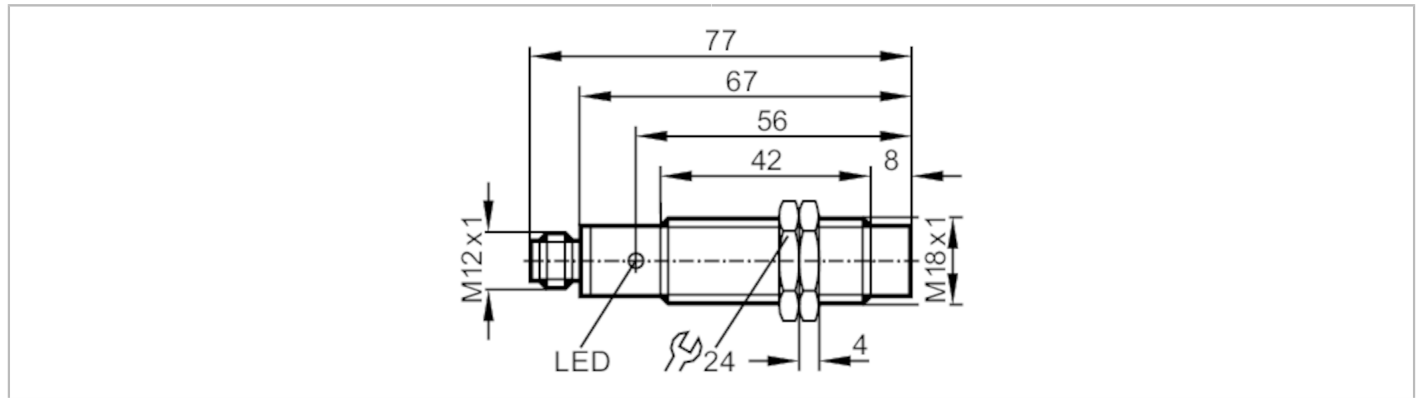




## Inductive sensor

IGA2008-FRKG/V4A/US-100-IRF/RT



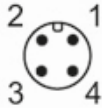
Product characteristics	
Electrical design	PNP/NPN
Output function	normally open / normally closed; (selectable)
Sensing range [mm]	8
Housing	threaded type
Dimensions [mm]	M18 x 1 / L = 77
Application	
Special feature	Gold-plated contacts
Electrical data	
Operating voltage [V]	10...55 DC
Protection class	II
Reverse polarity protection	yes
Outputs	
Electrical design	PNP/NPN
Output function	normally open / normally closed; (selectable)
Max. voltage drop switching output DC [V]	4.6
Minimum load current [mA]	4
Max. leakage current [mA]	0.6
Permanent current rating of switching output DC [mA]	300
Switching frequency DC [Hz]	300
Short-circuit protection	yes
Type of short-circuit protection	pulsed
Overload protection	yes
Detection zone	
Sensing range [mm]	8
Real sensing range Sr [mm]	8 ± 10 %
Operating distance [mm]	0...6.5

# IG5772



## Inductive sensor

IGA2008-FRKG/V4A/US-100-IRF/RT

Accuracy / deviations		
Correction factor	steel: 1 / stainless steel: 0.7 / brass: 0.4 / aluminium: 0.4 / copper: 0.3	
Hysteresis [% of Sr]	3...15	
Switch point drift [% of Sr]	-10...10	
Operating conditions		
Ambient temperature [°C]	-25...80	
Protection	IP 67	
Tests / approvals		
EMC	EN 60947-5-2	
	EN 55011	class B
MTTF [years]	1806	
UL approval	Ta	0...40 °C
	Enclosure type	Type 1
	voltage supply	Hazardous voltage
	File number UL	E174191
Mechanical data		
Weight [g]	62.9	
Housing	threaded type	
Mounting	non-flush mountable	
Dimensions [mm]	M18 x 1 / L = 77	
Thread designation	M18 x 1	
Materials	stainless steel (1.4571/316Ti); sensing face: PBT	
Displays / operating elements		
Display	switching status	1 x LED, red
Accessories		
Accessories (supplied)	lock nuts: 2	
Remarks		
Pack quantity	1 pcs.	
Electrical connection - plug		
Connector: 1 x M12; Contacts: gold-plated		
		

# IG5772



## Inductive sensor

IGA2008-FRKG/V4A/US-100-IRF/RT

