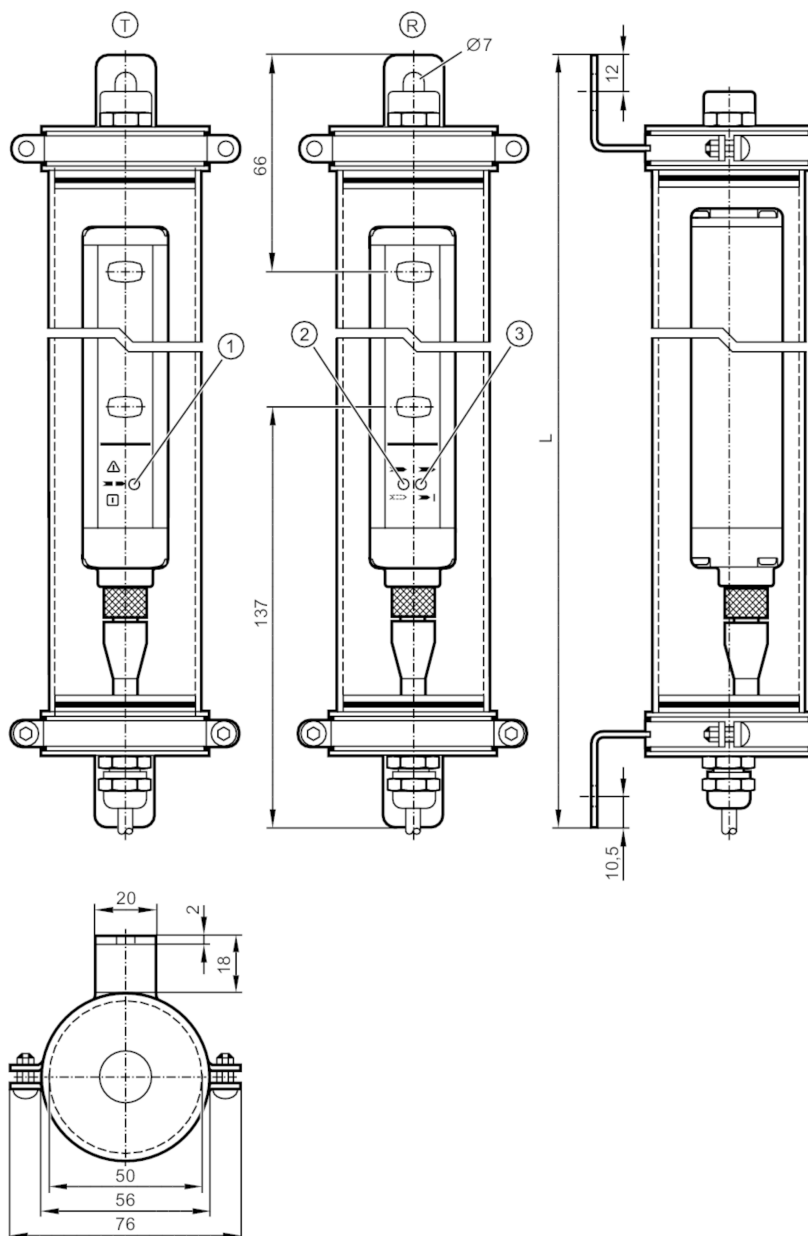


# OY407S



## Safety light curtain

OYA1060-14-4-05-P-1-A



- T transmitter
- R receiver
- 1 LED three-colour red / green / orange
- 2 LED 2-colour yellow/blue
- 3 LED 2-colour red/green



### Product characteristics

|                 |                |
|-----------------|----------------|
| Type of light   | infrared light |
| Dimensions [mm] | Ø 56           |

### Application

|                     |                                     |
|---------------------|-------------------------------------|
| Protective function | access prevention finger protection |
|---------------------|-------------------------------------|

# OY407S



## Safety light curtain

OYA1060-14-4-05-P-1-A

| Electrical data                              |      |  |
|--|------|--|
| Operating voltage tolerance                  | [%]  | 20   |
| Operating voltage                            | [V]  | 24 DC  |
| Protection class                             |      | III  |
| Reverse polarity protection                  |      | yes  |
| Power-on delay time                          | [s]  | < 2  |
| Type of light                                |      | infrared light                                       |
| Wave length                                  | [nm] | 950  |
| Receiver                                     |      |  |
| Current consumption                          | [mA] | 83   |
| Current consumption heating                  | [mA] | 417  |
| Transmitter                                  |      |  |
| Current consumption                          | [mA] | 42   |
| Current consumption heating                  | [mA] | 417  |
| Outputs                                      |      |  |
| Electrical design                            |      | PNP  |
| Number of OSSD outputs                       |      | 2  |
| Max. current load per OSSD output            | [mA] | 400; (24 V)  |
| Short-circuit protection                     |      | yes  |
| Detection zone                               |      |  |
| Protected area height                        | [mm] | 1060   |
| Resolution (detection capacity d)            | [mm] | 14   |
| Protection area width (low light intensity)  | [m]  | 0...2  |
| Protection area width (high light intensity) | [m]  | 1...5  |
| Response times                               |      |  |
| Response time                                | [ms] | 14.5   |
| Operating conditions                         |      |  |
| Ambient temperature                          | [°C] | -20...55   |
| Max. relative air humidity                   | [%]  | 95   |
| Protection                                   |      | IP 65; IP 67; IP 69K; (with protective tube: IP 69K) |
| Tests / approvals                            |      |  |
| EMC  |      | IEC 61496-1  |
| Shock resistance                             |      | IEC 61496-1  |
| Vibration resistance                         |      | IEC 61496-1  |

# OY407S



## Safety light curtain

OYA1060-14-4-05-P-1-A

| Safety classification           |             |  |
|---------------------------------|-------------|--|
| ESPE type (IEC 61496-1)         |             | 4  |
| ISO 13849-1                     |             | category 4, PL e   |
| IEC 61508                       |             | SIL 3  |
| IEC 62061                       |             | SIL cl 3   |
| Mission time TM                 | [h]         | 175200   |
| Safety-related reliability PFHD | [1/h]       | 2.5E-08  |
| Mechanical data                 |             |  |
| Weight                          | [g]         | 6620   |
| Dimensions                      | [mm]        | Ø 56   |
| Materials                       |             | thermowell: PMMA transparent; Protective cap: POM; clamp: stainless steel (1.4404 / 316L); Sealing: silicone |
| Length L                        | [mm]        | 1237   |
| Displays / operating elements   |             |  |
| Display                         | transmitter | 1 x LED  |
|                                 | receiver    | 2 x LED  |
| Remarks                         |             |  |
| Pack quantity                   |             | 1 pcs.   |

# OY407S



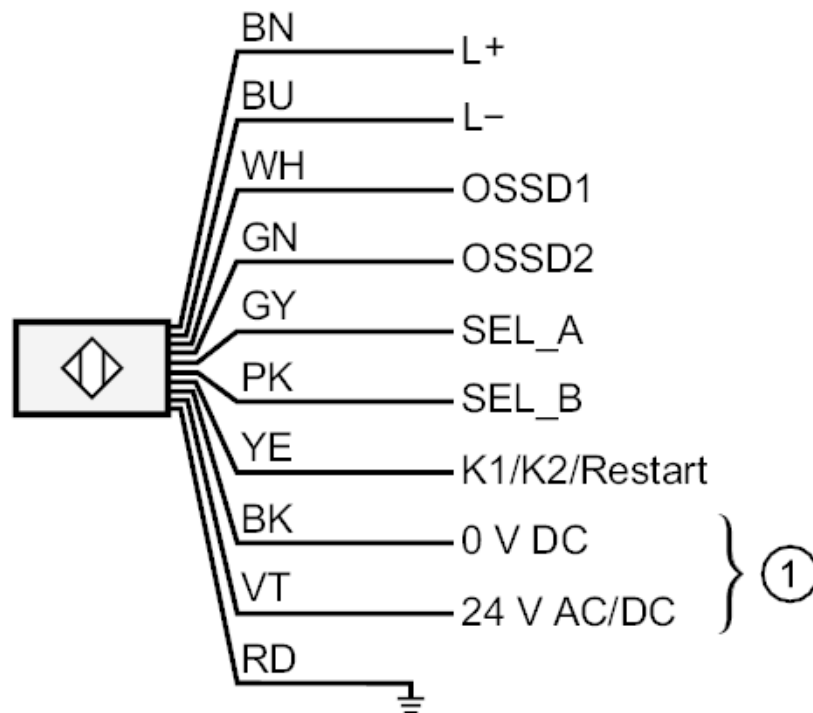
## Safety light curtain

OYA1060-14-4-05-P-1-A

### Electrical connection - receiver

Cable: 15 m, PVC; Maximum cable length: 100 m; 10 x 0.34 mm<sup>2</sup>

### Connection



1: heating

Core colours :

|      |        |
|------|--------|
| BK = | black  |
| BN = | brown  |
| BU = | blue   |
| GN = | green  |
| GY = | grey   |
| PK = | pink   |
| RD = | red    |
| VT = | lilac  |
| WH = | white  |
| YE = | yellow |

# OY407S



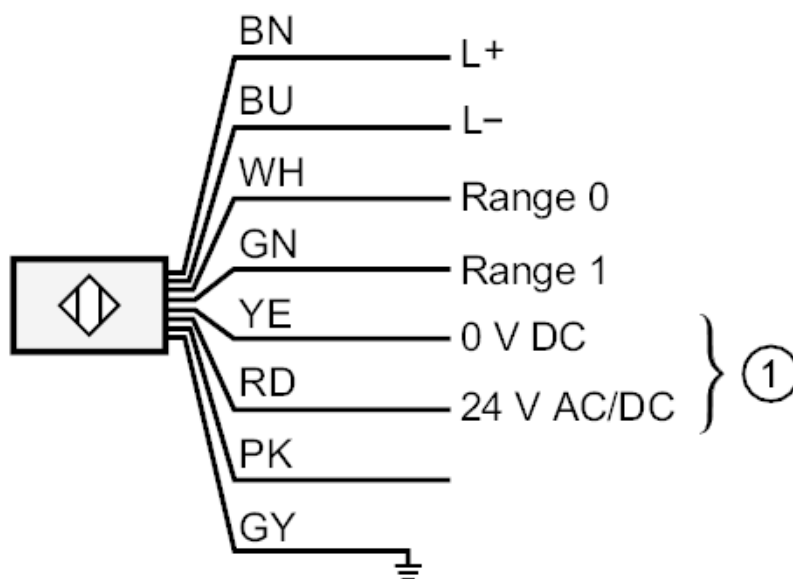
## Safety light curtain

OYA1060-14-4-05-P-1-A

### Electrical connection - transmitter

Cable: 15 m, PVC; 8 x 0.34 mm<sup>2</sup>

### Connection



1: heating

PK: not used

Core colours :

BN = brown

BU = blue

GN = green

GY = grey

PK = pink

RD = red

WH = white

YE = yellow