

3 - DISCONNECTS

MALE & FEMALE DISCONNECTS



Non-Insulated .....	<a href="#">52</a>
Vinyl Insulated .....	<a href="#">54</a>
PC Insulated .....	<a href="#">57</a>



<b>NYLON COUPLAR SETS .....</b>	<b><a href="#">58</a></b>
---------------------------------	---------------------------



<b>PIGGYBACK DISCONNECTS .....</b>	<b><a href="#">59</a></b>
------------------------------------	---------------------------



<b>KNIFE DISCONNECTS .....</b>	<b><a href="#">60</a></b>
--------------------------------	---------------------------



<b>FEMALE FLAG DISCONNECTS .....</b>	<b><a href="#">61</a></b>
--------------------------------------	---------------------------



MALE BULLETS AND FEMALE RECEPTACLES

Vinyl Insulated .....	<a href="#">62</a>
Nylon Insulated .....	<a href="#">64</a>



<b>OPEN BARREL MALE &amp; FEMALE DISCONNECTS .....</b>	<b><a href="#">65</a></b>
--	---------------------------



SPECIALTY CONNECTORS

Double Male and Female .....	<a href="#">66</a>
Quick Tap Splices .....	<a href="#">66</a>



<b>INSULATING SLEEVES .....</b>	<b><a href="#">67</a></b>
---------------------------------	---------------------------



## Disconnects

### Non-Insulated Female Disconnects

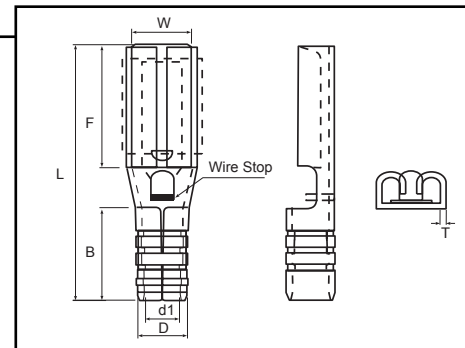
**Material:** Tin Plated Brass

**Temperature:** 300°F

**Maximum Electrical Rating:** 22-16: 10 Amps  
 16-14: 15 Amps  
 12-10: 24 Amps

**Barrel ID (d1):** .067  
**Barrel ID (d1):** .091  
**Barrel ID (d1):** .134

T= Material Thickness

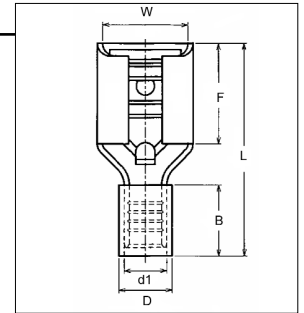


HOFFMAN PART NO.	WIRE SIZE	TAB	DIMENSIONS (INCHES)							UL	TAPE MOUNTED REEL QTY	DIE FOR TAPE MOUNT	HAND TOOL
			W	F	L	B	D	T					
DF2216T110A5	22-16	.110 x .020	0.126	0.256	0.535	0.189	0.106	0.012	N	1000	3Q2216	YHM228	
DF2216T110A8	22-16	.110 x .032	0.126	0.256	0.535	0.189	0.106	0.012	N	1000	3Q2216	YHM228	
DF2216T187A5	22-16	.187 x .020	0.199	0.248	0.543	0.189	0.106	0.014	N	1000	3Q2216	YHM228	
DF2216T187A5/J	22-16	.187 x .020	0.197	0.236	0.560	0.195	0.106	0.014	Y	1000	3Q2216	YHT2210	
DF2216T187A8	22-16	.187 x .032	0.199	0.248	0.543	0.189	0.106	0.014	N	1000	3Q2216	YHM228	
DF2216T187A8/J	22-16	.187 x .032	0.197	0.236	0.560	0.195	0.106	0.014	Y	1000	3Q2216	YHT2210	
DF2216T250A	22-16	.250 x .032	0.260	0.287	0.598	0.189	0.106	0.016	N	1000	3Q2216	YHM228	
DF2216T250A/J	22-16	.250 x .032	0.260	0.307	0.630	0.195	0.106	0.016	Y	1000	3Q2216	YHT2210	
DF1614T187A5	16-14	.187 x .020	0.200	0.248	0.543	0.189	0.130	0.014	N	1000	3Q1614	YHM228	
DF1614T187A5/J	16-14	.187 x .020	0.197	0.236	0.560	0.195	0.130	0.014	Y	1000	3Q1614	YHT2210	
DF1614T187A8	16-14	.187 x .032	0.199	0.252	0.543	0.189	0.130	0.014	N	1000	3Q1614	YHM228	
DF1614T250A	16-14	.250 x .032	0.260	0.287	0.598	0.189	0.130	0.016	N	1000	3Q1614	YHM228	
DF1614T250A/J	16-14	.250 x .032	0.260	0.307	0.630	0.195	0.130	0.016	Y	1000	3Q1614	YHT2210	
DF1210T250A	12-10	.250 x .032	0.260	0.287	0.638	0.228	0.177	0.016	N	500	3Q1210	YHM228	
DF1210T250A/J	12-10	.250 x .032	0.260	0.307	0.670	0.135	0.177	0.016	Y	500	3Q1210	YHT2210	



### Non-Insulated Female Disconnect with Copper Support Sleeve

**Material:** Tin Plated Brass with Tin Plated Copper Support Sleeve  
**Temperature:** 300°F



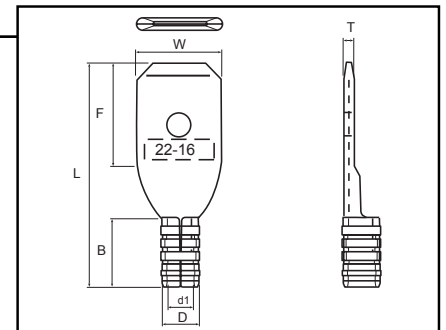
T = Material Thickness

HOFFMAN PART NO.	WIRE SIZE	TAB	DIMENSIONS (INCHES)							UL	TAPE MOUNTED REEL QTY	DIE FOR TAPE MOUNT	HAND TOOL
			W	F	L	B	D	T					
DDF2216T110A5/J	22-16	.110 x .020	0.126	0.252	0.577	0.232	0.114	0.016	Y	NA	NA	YDT2216	
DDF2216T110A8/J	22-16	.110 x .032	0.126	0.252	0.577	0.232	0.114	0.016	Y	NA	NA	YDT2216	
DDF2216T187A5/J	22-16	.187 x .020	0.197	0.236	0.597	0.232	0.114	0.016	Y	NA	NA	YDT2216	
DDF2216T187A8/J	22-16	.187 x .032	0.197	0.236	0.597	0.232	0.114	0.016	Y	NA	NA	YDT2216	
DDF2216T250A/J	22-16	.250 x .032	0.260	0.307	0.667	0.232	0.114	0.016	Y	NA	NA	YDT2216	
DDF1614T187A55.9/J	16-14	.187 x .020	0.197	0.236	0.597	0.232	0.138	0.016	Y	NA	NA	YDT1614	
DDF1614T187A85.9/J	16-14	.187 x .032	0.197	0.236	0.597	0.232	0.138	0.016	Y	NA	NA	YDT1614	
DDF1614T250A5.9/J	16-14	.250 x .032	0.260	0.307	0.667	0.232	0.138	0.016	Y	NA	NA	YDT1614	
DDF1210T250A6.9/J	12-10	.250 x .032	0.260	0.307	0.707	0.272	0.185	0.016	Y	NA	NA	YDT1210	

### Non-Insulated Male Disconnects

**Material:** Tin Plated Brass  
**Temperature:** 300°F  
**Maximum Electrical Rating:** 22-16: 10 Amps  
 16-14: 15 Amps  
 12-10: 24 Amps

**Barrel ID (d1):** .067  
**Barrel ID (d1):** .091  
**Barrel ID (d1):** .134



T = Material Thickness

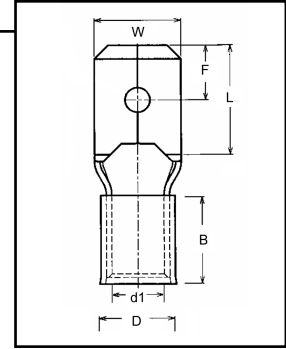
HOFFMAN PART NO.	WIRE SIZE	TAB	DIMENSIONS (INCHES)							UL	TAPE MOUNT REEL QTY	DIE FOR TAPE MOUNT	HAND TOOL
			W	F	L	B	D	T					
DM2216T187A5	22-16	.187 X .020	0.189	0.256	0.551	0.189	0.106	0.020	N	1000	3Q2216	YHM228	
DM2216T187A8	22-16	.187 X .032	0.189	0.264	0.551	0.189	0.106	0.016	N	1000	3Q2216	YHM228	
DM2216T250	22-16	.250 x .032	0.248	0.299	0.646	0.189	0.106	0.016	N	1000	3Q2216	YHM228	
DM1614T187A5	16-14	.187 X .020	0.189	0.256	0.551	0.189	0.130	0.020	N	1000	3Q1614	YHM228	
DM1614T187A8	16-14	.187 X .032	0.189	0.256	0.551	0.189	0.130	0.016	N	1000	3Q1614	YHM228	
DM1614T250	16-14	.250 x .032	0.248	0.299	0.646	0.189	0.130	0.016	N	1000	3Q1614	YHM228	
DM1210T250	12-10	.250 x .032	0.248	0.303	0.748	0.189	0.177	0.016	N	1000	3Q1210	YHM228	



## Non-Insulated Male Disconnect with Copper Support Sleeve

**Material:** Tin Plated Brass with Tin Plated Copper Support Sleeve

**Temperature:** 300°F



T= Material Thickness

HOFFMAN PART NO.	WIRE SIZE	TAB	DIMENSIONS (INCHES)							UL	TAPE MOUNT REEL QTY	DIE FOR TAPE MOUNT	HAND TOOL
			W	F	L	B	D	T					
DDM2216T2505.9/J	22-16	.250 x .032	0.248	0.315	0.650	0.195	0.114	0.016	Y	NA	NA	YDT2216	
DDM1614T2505.9/J	16-14	.250 x .032	0.248	0.315	0.650	0.195	0.138	0.016	Y	NA	NA	YDT1614	
DDM1210T2506.9/J	12-10	.250 x .032	0.248	0.315	0.748	0.235	0.185	0.016	Y	NA	NA	YDT1210	

## Vinyl Insulated Disconnects

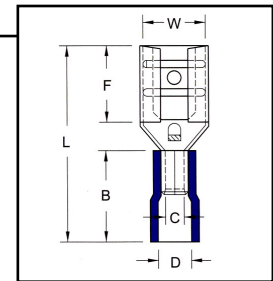
### Vinyl Insulated Female Disconnect

**Material:** Tin Plated Brass

**Insulation Material:** Vinyl

**Maximum Electrical Rating:** 75°C, 300V

**Maximum Electrical Current:** 22-16: 10 Amps  
16-14: 15 Amps  
12-10: 24 Amps



T= Material Thickness

HOFFMAN PART NO.	WIRE SIZE	TAB	DIMENSIONS (INCHES)							UL	TAPE MOUNT REEL QTY	DIE FOR TAPE MOUNT	HAND TOOL
			W	F	L	B	D	T					
FVDF2216T110A5	22-16	.110 x .020	0.126	0.256	0.732	0.394	0.157	0.012	Y	1000	3F2216	YNM2210C	
FVDF2216T110A8	22-16	.110 x .032	0.125	0.256	0.732	0.394	0.157	0.012	Y	1000	3F2216	YNM2210C	
FVDF2216T187A5	22-16	.187 x .020	0.197	0.252	0.748	0.394	0.157	0.014	Y	1000	3F2216	YNM2210C	
FVDF2216T187A8	22-16	.187 x .032	0.197	0.252	0.748	0.394	0.157	0.014	Y	1000	3F2216	YNM2210C	
FVDF2216T250A	22-16	.250 x .032	0.260	0.295	0.807	0.394	0.157	0.016	Y	1000	3F2216	YNM2210C	
FVDF1614T187A5	16-14	.187 x .020	0.197	0.252	0.748	0.394	0.177	0.014	Y	1000	3F1614	YNM2210C	
FVDF1614T187A8	16-14	.187 x .032	0.197	0.252	0.748	0.394	0.177	0.014	Y	1000	3F1614	YNM2210C	
FVDF1614T250A	16-14	.250 x .032	0.260	0.295	0.807	0.394	0.177	0.016	Y	1000	3F1614	YNM2210C	
FVDF1614T250A/J	16-14	.250 x .032	0.260	0.307	0.807	0.374	0.169	0.016	Y	1000	3F1614	YNT1614	
FVDF1210T250A	12-10	.250 x .032	0.260	0.295	0.925	0.512	0.512	0.016	Y	500	3F1210	YNM2210C	
FVDF1210T250A/J	12-10	.250 x .032	0.260	0.307	0.965	0.532	0.244	0.016	Y	500	3F1210	YNT1210S	

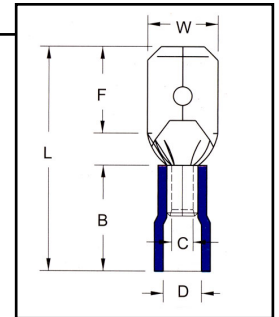
### Vinyl Insulated Male Disconnect

**Material:** Tin Plated Brass

**Insulation Material:** Vinyl

**Maximum Electrical Rating:** 75°C, 300V

**Maximum Electrical Current:** 22-16: 10 Amps  
 16-14: 15 Amps  
 12-10: 24 Amps



T= Material Thickness

HOFFMAN PART NO.	WIRE SIZE	TAB	DIMENSIONS (INCHES)							T	UL	TAPE MOUNT REEL QTY	DIE FOR TAPE MOUNT	HAND TOOL
			W	F	L	B	D							
FVDM2216T110A5	22-16	.110 x .020	0.110	0.256	0.728	0.394	0.157	0.020	Y	1000	3F2216	YNM2210C		
FVDM2216T110A8	22-16	.110 x .032	0.110	0.256	0.728	0.394	0.157	0.016	Y	1000	3F2216	YNM2210C		
FVDM2216T187A5	22-16	.187 x .020	0.189	0.256	0.748	0.394	0.157	0.020	Y	1000	3F2216	YNM2210C		
FVDM2216T187A8	22-16	.187 x .032	0.189	0.264	0.748	0.394	0.157	0.016	Y	1000	3F2216	YNM2210C		
FVDM2216T250	22-16	.250 x .032	0.250	0.303	0.827	0.394	0.157	0.016	Y	1000	3F2216	YNM2210C		
FVDM1614T187A5	16-14	.187 x .020	0.189	0.256	0.748	0.394	0.177	0.020	Y	1000	3F1614	YNM2210C		
FVDM1614T187A8	16-14	.187 x .032	0.189	0.264	0.748	0.394	0.177	0.016	Y	1000	3F1614	YNM2210C		
FVDM1614T250	16-14	.250 x .032	0.250	0.303	0.827	0.394	0.177	0.016	Y	1000	3F1614	YNM2210C		
FVDM1210T250	12-10	.250 x .032	0.250	0.303	0.945	0.512	0.217	0.016	Y	500	3F1210	YNM2210C		
FVDM1210T250/J	12-10	.250 x .032	0.248	0.335	0.965	0.531	0.244	0.016	Y	500	3F1210	YNT1210S		

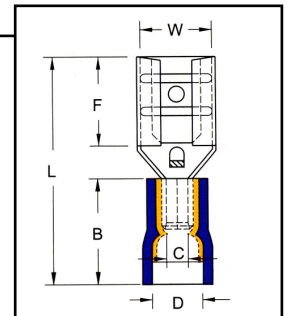
### Vinyl Insulated Female Disconnect with Support Sleeve

**Material:** Tin Plated Brass

**Insulation Material:** Vinyl

**Maximum Electrical Rating:** 75°C, 300V

**Maximum Electrical Current:** 22-16: 10 Amps  
 16-14: 15 Amps  
 12-10: 24 Amps



T= Material Thickness

HOFFMAN PART NO.	WIRE SIZE	TAB	DIMENSIONS (INCHES)							T	UL	TAPE MOUNT REEL QTY	DIE FOR TAPE MOUNT	HAND TOOL
			W	F	L	B	D							
FVHDF2216T110A5	22-16	.110 x .020	0.126	0.256	0.748	0.413	0.150	0.012	Y	1000	3V2216	YNM2210D		
FVHDF2216T110A8	22-16	.110 x .032	0.126	0.256	0.748	0.413	0.150	0.012	Y	1000	3V2216	YNM2210D		
FVHDF2216T187A5	22-16	.187 x .020	0.197	0.252	0.764	0.413	0.150	0.014	Y	1000	3V2216	YNM2210D		
FVHDF2216T187A8	22-16	.187 x .032	0.197	0.252	0.764	0.413	0.150	0.014	Y	1000	3V2216	YNM2210D		
FVHDF2216T250A	22-16	.250 x .032	0.260	0.295	0.819	0.413	0.150	0.016	Y	1000	3V2216	YNM2210D		
FVHDF1614T110A5	16-14	.110 x .020	0.126	0.256	0.748	0.413	0.185	0.012	Y	1000	3V1614	YNM2210D		
FVHDF1614T110A8	16-14	.110 x .032	0.126	0.256	0.748	0.413	0.185	0.012	Y	1000	3V1614	YNM2210D		
FVHDF1614T187A5	16-14	.187 x .020	0.197	0.252	0.764	0.413	0.185	0.014	Y	1000	3V1614	YNM2210D		
FVHDF1614T187A8	16-14	.187 x .032	0.197	0.252	0.764	0.413	0.185	0.014	Y	1000	3V1614	YNM2210D		
FVHDF1614T250A	16-14	.250 x .032	0.260	0.297	0.819	0.413	0.185	0.016	Y	1000	3V1614	YNM2210D		
FVDDF1210T250A	12-10	.250 x .032	0.260	0.295	0.917	0.512	0.244	0.016	Y	500	3V1210	YNM2210D		
FVDDF1210T250A/J	12-10	.250 x .032	0.291	0.307	0.965	0.531	0.244	0.016	Y	500	3V1210	YNT1210S		



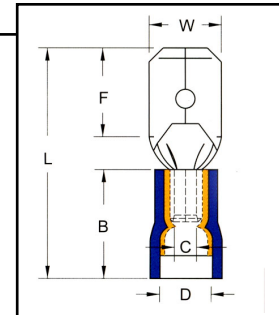
## Vinyl Insulated Male Disconnect with Support Sleeve

**Material:** Tin Plated Brass

**Insulation Material:** Vinyl

**Maximum Electrical Rating:** 75°C, 300V

**Maximum Electrical Current:** 22-16: 10 Amps  
 16-14: 15 Amps  
 12-10: 24 Amps



T = Material Thickness

HOFFMAN PART NO.	WIRE SIZE	TAB	DIMENSIONS (INCHES)							UL	TAPE MOUNT REEL QTY	DIE FOR TAPE MOUNT	HAND TOOL
			W	F	L	B	D	T					
FVDDM2216T250	22-16	.250 x .032	0.250	0.303	0.858	0.413	0.150	0.016	Y	1000	3V2216	YNM2210D	
FVDDM1614T250	16-14	.250 x .032	0.250	0.303	0.858	0.413	0.185	0.016	Y	1000	3V1614	YNM2210D	
FVDDM1614T250/J	16-14	.250 x .032	0.248	0.315	0.807	0.374	0.169	0.016	Y	1000	3V1614	YNT1614	
FVDDM1210T250	12-10	.250 x .032	0.250	0.303	0.945	0.512	0.244	0.016	Y	500	3V1210	YNM2210D	

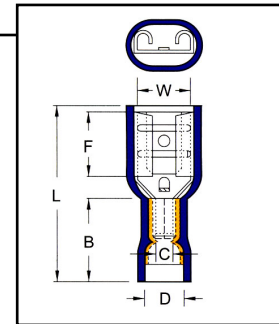
## Fully Vinyl Insulated Female Disconnect with Support Sleeve

**Material:** Tin Plated Brass

**Insulation Material:** Vinyl

**Maximum Electrical Rating:** 75°C, 300V

**Maximum Electrical Current:** 22-16: 10 Amps  
 16-14: 15 Amps  
 12-10: 24 Amps



T = Material Thickness

HOFFMAN PART NO.	WIRE SIZE	TAB	DIMENSIONS (INCHES)							UL	TAPE MOUNT REEL QTY	DIE FOR TAPE MOUNT	HAND TOOL
			W	F	L	B	D	T					
LVDHF2216T110A5	22-16	.110 X .020	0.126	0.256	0.748	0.413	0.150	0.012	Y	500	3V2216	YNM2210D	
LVDHF2216T110A8	22-16	.110 X .032	0.126	0.256	0.748	0.413	0.150	0.012	Y	500	3V2216	YNM2210D	
LVDHF2216T187A5	22-16	.187 x .020	0.197	0.252	0.807	0.413	0.150	0.014	Y	500	3V2216	YNM2210D	
LVDHF2216T187A8	22-16	.187 x .032	0.197	0.252	0.807	0.413	0.150	0.014	Y	500	3V2216	YNM2210D	
LVDHF2216T187A8/J	22-16	.187 x .032	0.224	0.236	0.807	0.433	0.142	0.014	Y	500	3V2216	YNT2216	
LVDHF2216T250A	22-16	.250 x .032	0.260	0.295	0.858	0.413	0.150	0.016	Y	500	3V2216	YNM2210D	
LVDHF1614T110A5	16-14	.110 X .020	0.126	0.256	0.748	0.413	0.185	0.012	Y	500	3V1614	YNM2210D	
LVDHF1614T110A8	16-14	.110 X .032	0.126	0.256	0.748	0.413	0.185	0.012	Y	500	3V1614	YNM2210D	
LVDHF1614T187A5	16-14	.187 x .020	0.197	0.252	0.795	0.413	0.185	0.014	Y	500	3V1614	YNM2210D	
LVDHF1614T187A8	16-14	.187 x .032	0.197	0.252	0.795	0.413	0.185	0.014	Y	500	3V1614	YNM2210D	
LVDHF1614T250A	16-14	.250 x .032	0.260	0.295	0.874	0.413	0.185	0.016	Y	500	3V1614	YNM2210D	
LVDDF1210T250A	12-10	.250 x .032	0.260	0.295	0.953	0.492	0.244	0.016	Y	500	3V1210	YNM2210D	
LVDDF1210T250A/J	12-10	.250 x .032	0.291	0.307	0.984	0.551	0.177	0.016	Y	500	3V1210	YNT1210S	

# PC Insulated Disconnects

## PC Insulated Female Disconnect with Support Sleeve

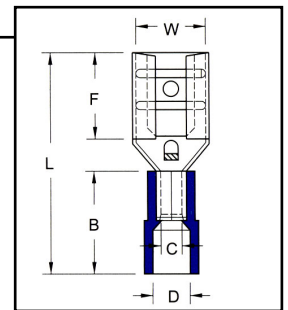
**Material:** Tin Plated Brass with Copper Support Sleeve

**Insulation Material:** PC Insulated

**Maximum Electrical Rating:** 125°C, 600V

**Maximum Electrical Current:** 22-16: 10 Amps  
 16-14: 15 Amps  
 12-10: 24 Amps

**Barrel ID (d1):** 0.067  
**Barrel ID (d1):** 0.091  
**Barrel ID (d1):** 0.134



T= Material Thickness

HOFFMAN PART NO.	WIRE SIZE	TAB	DIMENSIONS (INCHES)							UL	TAPE MOUNT REEL QTY	DIE FOR TAPE MOUNT	HAND TOOL
			W	F	L	B	D	T					
FNDDF2216T110A5	22-16	.110 x .020	0.126	0.256	0.772	0.433	0.157	0.012	Y	1000	3V2216	YNM2210D	
FNDDF2216T110A8	22-16	.110 x .032	0.126	0.256	0.772	0.433	0.157	0.012	Y	1000	3V2216	YNM2210D	
FNDDF2216T187A5	22-16	.187 x .020	0.197	0.252	0.787	0.433	0.157	0.014	Y	1000	3V2216	YNM2210D	
FNDDF2216T187A8	22-16	.187 x .032	0.197	0.252	0.787	0.433	0.157	0.014	Y	1000	3V2216	YNM2210D	
FNDDF2216T250A	22-16	.250 x .032	0.260	0.295	0.846	0.433	0.157	0.016	Y	1000	3V2216	YNM2210D	
FNDDF1614T110A5	16-14	.110 x .020	0.126	0.256	0.772	0.433	0.197	0.012	Y	1000	3V1614	YNM2210D	
FNDDF1614T110A8	16-14	.110 x .032	0.126	0.256	0.772	0.433	0.197	0.012	Y	1000	3V1614	YNM2210D	
FNDDF1614T187A5	16-14	.187 x .020	0.197	0.252	0.787	0.433	0.197	0.014	Y	1000	3V1614	YNM2210D	
FNDDF1614T187A8	16-14	.187 x .032	0.197	0.252	0.787	0.433	0.197	0.014	Y	1000	3V1614	YNM2210D	
FNDDF1614T250A	16-14	.250 x .032	0.260	0.295	0.846	0.433	0.197	0.016	Y	1000	3V1614	YNM2210D	
FNDDF1210T187A5	12-10	.187 x .020	0.197	0.256	0.866	0.512	0.256	0.014	Y	500	3V1210	YNM2210D	
FNDDF1210T187A8	12-10	.187 x .032	0.197	0.256	0.866	0.512	0.256	0.014	Y	500	3V1210	YNM2210D	
FNDDF1210T250A	12-10	.250 x .032	0.260	0.295	0.925	0.512	0.256	0.016	Y	500	3V1210	YNM2210D	

## PC Insulated Male Disconnect with Support Sleeve

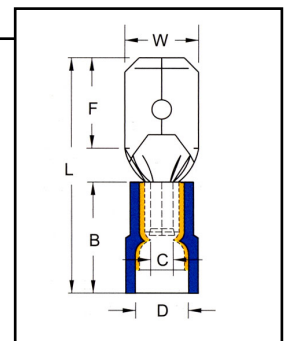
**Material:** Tin Plated Brass with Copper Support Sleeve

**Insulation Material:** PC Insulated

**Maximum Electrical Rating:** 125°C, 600V

**Maximum Electrical Current:** 22-16: 10 Amps  
 16-14: 15 Amps  
 12-10: 24 Amps

**Barrel ID (d1):** 0.067  
**Barrel ID (d1):** 0.091  
**Barrel ID (d1):** 0.134



T= Material Thickness

HOFFMAN PART NO.	WIRE SIZE	TAB	DIMENSIONS (INCHES)							UL	TAPE MOUNT REEL QTY	DIE FOR TAPE MOUNT	HAND TOOL
			W	F	L	B	D	T					
FNDDM2216T110A5	22-16	.110 x .020	0.110	0.256	0.768	0.433	0.157	0.020	Y	1000	3V2216	YNM2210D	
FNDDM2216T110A8	22-16	.110 x .032	0.110	0.256	0.768	0.433	0.157	0.016	Y	1000	3V2216	YNM2210D	
FNDDM2216T187A5	22-16	.187 x .020	0.189	0.256	0.787	0.433	0.157	0.020	Y	1000	3V2216	YNM2210D	
FNDDM2216T187A8	22-16	.187 x .032	0.189	0.264	0.787	0.433	0.157	0.016	Y	1000	3V2216	YNM2210D	
FNDDM2216T250	22-16	.250 x .032	0.250	0.303	0.866	0.433	0.157	0.016	Y	1000	3V2216	YNM2210D	
FNDDM1614T187A5	16-14	.187 x .020	0.189	0.256	0.787	0.433	0.197	0.020	Y	1000	3V1614	YNM2210D	
FNDDM1614T187A8	16-14	.187 x .032	0.189	0.264	0.787	0.433	0.197	0.016	Y	1000	3V1614	YNM2210D	
FNDDM1614T250	16-14	.250 x .032	0.250	0.303	0.866	0.433	0.197	0.016	Y	1000	3V1614	YNM2210D	
FNDDM1210T250	12-10	.250 x .032	0.250	0.303	0.945	0.512	0.256	0.016	Y	500	3V1210	YNM2210D	



## PC Fully Insulated Female Disconnect with Support Sleeve

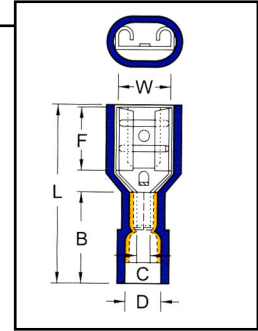
**Material:** Tin Plated Brass with Copper Support Sleeve

**Insulation Material:** PC Insulated

**Maximum Electrical Rating:** 125°C, 600V

**Maximum Electrical Current:** 22-16: 10 Amps  
 16-14: 15 Amps  
 12-10: 24 Amps

**Barrel ID (d1):** 0.067  
**Barrel ID (d1):** 0.091  
**Barrel ID (d1):** 0.134



T= Material Thickness

HOFFMAN PART NO.	WIRE SIZE	TAB	DIMENSIONS (INCHES)							UL	TAPE MOUNT REEL QTY	DIE FOR TAPE MOUNT	HAND TOOL
			W	F	L	B	D	T					
LNDDF2216T110A5	22-16	.110 x .020	0.126	0.256	0.768	0.433	0.157	0.012	Y	500	3V2216	YNM2210D	
LNDDF2216T110A8	22-16	.110 x .032	0.126	0.256	0.768	0.433	0.157	0.012	Y	500	3V2216	YNM2210D	
LNDDF2216T187A5	22-16	.187 x .020	0.197	0.252	0.795	0.433	0.157	0.014	Y	500	3V2216	YNM2210D	
LNDDF2216T187A8	22-16	.187 x .032	0.197	0.252	0.795	0.433	0.157	0.014	Y	500	3V2216	YNM2210D	
LNDDF2216T250A	22-16	.250 x .032	0.260	0.295	0.846	0.433	0.157	0.016	Y	500	3V2216	YNM2210D	
LNDDF1614T187A5	16-14	.187 x .020	0.197	0.252	0.795	0.433	0.197	0.016	Y	500	3V1614	YNM2210D	
LNDDF1614T187A8	16-14	.187 x .032	0.197	0.252	0.795	0.433	0.197	0.016	Y	500	3V1614	YNM2210D	
LNDDF1614T250A	16-14	.250 x .032	0.260	0.295	0.846	0.433	0.197	0.016	Y	500	3V1614	YNM2210D	
LNDDF1210T250A	12-10	.250 x .032	0.260	0.295	0.953	0.512	0.256	0.016	Y	500	3V1210	YNM2210D	

## Nylon Couplars Sets

### Nylon Fully Insulated Couplars

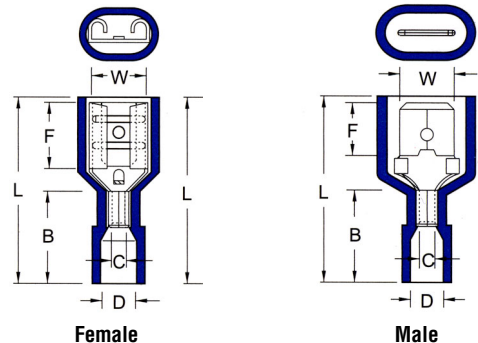
**Material:** Tin Plated Brass

**Insulation Material:** UL94V2 6/6 Nylon

**Maximum Electrical Rating:** 105°C, 300V

**Maximum Electrical Current:** 22-16: 10 Amps  
 16-14: 15 Amps  
 12-10: 24 Amps

**Barrel ID (d1):** 0.067  
**Barrel ID (d1):** 0.091  
**Barrel ID (d1):** 0.134



T= Material Thickness

HOFFMAN PART NO.	WIRE SIZE	TAB	DIMENSIONS (INCHES)							UL	TAPE MOUNT REEL QTY	DIE FOR TAPE MOUNT	HAND TOOL
			W	F	L	B	D	T					
FEMALE													
LNDF2216250H	22-16	.250 x .032	0.260	0.295	0.866	0.433	0.157	0.016	Y	500	3F2216	YNM2210C	
LNDF1614250H	16-14	.250 x .032	0.260	0.295	0.866	0.433	0.177	0.016	Y	500	3F1614	YNM2210C	
LNDF1210250H	12-10	.250 x .032	0.260	0.295	0.945	0.512	0.248	0.016	Y	500	3F1210	YNM2210C	
MALE													
LNDM2216250H	22-16	.250 x .032	0.250	0.303	0.945	0.433	0.157	0.016	Y	500	3F2216	YNM2210C	
LNDM1614250H	16-14	.250 x .032	0.250	0.303	0.906	0.433	0.177	0.016	Y	500	3F1614	YNM2210C	
LNDM1210250H	12-10	.250 x .032	0.250	0.303	0.984	0.512	0.248	0.016	Y	500	3F1210	YNM2210C	





# Piggyback Connectors

## Non-Insulated Piggyback Connectors

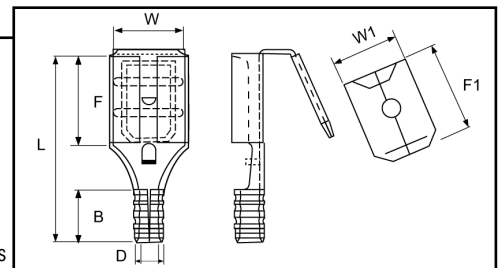
**Material:** Tin Plated Brass

**Temperature:** 300°F

**Maximum Electrical Current:** 22-16: 10 Amps  
 16-14: 15 Amps  
 12-10: 24 Amps

**Barrel ID (d1):** 0.067  
**Barrel ID (d1):** 0.091  
**Barrel ID (d1):** 0.134

T= Material Thickness



HOFFMAN PART NO.	WIRE SIZE	TAB	DIMENSIONS (INCHES)									UL	TAPE MOUNT REEL QTY	DIE FOR TAPE MOUNT	HAND TOOL
			W	W1	F	F1	L	B	D	T					
DFM2216T250A	22-16	.250 x .032	.260	.250	.315	.232	.630	.189	.106	.031	N	NA	NA	YHM228	
DFM1614T250A	16-14	.250 x .032	.260	.250	.315	.323	.598	.189	.130	.031	N	NA	NA	YHM228	

## Vinyl Insulated Piggyback Connectors

**Material:** Tin Plated Brass

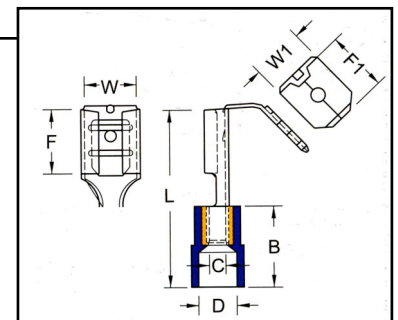
**Insulation Material:** Vinyl

**Maximum Electrical Rating:** 75°C, 300V

**Maximum Electrical Current:** 22-16: 10 Amps  
 16-14: 15 Amps  
 12-10: 24 Amps

**Barrel ID (d1):** 0.067  
**Barrel ID (d1):** 0.091  
**Barrel ID (d1):** 0.134

T= Material Thickness



HOFFMAN PART NO.	WIRE SIZE	TAB	DIMENSIONS (INCHES)									UL	TAPE MOUNT REEL QTY	DIE FOR TAPE MOUNT	HAND TOOL
			W	W1	F	F1	L	B	D	T					
FVDFM2216T250A	22-16	.250 x .032	.260	.250	0.315	0.323	0.866	0.394	0.157	0.016	N	NA	NA	YNM2210C	
FVDFM1614T250A	16-14	.250 x .032	.260	.250	0.315	0.323	0.866	0.394	0.177	0.016	N	NA	NA	YNT1614	
FVDFM1614T250A/J	16-14	.250 x .032	.268	.248	0.307	0.315	0.875	0.374	0.169	0.016	Y	NA	NA	YNM2210C	
FVDFM1210T250A	12-10	.250 x .032	.260	.250	0.315	0.323	0.945	0.512	0.217	0.016	N	NA	NA	YNM2210C	

## Vinyl Insulated Piggyback with Support Sleeve

**Material:** Tin Plated Brass

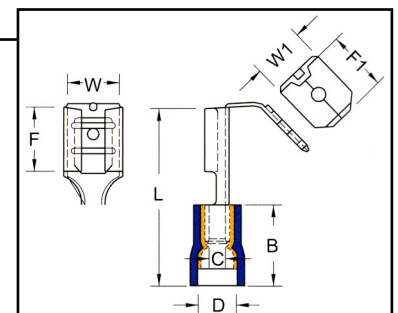
**Insulation Material:** Vinyl

**Maximum Electrical Rating:** 75°C, 300V

**Maximum Electrical Current:** 22-16: 10 Amps  
 16-14: 15 Amps  
 12-10: 24 Amps

**Barrel ID (d1):** 0.067  
**Barrel ID (d1):** 0.091  
**Barrel ID (d1):** 0.134

T= Material Thickness



HOFFMAN PART NO.	WIRE SIZE	TAB	DIMENSIONS (INCHES)									UL	TAPE MOUNT REEL QTY	DIE FOR TAPE ON REEL	HAND TOOL
			W	W1	F	F1	L	B	D	T					
FVDDFM2216T250A	22-16	.250 x .032	.260	.250	0.315	0.323	0.886	0.413	0.150	0.016	Y	NA	NA	YNM2210D	
FVDDFM1614T250A	16-14	.250 x .032	.260	.250	0.315	0.323	0.886	0.413	0.185	0.016	Y	NA	NA	YNM2210D	
FVDDFM1210T250A	12-10	.250 x .032	.260	.250	0.315	0.323	0.945	0.512	0.244	0.016	Y	NA	NA	YNM2210D	



## Nylon Insulated Piggyback with Support Sleeve

**Material:** Tin Plated Brass

**Insulation Material:** 6/6 UL94V2 Nylon

**Maximum Electrical Rating:** 105°C, 300V

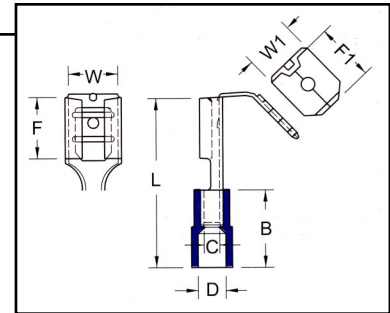
**Maximum Electrical Current:** 22-16: 10 Amps  
 16-14: 15 Amps  
 12-10: 24 Amps

**Barrel ID (d1):** 0.067

**Barrel ID (d1):** 0.091

**Barrel ID (d1):** 0.134

T= Material Thickness



HOFFMAN PART NO.	WIRE SIZE	TAB	DIMENSIONS (INCHES)								T	TAPES	DIE FOR MOUNT REEL QTY	HAND TAPE MOUNT	TOOL
			W	W1	F	F1	L	B	D	T					
FNDDFM2216T250A	22-16	.250 x .032	0.260	0.250	0.315	0.323	0.906	0.433	0.157	0.016	Y	NA	NA	YNM2210D	
FNDDFM1614T250A	16-14	.250 x .032	0.260	0.250	0.315	0.323	0.906	0.433	0.197	0.016	Y	NA	NA	YNM2210D	
FNDDFM1210T250A	12-10	.250 x .032	0.260	0.250	0.315	0.323	0.945	0.512	0.256	0.016	Y	NA	NA	YNM2210D	

## Knife Disconnects

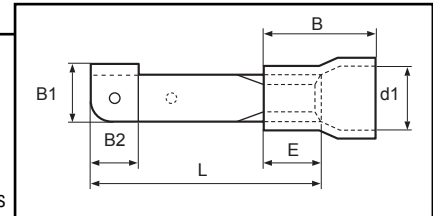
### Vinyl Insulated Knife Disconnects

**Material:** Tin Plated Brass

**Insulation Material:** Vinyl

**Maximum Electrical Rating:** 75°C, 300V

T= Material Thickness



HOFFMAN PART NO.	WIRE SIZE	TAB	DIMENSIONS (INCHES)							T	UL	TAPES	DIE FOR TAPE MOUNT	HAND TOOL
			L	E	B1	B2	B	D	T					
FV2216K/J	22-16	NA	0.673	0.189	0.197	0.161	0.354	0.157	0.031	NA	NA	NA	YHM228	
FV1614K/J	16-14	NA	0.717	0.173	0.197	0.154	0.354	0.177	0.031	NA	NA	NA	YHM228	
FV1210K/J	12-10	NA	0.917	0.244	0.280	0.220	0.531	0.268	0.039	NA	NA	NA	YHM228	



# Female Flag Disconnects

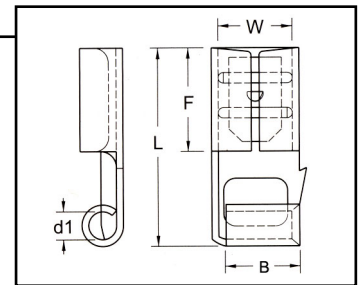
## Non-Insulated Female Flag Disconnects

**Material:** Tin Plated Brass

**Temperature:** 300°F

**Maximum Electrical Current:** 22-16: 10 Amps    **Barrel ID (d1):** 0.067  
 16-14: 15 Amps                                    **Barrel ID (d1):** 0.091  
 12-10: 24 Amps                                    **Barrel ID (d1):** 0.134

T = Material Thickness



HOFFMAN PART NO.	WIRE SIZE	TAB	DIMENSIONS (INCHES)					UL	TAPE ON MOUNT REEL QTY	HAND TOOL
			W	F	L	B	T			
DF22181ST5	22-18	.187 x .020	.197	0.244	0.445	0.217	0.016	NA	NA	FG6100
DF22181ST8	22-18	.187 x .032	.197	0.244	0.445	0.217	0.016	NA	NA	FG6100
DF22181T	22-18	.250 x .032	.26	0.299	0.551	0.291	0.016	NA	NA	FG6100
DF18141ST5	16-14	.187 x .020	.197	0.244	0.457	0.217	0.016	NA	NA	FG6100
DF18141ST8	16-14	.187 x .032	.197	0.244	0.457	0.217	0.016	NA	NA	FG6100
DF18141T	16-14	.250 x .032	.26	0.299	0.551	0.291	0.016	NA	NA	FG6100
DF12101T	12-10	.250 x .032	.26	0.299	0.571	0.295	0.016	NA	NA	FG6100

## Nylon Insulated Female Flag Disconnects

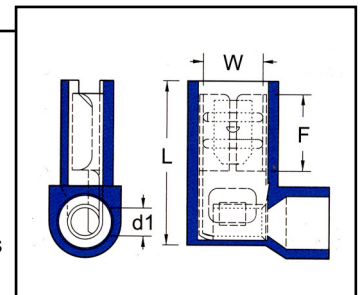
**Material:** Tin Plated Brass

**Insulation Material:** 6/6 UL94V2 Nylon

**Maximum Electrical Rating:** 105°C, 300V

**Maximum Electrical Current:** 22-16: 10 Amps    **Barrel ID (d1):** 0.067  
 16-14: 15 Amps                                    **Barrel ID (d1):** 0.091  
 12-10: 24 Amps                                    **Barrel ID (d1):** 0.134

T = Material thickness



HOFFMAN PART NO.	WIRE SIZE	TAB	DIMENSIONS (INCHES)					UL	TAPE MOUNT REEL QTY	DIE FOR SCT70MS MOUNT	HAND TOOL
			W	F	L	T	UL				
FNDF22181ST5	22-18	.187 x .020	0.197	0.276	0.591	0.016	Y	1000	AFNDF2DIE	YNG2214	
FNDF22181ST8	22-18	.187 x .032	0.197	0.276	0.591	0.016	Y	1000	AFNDF2DIE	YNG2214	
FNDF22181T	22-18	.250 x .032	0.260	0.299	0.598	0.016	Y	1000	AFNDF2DIE	YNG2214	
FNDF18141ST5	16-14	.187 x .020	0.197	0.276	0.598	0.016	Y	1000	BFNDF2DIE	YNG2214	
FNDF18141ST8	16-14	.187 x .032	0.197	0.276	0.598	0.016	Y	1000	BFNDF2DIE	YNG2214	
FNDF18141T	16-14	.250 x .032	0.260	0.299	0.598	0.016	Y	1000	BFNDF2DIE	YNG2214	



## Bullet Connectors

### Vinyl Insulated Bullet Connectors

#### Vinyl Fully Insulated Female Receptacle

**Material:** Tin Plated Brass with Butted Seam

**Insulation Material:** PVC Vinyl

**Maximum Electrical Rating:** 75°C, 300V

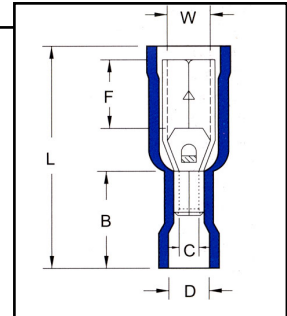
**Maximum Electrical Current:** 22-16: 10 Amps  
16-14: 15 Amps  
12-10: 24 Amps

**Barrel ID (d1):** 0.067

**Barrel ID (d1):** 0.091

**Barrel ID (d1):** 0.134

T = Material thickness



HOFFMAN PART NO.	WIRE SIZE	DIAMETER	DIMENSIONS (INCHES)							UL	TAPE MOUNT REEL QTY	DIE FOR TAPE MOUNT	HAND TOOL
			W	F	L	B	D	T	UL				
CVGF2216T5	22-16	0.156	0.154	0.276	0.906	0.413	0.157	0.016	Y	500	3F2216	YNM2210C	
CVGF1614T5	16-14	0.156	0.154	0.276	0.925	0.413	0.177	0.016	Y	500	3F1614	YNM2210C	
CVGF1210T7	12-10	0.195	0.193	0.276	0.945	0.492	0.217	0.018	Y	500	3F1210	YNM2210C	

#### Vinyl Fully Insulated Female Receptacle with Support Sleeve

**Material:** Tin Plated Brass with Tin Plated Copper Support Sleeve

**Insulation Material:** PVC Vinyl

**Maximum Electrical Rating:** 75°C, 300V

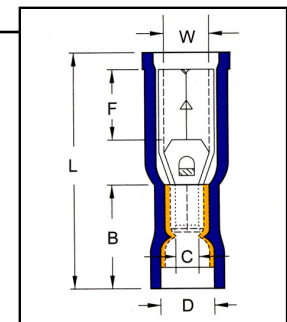
**Maximum Electrical Current:** 22-16: 10 Amps  
16-14: 15 Amps  
12-10: 24 Amps

**Barrel ID (d1):** 0.067

**Barrel ID (d1):** 0.091

**Barrel ID (d1):** 0.134

T = Material thickness



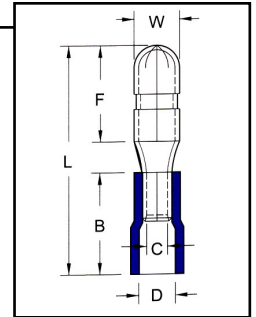
HOFFMAN PART NO.	WIRE SIZE	DIAMETER	DIMENSIONS (INCHES)							UL	TAPE MOUNT REEL QTY	DIE FOR TAPE MOUNT	HAND TOOL
			W	F	L	B	D	T	UL				
CVDGF2216T5	22-16	0.156	0.154	0.276	0.917	0.413	0.15	0.016	Y	500	3V2216	YNM2210	
CVDGF2216T5/J	22-16	0.156	0.156	0.335	0.945	0.394	0.106	0.016	Y	500	3V2216	YNT2216	
CVDGF1614T5	16-14	0.156	0.154	0.276	0.917	0.413	0.185	0.016	Y	500	3V1614	YNM2210	
CVDGF1614T7	16-14	0.195	0.193	0.276	0.917	0.413	0.185	0.016	Y	500	3V1614	YNM2210	
CVDGF1210T7	12-10	0.195	0.193	0.276	0.988	0.492	0.244	0.018	Y	500	3V1210	YNM2210	



### Vinyl Insulated Male Bullet

**Material:** Tin Plated Brass with Butted Seam  
**Insulation Material:** PVC Vinyl  
**Maximum Electrical Rating:** 75°C, 300V  
**Maximum Electrical Current:** 22-16: 10 Amps  
 16-14: 15 Amps  
 12-10: 24 Amps

**Barrel ID (d1):** 0.067  
**Barrel ID (d1):** 0.091  
**Barrel ID (d1):** 0.134



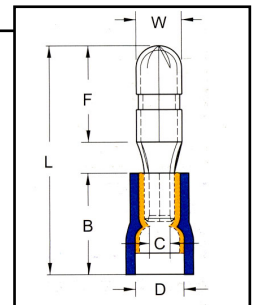
T = Material thickness

HOFFMAN PART NO.	WIRE SIZE	DIMENSIONS (INCHES)								T	UL	TAPE MOUNT REEL QTY	DIE FOR TAPE MOUNT	HAND TOOL
		DIAMETER	W	F	L	B	D							
FVGM2216T5	22-16	0.156	0.157	0.335	0.827	0.394	0.157	0.016	Y	1000	3F2216	YNM2210C		
FVGM1614T5	16-14	0.156	0.157	0.335	0.827	0.394	0.177	0.016	Y	1000	2F1614	YNM2210C		
FVGM1614T5/J	16-14	0.156	0.156	0.343	0.795	0.374	0.169	0.016	Y	1000	3F1614	YNT1614		
FVGM1210T7	12-10	0.195	0.197	0.335	0.925	0.512	0.217	0.016	Y	500	3F1210	YNM2210C		

### Vinyl Insulated Male Bullet with Support Sleeve

**Material:** Tin Plated Brass with Tin Plated Copper Support Sleeve  
**Insulation Material:** PVC Vinyl  
**Maximum Electrical Rating:** 75°C, 300V  
**Maximum Electrical Current:** 22-16: 10 Amps  
 16-14: 15 Amps  
 12-10: 24 Amps

**Barrel ID (d1):** 0.067  
**Barrel ID (d1):** 0.091  
**Barrel ID (d1):** 0.134



T = Material thickness

HOFFMAN PART NO.	WIRE SIZE	DIMENSIONS (INCHES)								T	UL	TAPE MOUNT REEL QTY	DIE FOR TAPE MOUNT	HAND TOOL
		DIAMETER	W	F	L	B	D							
FVDGM2216T5	22-16	0.156	0.157	0.335	0.846	0.413	0.15	0.016	Y	1000	3V2216	YNM2210		
FVDGM2216T5/J	22-16	0.156	0.156	0.343	0.795	0.374	0.138	0.016	Y	1000	3V2216	YNT2216		
FVDGM1614T5	16-14	0.156	0.157	0.335	0.854	0.413	0.185	0.016	Y	1000	3V1614	YNM2210		
FVDGM1614T7	16-14	0.195	0.197	0.335	0.835	0.413	0.185	0.016	Y	1000	3V1614	YNM2210		
FVDGM1614T7/J	16-14	0.195	0.156	0.343	0.795	0.374	0.169	0.016	Y	1000	3V1614	YNT1614		
FVDGM1210T7	12-10	0.195	0.197	0.335	0.945	0.512	0.244	0.016	Y	500	3V1210	YNM2210		



## Nylon Insulated Bullets

### Nylon Fully Insulated Female Receptacle with Support Sleeve

**Material:** Tin Plated Brass with Tin Plated Copper Support Sleeve

**Insulation Material:** 6/6 Nylon

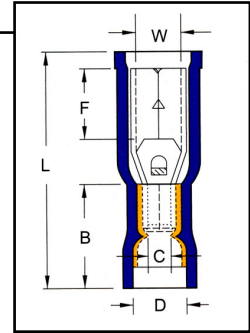
**Maximum Electrical Rating:** 105°C, 600 V

**Maximum Electrical Current:** 22-16: 10 Amps  
 16-14: 15 Amps  
 12-10: 24 Amps

**Barrel ID (d1):** 0.134

**Barrel ID (d1):** 0.091

**Barrel ID (d1):** 0.134



T = Material thickness

HOFFMAN PART NO.	WIRE SIZE	DIAMETER	DIMENSIONS (INCHES)							UL	TAPE MOUNT REEL QTY	DIE FOR TAPE MOUNT	HAND TOOL
			W	F	L	B	D	T					
CNDGF2216T5	22-16	156	0.154	0.276	0.992	0.433	0.157	0.016	Y	500	3V2216	YNM2210	
CNDGF1614T5	16-14	156	0.154	0.276	0.992	0.433	0.197	0.016	Y	500	3V1614	YNM2210	
CNDGF1614T7	16-14	195	0.193	0.276	0.992	0.433	0.197	0.016	Y	500	3V1614	YNM2210	
*FNDGF1210T7	12-10	195	0.193	0.276	0.965	0.512	0.256	0.018	Y	500	3V1210	YNM2210	

\* This part is only partially insulated

### Nylon Fully Insulated Male Bullet with Support Sleeve

**Material:** Tin Plated Brass with Tin Plated Copper Support Sleeve

**Insulation Material:** 6/6 Nylon

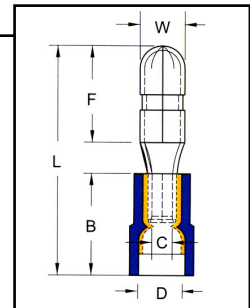
**Maximum Electrical Rating:** 105°C, 600 V

**Maximum Electrical Current:** 22-16: 10 Amps  
 16-14: 15 Amps  
 12-10: 24 Amps

**Barrel ID (d1):** 0.067

**Barrel ID (d1):** 0.091

**Barrel ID (d1):** 0.134



T = Material thickness

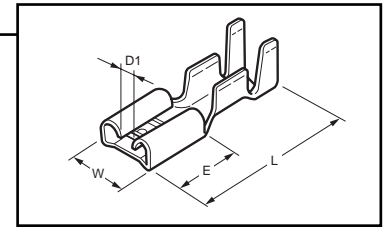
HOFFMAN PART NO.	WIRE SIZE	DIAMETER	DIMENSIONS (INCHES)							UL	TAPE MOUNT REEL QTY	DIE FOR TAPE MOUNT	HAND TOOL
			W	F	L	B	D	T					
FNDGM2216T5	22-16	156	0.157	0.335	0.866	0.433	0.157	0.016	Y	1000	3V2216	YNM2210	
FNDGM1614T5	16-14	156	0.157	0.335	0.866	0.433	0.197	0.016	Y	1000	3V1614	YNM2210	
FNDGM1614T7	16-14	195	0.197	0.335	0.866	0.433	0.197	0.016	Y	1000	3V1614	YNM2210	
FNDGM1210T7	12-10	195	0.197	0.335	0.925	0.512	0.256	0.016	Y	500	3V1210	YNM2210	

# Open Barrel Disconnects

## Female Open Barrel Disconnect

**Material:** Tin Plated Brass  
**Temperature:** 300°F  
**Maximum Electrical Current:** 22-16: 10 Amps  
 16-14: 15 Amps  
 12-10: 24 Amps

Female

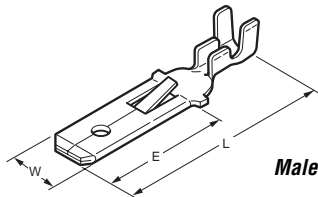


T = Material thickness

HOFFMAN PART NO.	WIRE SIZE	TAB	DIMENSIONS (INCHES)					MATING TAB THK.	UL	REEL QTY	HAND TOOL
			W	L	E	D1	T				
LTO01T110N	24-20	.110 x .020	0.146	0.606	0.248	0.024	0.010	0.020	Y	*SEE METAL STRIP	YHF200
LT041T110N	20-16	.110 x .020	0.146	0.606	0.248	0.024	0.010	0.020	Y	*SEE METAL STRIP	YHF200
LT041T187N/J	20-16	.187 x .020	0.220	0.591	0.248	0.059	0.013	0.020	Y	*SEE METAL STRIP	YHF200
LT021T250N	22-18	.250 x .032	0.303	0.748	0.307	0.094	0.016	0.031	Y	*SEE METAL STRIP	YHF200
LT061T250N	18-14	.250 x .032	0.303	0.748	0.307	0.063	0.018	0.031	Y	*SEE METAL STRIP	YHF200
LT081T250N/J	14-10	.250 x .032	0.299	0.772	0.315	0.063	0.018	0.031	Y	*SEE METAL STRIP	YHF200

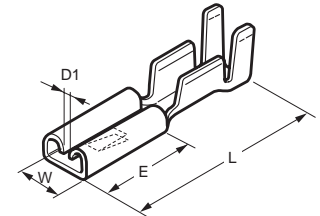
## Open Barrel Disconnect with Locking Tab

**Material:** Tin Plated Brass  
**Temperature:** 300°F  
**Maximum Electrical Current:** 22-16: 10 Amps  
 16-14: 15 Amps  
 12-10: 24 Amps



Male

Female



T = Material thickness

FEMALE PART NO.	WIRE SIZE	TAB	DIMENSIONS (INCHES)					MATING TAB THK.	UL	REEL QTY	HAND TOOL
			W	L	E	D1	T				
<b>FEMALE</b>											
LT101T110N/J	22-20	.110 x .020	0.146	0.602	0.248	0.028	0.010	0.020	N	*SEE METAL STRIP	YHF200
LT141T110N/J	20-16	.110 x .020	0.146	0.602	0.248	0.028	0.010	0.020	N	*SEE METAL STRIP	YHF200
LT151T250N/J	20-14	.250 x .032	0.295	0.756	0.303	0.035	0.013	0.032	Y	*SEE METAL STRIP	YHF200
LT161T250/J	18-14	.250 x .032	0.300	0.748	0.307	0.090	0.018	0.032	N	*SEE METAL STRIP	YHF200

MALE PART NO.	WIRE SIZE	TAB	DIMENSIONS (INCHES)					TAB THICKNESS	UL	REEL QTY	HAND TOOL
			W	L	E	D1	T				
<b>MALE</b>											
LIM01T110A	22-20	.110 x .020	0.110	0.811	0.472	NA	0.020	0.020	Y	*SEE METAL STRIP	YHF200
LIM41T110B/J	20-16	.110 x .020	0.110	0.811	0.472	NA	0.020	0.020	Y	*SEE METAL STRIP	YHF200
LIM51T250N/J	20-14	.250 x .032	0.236	0.965	0.512	NA	0.016	0.033	Y	*SEE METAL STRIP	YHF200
LIM61T250/J	18-14	.250 x .032	0.236	1.130	0.622	NA	0.016	0.033	N	*SEE METAL STRIP	YHF200

Housings for LTI and LIM - See Metal Strip Male and Female Disconnect Housings Section

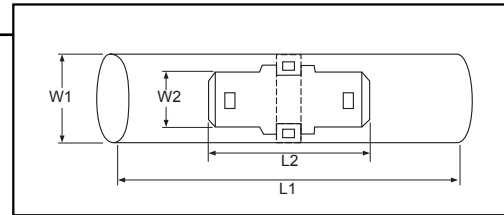
[\\*For Housing Click Here](#)  
 (Housings, page 76)



## Specialty Connectors

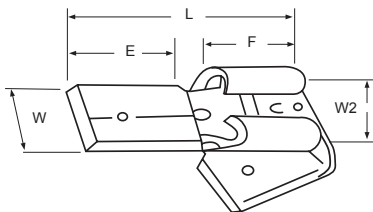
### Double Male Insulated Terminal

**Material:** Tin Plated Brass  
**Insulation Material:** 6/6 Nylon  
**Maximum Electrical Rating:** 105°C, 300V

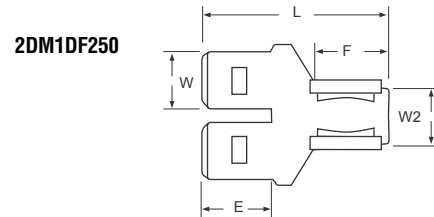


HOFFMAN PART NO.	TAB	DIMENSIONS (INCHES)				UL
		W1	W2	L1	L2	
VCDF181411RT	.250 x .032	0.472	0.248	1.969	0.882	N

### Non-Insulated Male / Female Disconnects



1DF2DM250



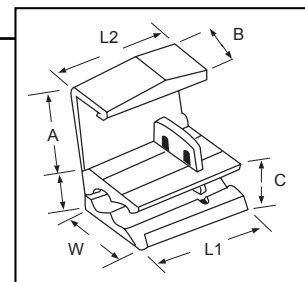
2DM1DF250

HOFFMAN PART NO.	TYPE	TAB	DIMENSIONS (INCHES)					UL
			W	W2	L	E	F	
2DM1DF250	Male Disconnect	.250 x .032	0.248	0.248	0.8295	0.346	0.320	N
1DF2DM250	Female Disconnect	.250 X .032	0.248	0.268	0.7320	0.325	0.317	N

## Quick Tap Splice Connectors

### Non-Insulated Female Quick Tap Splice Disconnects

**Material Insulator:** Vinyl  
**Material Insert:** Tin Plated Brass  
**Maximum Electrical:** 75°C, 300V  
**Maximum Current:** 22 - 3 Amps, 20 - 4 Amps, 18 - 7 Amps, 16 - 10 Amps, 14 - 15 Amps, 12 - 20 Amps, 10 -24 amps



HOFFMAN PART NO.	TYPE	COLOR	FUN WIRE	TAP WIRE	DIMENSIONS (INCHES)						UL
					A	B	C	W	L1	L2	
TP18	Tap	Red	18-14	22-18	0.524	0.348	0.329	0.461	0.787	0.422	N
TP14	Tap	Blue	18-14	18.14	0.532	0.343	0.323	0.465	0.792	0.422	N
TP10	Tap	Yellow	10-12	12-10	0.709	0.484	0.413	0.590	0.831	0.831	N
TH14	Thru Tap	White	18.14	18.14	0.532	0.343	0.323	0.465	0.792	0.422	N

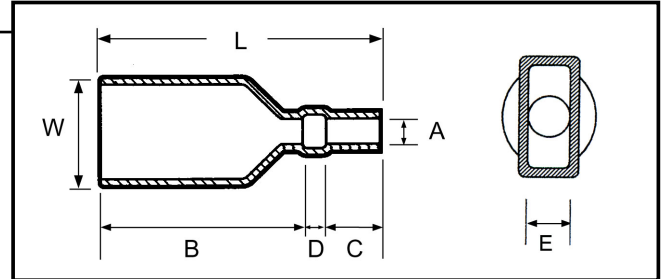




# Insulating Sleeves for Disconnects

## Straight PVC Insulating Sleeves

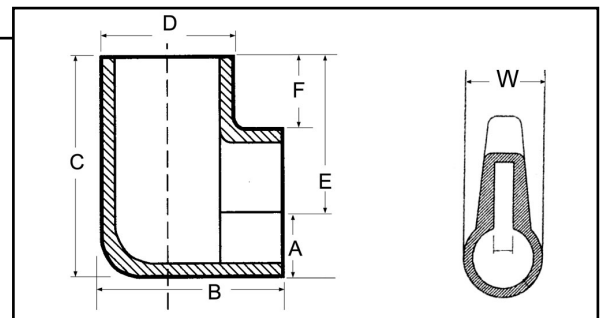
**Material:** Soft PVC  
**Temperature:** 75°C  
**Color:** Transparent



HOFFMAN PART NO.	TYPE	NEMA TAB WIDTH	DIMENSIONS (mm)							
			A	B	C	D	E	W	L	
KF1825	Straight	0.187	2.50	15.50	5.00	2.50	2.30	5.70	23.00	
KF1830	Straight	0.187	3.00	15.50	5.00	2.50	2.30	5.70	23.00	
KF2032	Straight	0.205	3.00	15.50	5.00	2.50	3.00	6.50	23.00	
KF2525	Straight	0.250	2.50	16.75	5.25	2.50	3.50	8.00	24.50	
KF2528	Straight	0.250	2.80	16.75	5.25	2.50	3.50	8.00	24.50	
KF2532	Straight	0.250	3.20	16.75	5.25	2.50	3.50	8.00	24.50	
KF2538	Straight	0.250	3.80	17.75	5.25	2.50	3.50	8.00	25.50	

## Flag Type PVC Insulating Sleeves

**Material:** Soft PVC  
**Temperature:** 75°C  
**Color:** Transparent



HOFFMAN PART NO.	TYPE	NEMA TAB WIDTH	DIMENSIONS (mm)							
			A	B	C	D	E	W	L	
KFF183012M	Flag Type/ Round Entry	0.187	3.00	12.00	13.00	5.70	6.00	2.30	8.00	
KFF1832	Flag Type	0.187	3.20	12.00	13.00	5.70	6.00	2.30	8.00	
KFF2540M	Flag Type/ Round Entry	0.250	4.00	16.00	17.00	8.00	9.00	3.50	8.00	
KFF2548	Flag Type	0.250	4.80	16.00	17.00	8.00	9.50	3.50	8.00	



