

## PRODUCT DATA SHEET / DATENBLATT

### P/N 624 746 3 02

**Crimping die set for use with the following hand tools or CM25 crimp machines**  
**Crimpeinheit für folgende Handwerkzeuge oder CM25 Crimpmaschinen**



P/N 624 000 6  
P/N 624 000 3



P/N 6370 0100 1 (EU)  
P/N 6370 0200 1 (GB)  
P/N 6370 0300 1 (USA)

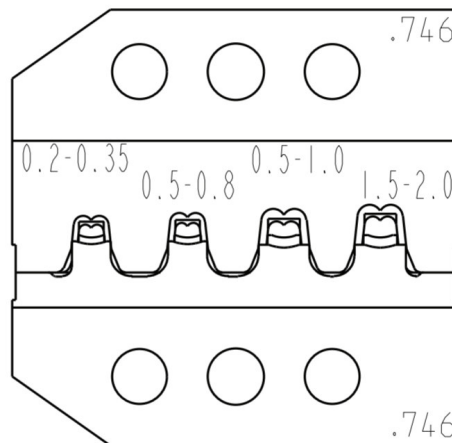


P/N 636 025-1  
P/N 636 025-5  
P/N 636 025-6

**Description**  
**Bezeichnung**

Crimping die set 12.746 incl. wire stop  
Crimpeinsatz 12.746 incl. Drahtanschlag

**Image**  
**Darstellung**



**Capacity mm<sup>2</sup> or AWG**  
**Kapazität mm<sup>2</sup> oder AWG**

0,20 – 2,00 mm<sup>2</sup>  
24 - 14 AWG

**Application  
(contact P/N)**  
**Anwendung  
(Kontaktnummer)**

| Contact description         | Manufacturer     | P/N-Strip | P/N-Loose | Type   | Range mm <sup>2</sup> |
|-----------------------------|------------------|-----------|-----------|--------|-----------------------|
| <b>Universal-Mate-N-Lok</b> | Tyco Electronics | 926882    | 926893    | Female | 0,50 - 1,50           |
| <b>Universal-Mate-N-Lok</b> | Tyco Electronics | 926883    | 926894    | Male   | 0,50 - 1,50           |
| <b>Universal-Mate-N-Lok</b> | Tyco Electronics | 926884    | 926895    | Female | 0,20 - 0,50           |
| <b>Universal-Mate-N-Lok</b> | Tyco Electronics | 926885    | 926896    | Male   | 0,20 - 0,50           |
| <b>Universal-Mate-N-Lok</b> | Tyco Electronics | 926886    | 926897    | Male   | 0,20 - 0,50           |
| <b>Universal-Mate-N-Lok</b> | Tyco Electronics | 926887    | 926898    | Male   | 1,50 - 2,00           |