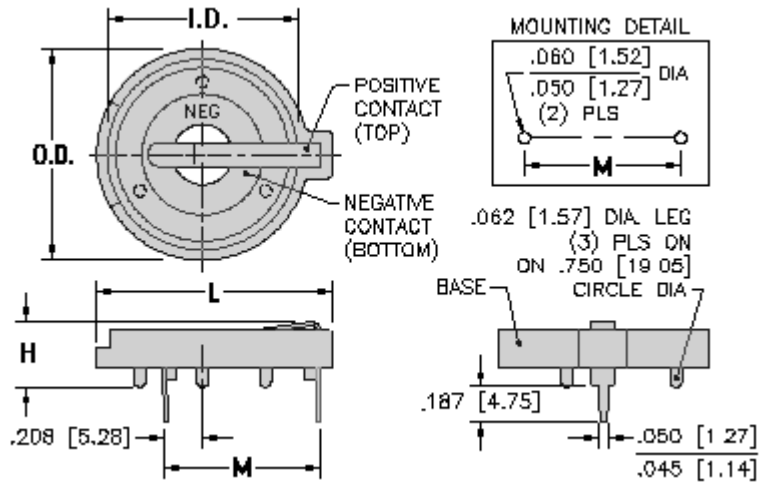


23mm Lithium Coin Cell Battery Holders

Thru Hole Mount (THM)



| Cat. No. | Cells | Dims. | A | B | C | D | E | L | O.D. | M |
|--|-------|-------|-------|-------|--|-------|-------|-------|-------|-------|
| 104 | One | inch | .911 | .513 | .195 | .335 | .295 | 1.150 | 1.000 | .807 |
| | | mm | 23,13 | 13,03 | 4,95 | 8,50 | 7,49 | 29,21 | 25,40 | 20,50 |
| 107 | One | inch | .911 | .513 | .195 | .335 | .295 | 1.219 | 1.093 | .807 |
| | | mm | 23,13 | 13,03 | 4,95 | 8,50 | 7,49 | 30,96 | 27,76 | 20,50 |
| 1027 | Two | inch | .911 | .630 | .312 | .452 | .412 | 1.219 | 1.093 | .807 |
| | | mm | 23,13 | 16,00 | 7,92 | 11,48 | 10,46 | 30,96 | 27,76 | 20,50 |
| Positive & Negative Contacts: .020" (0,5mm) Spring Steel, Tin Nickel Plate | | | | | | | | | | |
| Base Material: PBT UL 94V-0, Black | | | | | Temp. Range: -60°F to +293°F (-50°C to +145°C) | | | | | |