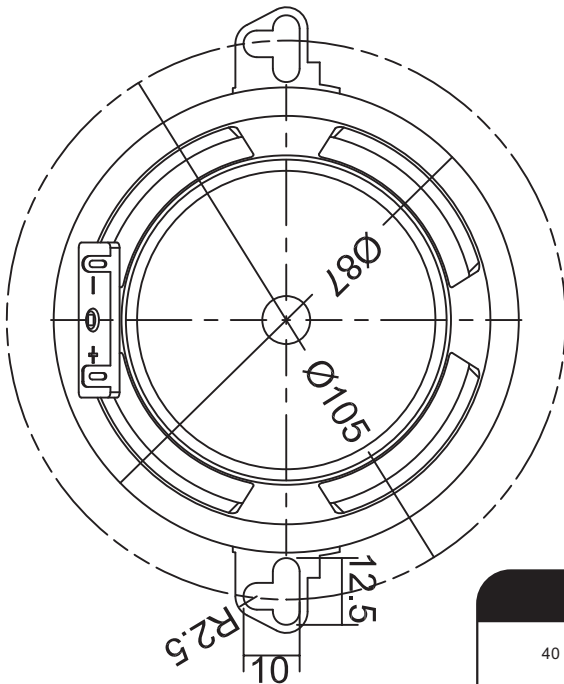
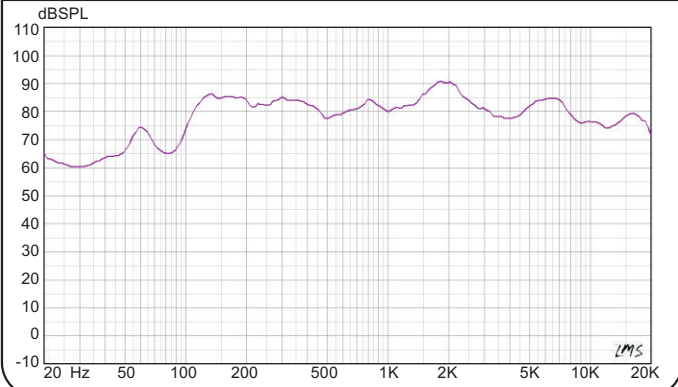


PARAMETERS

Impedance	4 Ohm
Re	3.6 ohms
Fs	125.9Hz
Qms	2.23
Qes	1.06
Qts	0.72
Mms	4.02g
Cms	0.4mm/N
Sd	35.3cm ²
BL	3.28Tm
Vas	0.7liters
VC diameter	0.75"
SPL	85dB
RMS power	15Watts
Frequency Response	130 to 15,000Hz



SPL vs Freq



Impedance vs Freq

