

Würth Elektronik eiSos GmbH & Co. KG

EMC & Inductive Solutions

Max-Eyth-Straße 1 · 74638 Waldenburg · Germany

Tel. +49 (0) 79 42 945-0 · Fax +49 (0) 79 42 945-400

eiSos@we-online.de · www.we-online.de



Product / Process Change Notification (PCN)

- Major change
 Minor change

PCN #: PCN_WL-SWTP_20210701_1

Affected Series: WL-SWTP; 1583012xx

PCN Date: April 01, 2021

Effective Date: July 01, 2021

Change Category:

- Equipment / Location
 General Data
 Material
 Process
 Product Design
 Shipping / Packaging
 Supplier
 Software

Contact: Product Management

Phone: +49 (0) 7942 - 945 5001

Fax: +49 (0) 7942 - 945 5179

E-Mail: pcn.eisos@we-online.com

Data Sheet Change:

Yes No

Attachment:

Yes No

DESCRIPTION AND PURPOSE OF CHANGE:

To ensure an improved product assembly, Würth Elektronik will be updating the lead frame.

All products with date code 2021-05-15 or later, will be affected by this change.

There will be no change in function, quality or reliability of the product.

DETAIL OF CHANGE:

The lead frame will be changed which changes details of the components form and component marking.

The old soldering pad can be used with the updated product.

The orientation of components in the reel does not change.

Electrical/optical parameters and reliability are not affected.

See technical drawing below for changes.

Würth Elektronik eiSos GmbH & Co. KG

EMC & Inductive Solutions

Max-Eyth-Straße 1 · 74638 Waldenburg · Germany

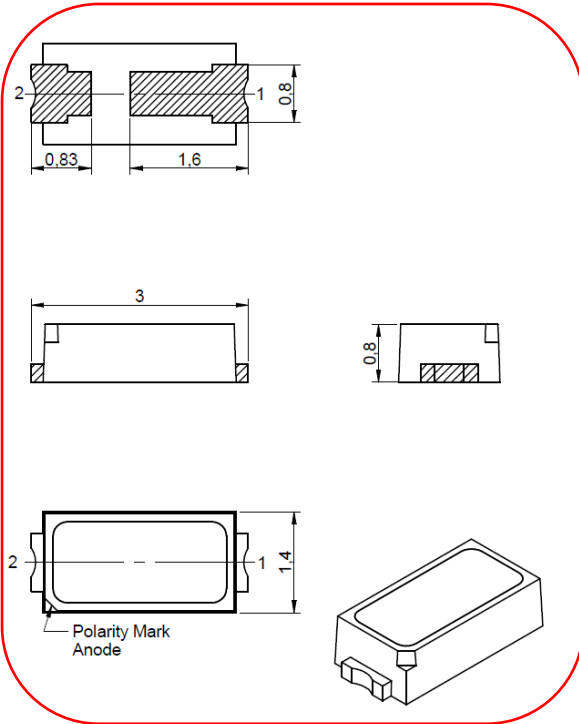
Tel. +49(0)79 42 945-0 · Fax +49(0)79 42 945-400

eiSos@we-online.de · www.we-online.de

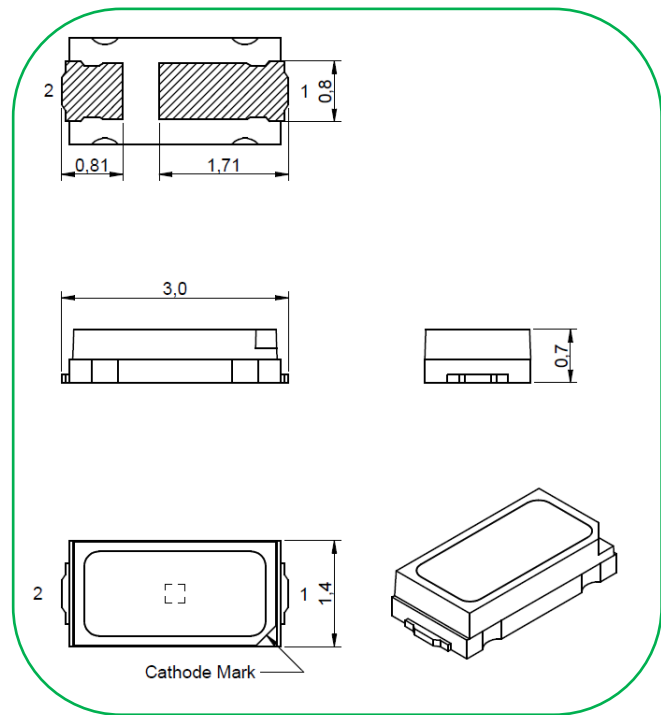


TECHNICAL DRAWING:

BEFORE CHANGE:



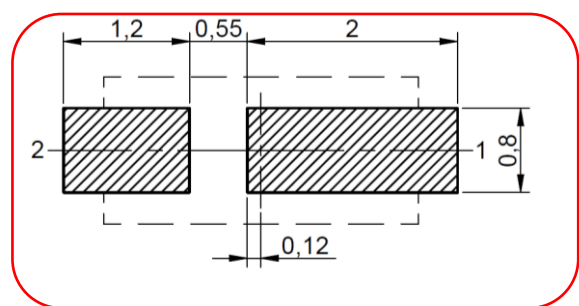
AFTER CHANGE:



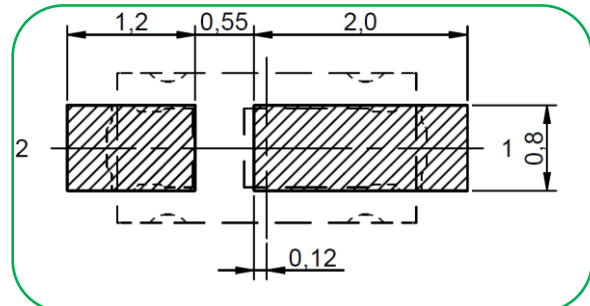
SOLDERING PAD:

No change in soldering pad, but drawings are updated.

BEFORE CHANGE:



AFTER CHANGE:



Würth Elektronik eiSos GmbH & Co. KG

EMC & Inductive Solutions

Max-Eyth-Straße 1 · 74638 Waldenburg · Germany

Tel. +49 (0) 79 42 945-0 · Fax +49 (0) 79 42 945-400

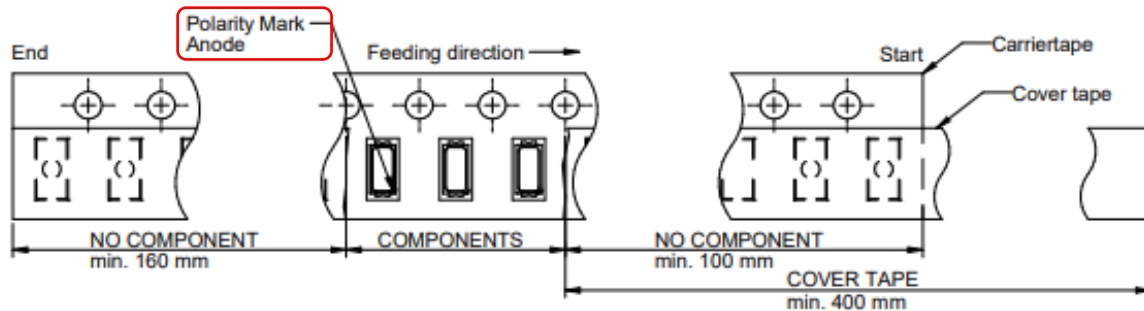
eiSos@we-online.de · www.we-online.de



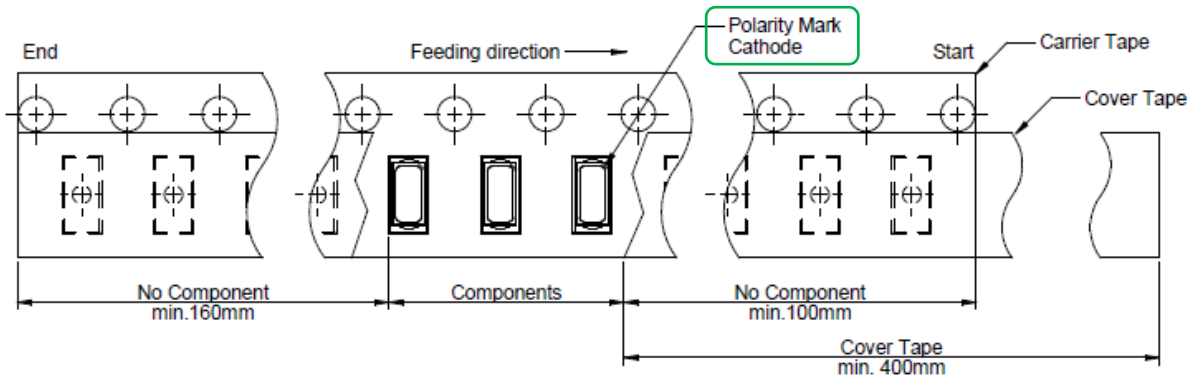
PACKAGING DRAWING:

No change in packaging, but drawings are updated.

BEFORE CHANGE:



AFTER CHANGE:



RELIABILITY / QUALIFICATION SUMMARY:

Product approval is according to the specification and is internally released by the Product Management Department.