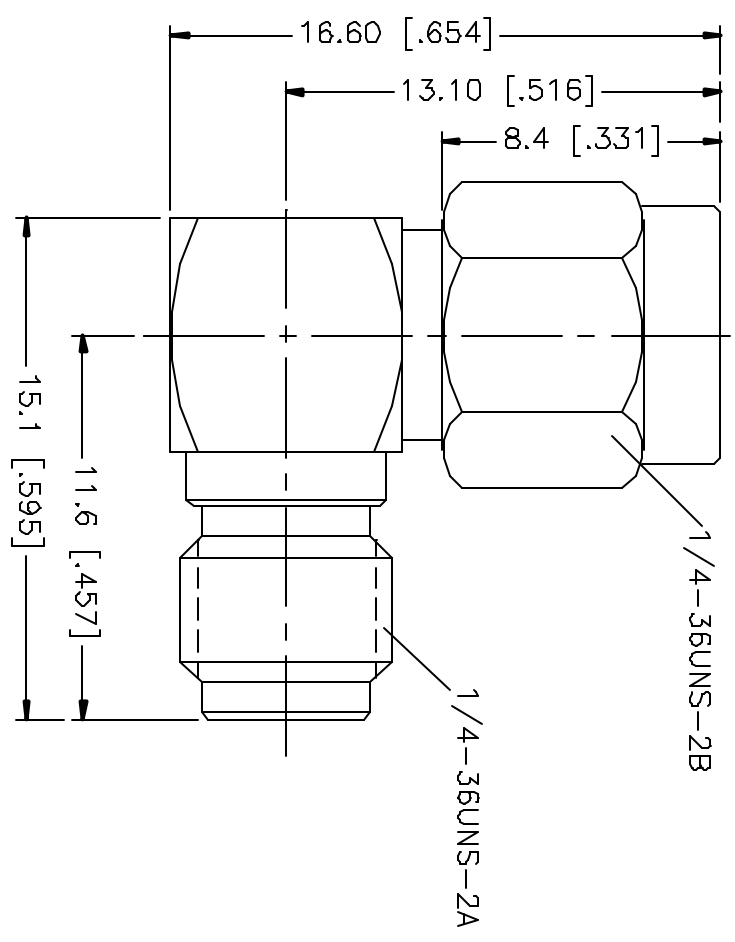


REV.	DATE	DESCRIPTION
NC	10/09/00	INITIAL RELEASE



DESCRIPTION	MATERIAL	FINISH	UNLESS OTHERWISE SPECIFIED, DIMENSIONS ARE IN MILLIMETERS	APPROVALS	DATE	
1 BODY	BRASS	GOLD	DIMENSIONS IN ( ) ARE IN INCHES	DRAWN G.R.S.	10/09/00	
2 INSULATOR	TEFLON	NATURAL	FOR CUSTOMER REFERENCE ONLY	CHECKED		
3 CONTACT PIN	BER. COPPER	GOLD	UNLESS OTHERWISE SPECIFIED, TOLERANCES FOR MILLIMETERS ARE:	ISSUED		TITLE
			0.5-6 = ± 0.2			SMA PLUG TO SMA REVERSE POLARIZED JACK ADAPTER
			6-30 = ± 0.4			SIZE FCBN NO. DWG. NO. REV.
			30-120 = ± 0.6			A 99001 132172RP, DWG NC
			120-315 = ± 1			
			315-1000 = ± 1.5			
			1000-2000 = ± 2.4			
			DO NOT SCALE DRAWING			SCALE NA PART NO. 132172RP SHEET 1 OF 1