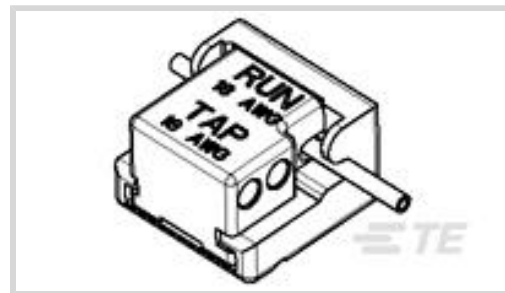




Terminals & Splices > Splices



Splice Product Type: **Splice**  
Terminal & Splice Type: **Splice**  
Wire Size: **18 AWG**  
Sealable: **No**  
Splice Features: **Strain Relief**

**Features**

**Product Type Features**

Splice Product Type	Splice
Sealable	No
Splice Type	Tap Splice
Serrated	No
Splice Wire/Cable Type	Discrete Wire
Insulated	Yes

**Electrical Characteristics**

Operating Voltage	600 VAC, 600 VDC
-------------------	------------------

**Body Features**

Strain Relief Type	Terminating Covers
Plating Material	Tin
Splice Features	Strain Relief
Splice Material	Copper Alloy
Splice Color	Blue

**Contact Features**

Contact Plating Material	Bright Tin
Contact Plating Thickness	9 μm[354.33 μin]
Terminal & Splice Type	Splice

**Termination Features**

--	--



Tool-less Wire Termination	Yes
----------------------------	-----

### Mechanical Attachment

Wire Insulation Support	Without
-------------------------	---------

### Housing Features

Housing Material	Thermoplastic
------------------	---------------

### Dimensions

Profile Height	12 mm[.472 in]
Wire Size	18 AWG
Splice Wire Insulation Diameter (Max)	2.3 mm
Splice Overall Length	24.5 mm[.965 in]

### Usage Conditions

Insulation Requirement	Fully Insulated
UV Exposure Rated	No
Operating Temperature Range	-55 – 105 °C

### Operation/Application

Heavy Duty	No
------------	----

### Industry Standards

Agency/Standard	CSA, UL
UL Flammability Rating	UL 94V-0
Agency/Standard Number	C22.2 No. 189, UL 486C
Government Qualified Splice	No

### Packaging Features

Packaging Quantity	500
Splice Packaging Method	Loose Piece

### Product Compliance

[For compliance documentation, visit the product page on TE.com>](#)

EU RoHS Directive 2011/65/EU	Not Compliant
EU ELV Directive 2000/53/EC	Compliant
China RoHS 2 Directive MIIT Order No 32, 2016	Restricted Materials Above Threshold
EU REACH Regulation (EC) No. 1907/2006	Current ECHA Candidate List: JAN 2021 (211)



Candidate List Declared Against: JAN 2021 (211)

SVHC > Threshold:

Cadmium oxide (5.1% in Component Part)

**Article Safe Usage Statements:**

Use personal protective equipment as required. Do not eat, drink or smoke when using this product. Recycle if possible and dispose of the article by following all applicable governmental regulations relevant to your geographic location.

Halogen Content  
 Low Halogen - Br, Cl, F, I < 900 ppm per homogenous material. Also BFR/CFR/PVC Free

Solder Process Capability  
 Not applicable for solder process capability

**Product Compliance Disclaimer**

This information is provided based on reasonable inquiry of our suppliers and represents our current actual knowledge based on the information they provided. This information is subject to change. The part numbers that TE has identified as EU RoHS compliant have a maximum concentration of 0.1% by weight in homogenous materials for lead, hexavalent chromium, mercury, PBB, PBDE, DBP, BBP, DEHP, DIBP, and 0.01% for cadmium, or qualify for an exemption to these limits as defined in the Annexes of Directive 2011/65/EU (RoHS2). Finished electrical and electronic equipment products will be CE marked as required by Directive 2011/65/EU. Components may not be CE marked. Additionally, the part numbers that TE has identified as EU ELV compliant have a maximum concentration of 0.1% by weight in homogenous materials for lead, hexavalent chromium, and mercury, and 0.01% for cadmium, or qualify for an exemption to these limits as defined in the Annexes of Directive 2000/53/EC (ELV). Regarding the REACH Regulation, the information TE provides on SVHC in articles for this part number is based on the latest European Chemicals Agency (ECHA) 'Guidance on requirements for substances in articles' posted at this URL: <https://echa.europa.eu/guidance-documents/guidance-on-reach>

**Compatible Parts**



TE Part # CAT-B8519-P7565  
 BUCHANAN WIREMATE POKE-IN



TE Part # 2324697-2  
 PUSH GRIP CONNECTOR 2P



TE Part # 2-2834245-1  
 2P, FLEX GRIP WIRE CONNECTOR

**Customers Also Bought**



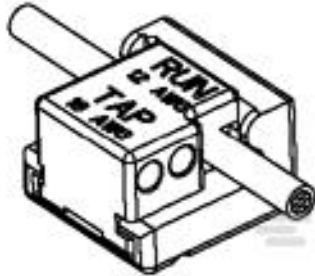
TE Part #1-640251-3  
 3.96mm Wire-to-board housing: receptacle, no mating alignment, SL 156



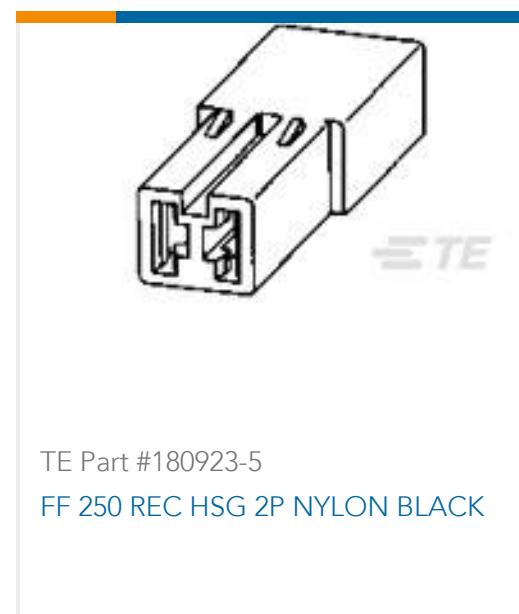
TE Part #1-2176232-7  
 SMD Power Resistor: 3 Watt, 1% Tol



TE Part #88190-8  
 2.54mm FFC Connectors Receptacle Housing



TE Part #1811027-1  
 ASSEMBLY, 12AWG TAP



## Documents

### Product Drawings

[ASSEMBLY,18AWG TAP](#)

English

### CAD Files

[3D PDF](#)

English

[Customer View Model](#)

[ENG\\_CVM\\_1811027-2\\_A1.2d\\_dxf.zip](#)

English

[Customer View Model](#)

[ENG\\_CVM\\_1811027-2\\_A1.3d\\_igs.zip](#)

English

[Customer View Model](#)

[ENG\\_CVM\\_1811027-2\\_A1.3d\\_stp.zip](#)

English

By downloading the CAD file I accept and agree to the [Terms and Conditions](#) of use.

### Datasheets & Catalog Pages

[Poke-in Wire tap IDC Splice flyer](#)

English

[Poke-in Wire tap IDC Splice flyer](#)

### Product Specifications

[Application Specification](#)

English

### Instruction Sheets



[Instruction Sheet \(U.S.\)](#)

English

---

[Agency Approvals](#)

[Agency Approval Document](#)

English