

41904 ✓ ACTIVE

AMPLIVAR

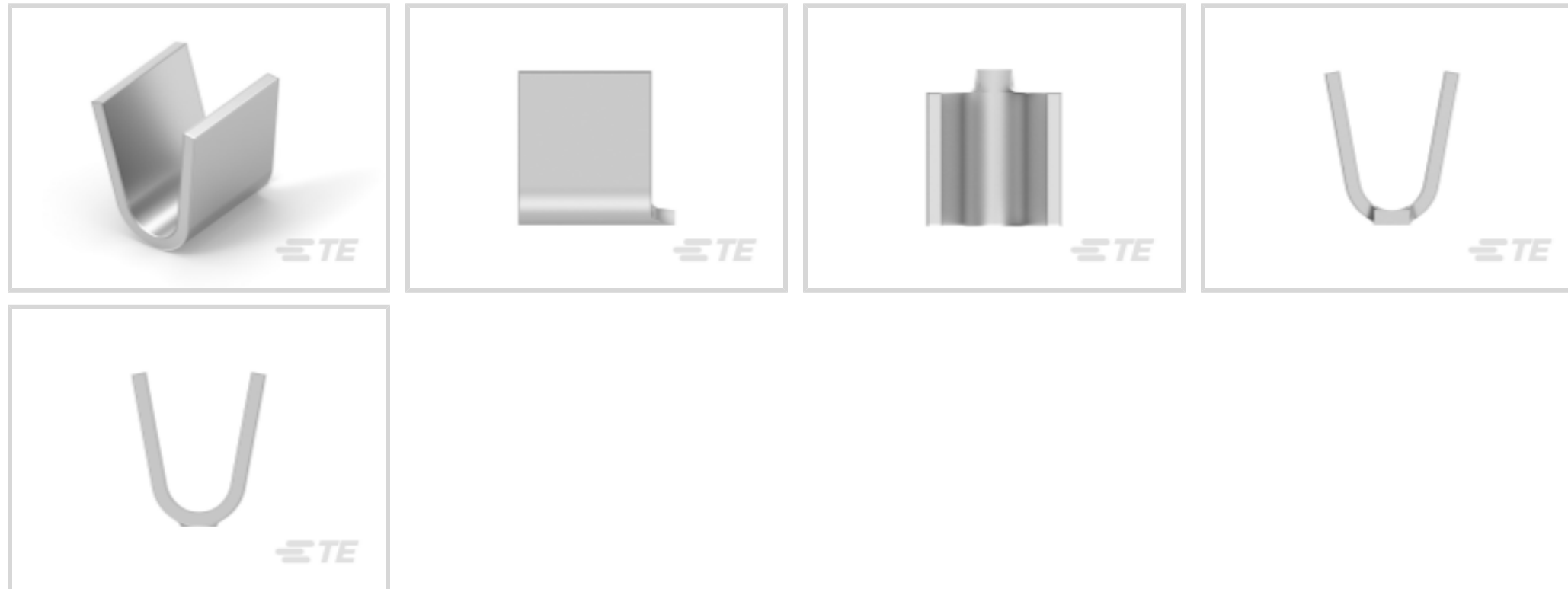
TE Internal #: 41904

AMPLIVAR, Splices, Splice, Splice, 12 – 9AWG Wire Size, 3.46 – 6.38 mm<sup>2</sup> Wire Size, Splice Capacity 3, End Feed, Barrel Inside Diameter .11 in [2.79 mm]

[View on TE.com >](#)



Terminals & Splices > Splices



Splice Product Type: **Splice**

Terminal & Splice Type: **Splice**

Wire Size: **3.46 – 6.38 mm<sup>2</sup>**

Sealable: **No**

### Features

#### Product Type Features

Splice Product Type	Splice
Sealable	No
Splice Type	Thru Splice
Serrated	Yes
Splice Barrel Type	Open Barrel
Splice Wire/Cable Type	Magnet Wire
Insulated	No

#### Configuration Features

Strip Orientation	End Feed
Splice Capacity	3
Number of Serrations	5

#### Electrical Characteristics

Operating Voltage	250 V
-------------------	-------

#### Body Features

--	--

Weight per Piece	.44 g
Plating Material	Tin
Splice Features	End Feed
Splice Material	Brass

#### Contact Features

Contact Plating Material	Tin
Terminal & Splice Type	Splice

#### Termination Features

Crimp Width	4.57 mm[.18 in]
-------------	-----------------

#### Mechanical Attachment

Wire Insulation Support	Without
-------------------------	---------

#### Dimensions

Wire Size	7000 – 13000 CMA
Barrel Inside Diameter	2.79 mm[.11 in]
Splice Material Thickness	.64 mm[.025 in]
Splice Overall Length	5.72 mm[.225 in]

#### Usage Conditions

Insulation Requirement	Uninsulated
Operating Temperature Range	-65 – 150 °C[-85 – 302 °F]

#### Operation/Application

Heavy Duty	No
------------	----

#### Industry Standards

Government Qualified Splice	No
-----------------------------	----

#### Packaging Features

Packaging Quantity	15000
Splice Packaging Method	Strip

#### Product Compliance

For compliance documentation, visit the product page on [TE.com](#)>

EU RoHS Directive 2011/65/EU	Compliant
EU ELV Directive 2000/53/EC	Compliant
China RoHS 2 Directive MIIT Order No 32, 2016	No Restricted Materials Above Threshold

EU REACH Regulation (EC) No. 1907/2006

Current ECHA Candidate List: JAN 2021 (211)

Candidate List Declared Against: JAN 2021 (211)

Does not contain REACH SVHC

Halogen Content

Low Halogen - Br, Cl, F, I < 900 ppm per homogenous material. Also BFR/CFR/PVC Free

Solder Process Capability

Not applicable for solder process capability

Product Compliance Disclaimer

This information is provided based on reasonable inquiry of our suppliers and represents our current actual knowledge based on the information they provided. This information is subject to change. The part numbers that TE has identified as EU RoHS compliant have a maximum concentration of 0.1% by weight in homogenous materials for lead, hexavalent chromium, mercury, PBB, PBDE, DBP, BBP, DEHP, DIBP, and 0.01% for cadmium, or qualify for an exemption to these limits as defined in the Annexes of Directive 2011/65/EU (RoHS2). Finished electrical and electronic equipment products will be CE marked as required by Directive 2011/65/EU. Components may not be CE marked. Additionally, the part numbers that TE has identified as EU ELV compliant have a maximum concentration of 0.1% by weight in homogenous materials for lead, hexavalent chromium, and mercury, and 0.01% for cadmium, or qualify for an exemption to these limits as defined in the Annexes of Directive 2000/53/EC (ELV). Regarding the REACH Regulation, the information TE provides on SVHC in articles for this part number is based on the latest European Chemicals Agency (ECHA) 'Guidance on requirements for substances in articles' posted at this URL: <https://echa.europa.eu/guidance-documents/guidance-on-reach>

## Compatible Parts



TE Part # 63562-1  
SPLICE 10400-22900 030TPBR



TE Part # 5053052016  
RNF-100-3/16-2-STK



TE Part # 1742348-1  
9 Serr AMPLIVAR Spade



TE Part # 565747-1  
STDSTAEMPR180F K


## Also in the Series | AMPLIVAR




Crimp Wire Pins, Tabs & Ferrules(5)



Magnet Wire Terminals(5)



PCB Terminals(1)



Quick Disconnects(42)

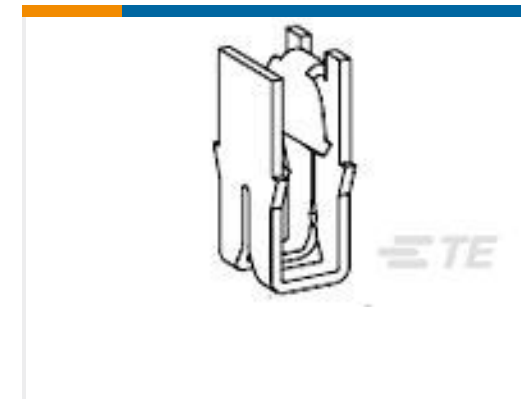


Ring Terminals &amp; Spade Terminals(28)



Splices(81)

## Customers Also Bought

TE Part #213571-2  
CPC MIL 5015TE Part #1375820-5  
Receptacle Housing: 2.54mm, 1 Row,  
CST-100 IITE Part #1375819-1  
CST-100 II CONTACT TIN PLTTE Part #192717-000  
D-110-0172TE Part #1-206070-0  
CPC CABLE CLAMPSTE Part #D42180-000  
B-155-05TE Part #2-520401-2  
ULTRA-FAST 187 ASY REC 22-18 TPBRTE Part #1217690-1  
SPECIAL LEAF CONTACT,300 SERIETE Part #2-456135-8  
CRIMPER INSULATION OTE Part #1010-058-1206  
SEAL, INTF, 12P, RED-ORG, SL RET,  
DT

## Documents

### Product Drawings

[SPLC AMVAR 7000-13000 TPBR](#)

English

### CAD Files

[3D PDF](#)

3D

[Customer View Model](#)

[ENG\\_CVM\\_CVM\\_41904\\_W.2d\\_dxf.zip](#)



English

**Customer View Model**

[ENG\\_CVM\\_CVM\\_41904\\_W.3d\\_igs.zip](#)

English

**Customer View Model**

[ENG\\_CVM\\_CVM\\_41904\\_W.3d\\_stp.zip](#)

English

By downloading the CAD file I accept and agree to the [Terms and Conditions](#) of use.

---

## Datasheets & Catalog Pages

[1654742\\_HOUSEHOLD\\_APPLIANCES\\_RAST5](#)

English

**Magnet Wire Terminals & Splices**

English

---

## Product Specifications

**No title**

English

**Application Specification**

English

**Application Specification**

English

**AMPLIVAR 5 Serration Thru Splice**

English

**No title**

Japanese

**Application Specification**

Japanese