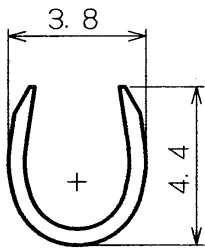
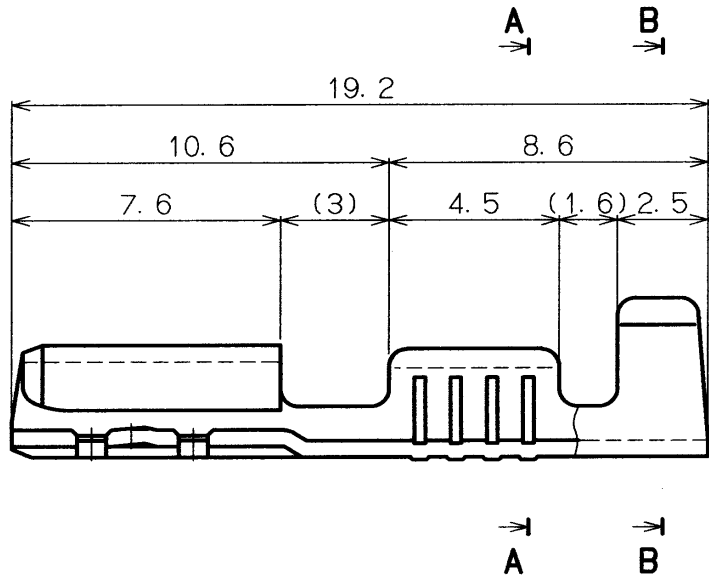


A-A sec.



B-B sec.

NOTE

1. Dimensions are in mm.
2. Unless otherwise specified, tolerances are
 - $0 \leq L \leq 3.0; \pm 0.2$
 - $3.0 < L \leq 9.0; \pm 0.3$
 - $9.0 < L \quad ; \pm 0.5$

						REVISIONS		
TERMINAL		BRASS	t0.45					
No.	NAME	MATERIAL	REMARKS					
J. S. T.						PART NAME		
APPROVED BY	CHECKED BY	DRAWN BY	SCALE	PROJECTION	DATE	PART No.	LTO-1.0-250N	
T-N	Y.S.	S.F.	free		Jan. 14 '97	DRAWING No.	KRD-19640	

THIS DRAWING CONTAINS INFORMATION THAT IS PROPRIETARY TO JST AND SHOULD NOT BE USED WITHOUT WRITTEN PERMISSION.