

Integrated Miniaturized Antenna for 838~898 MHz ISM Band Wireless RF Applications

TCA14A is an advanced, surface-mount(SMT) integrated antenna for use in various wireless products, ideal for high-sensitivity and low profile design.



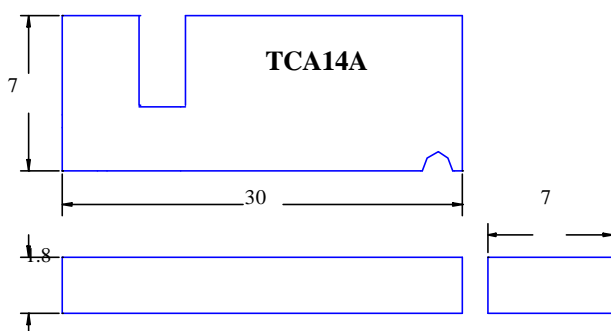
Features:

- Miniaturized size
- Omni-direction
- Low interference design
- Wide bandwidth
- Light weight
- High gain

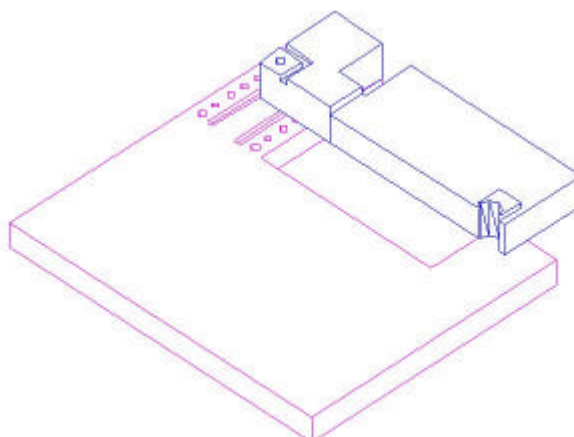
Specification

- | | |
|--------------------|------------|
| • Part No. | TCA14A |
| • Center Frequency | 868MHz |
| • Band width | 60MHz |
| • Typical Gain | 1.0dBi |
| • Operating Temp. | -20°C~70°C |
| • Storage Temp. | -20°C~90°C |
| • Weight | 0.8g |

Outline of TCA14A(unit:mm)

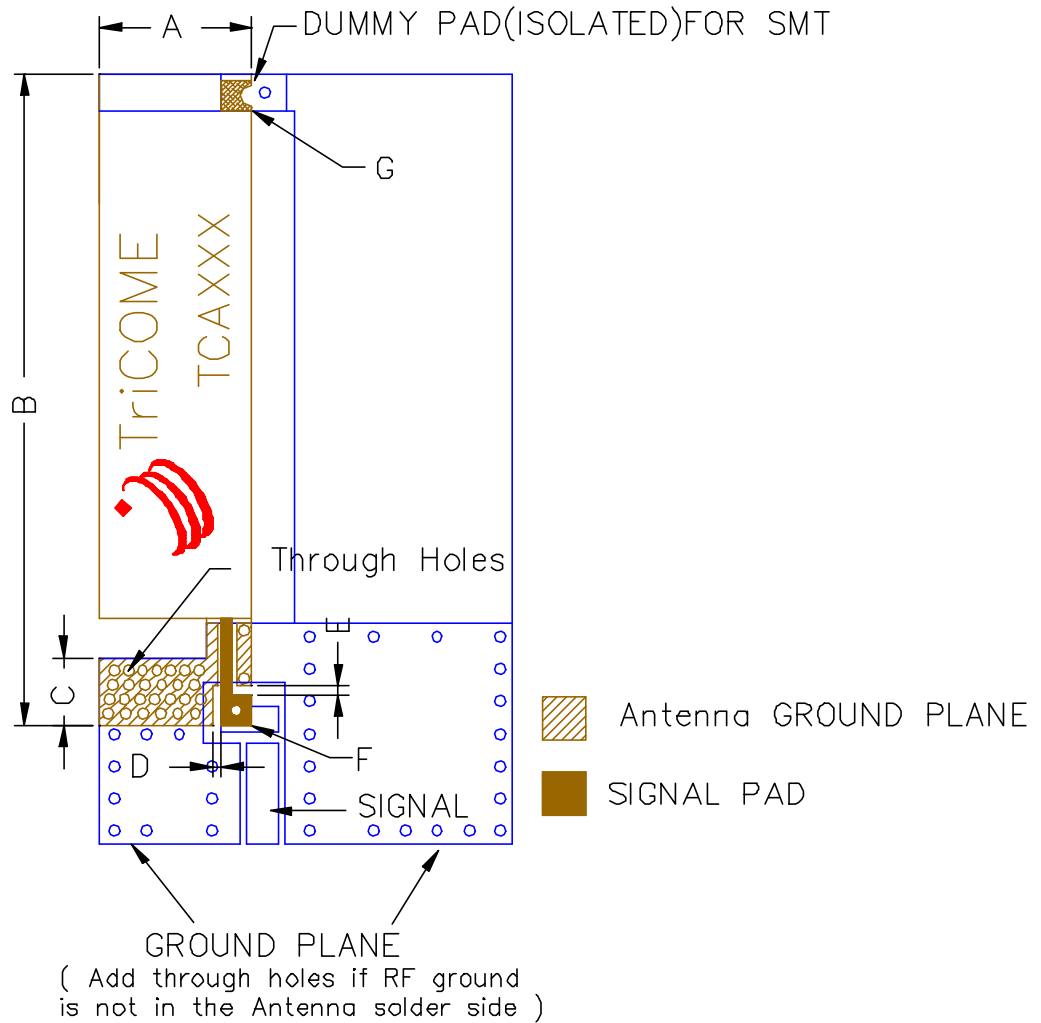


Typical SMT Installation





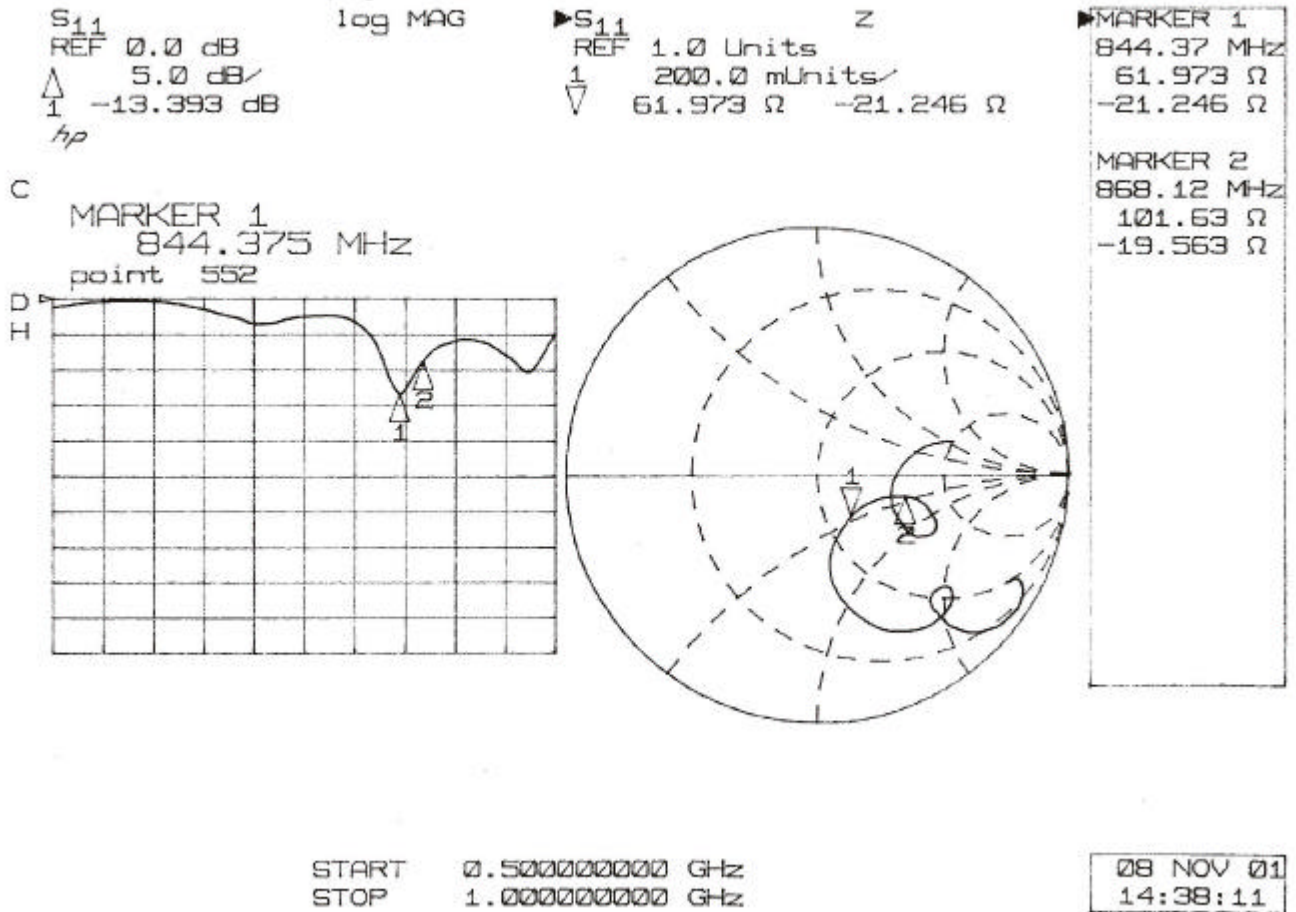
Lavout Guide (unit:mm)



A	7mm
B	30mm
C	3.1mm
D	0.4mm
E	0.4mm
F	1.4x1.4mm
G	1.4x1.4mm



Input Characteristics



This specification , prepared by TriCOME , is believed to be accurate and reliable . But TriCOME reserves the right to make any change or improvement without further notice.