

Poignées de manutention en inox rondes

Description de l'article/illustrations du produit



Description

Matière :
Inox 1.4404.

Finition :
poli ou grenailé.

Remarques concernant la commande :
Matériel de fixation et rondelles d'extrémité à commander séparément.

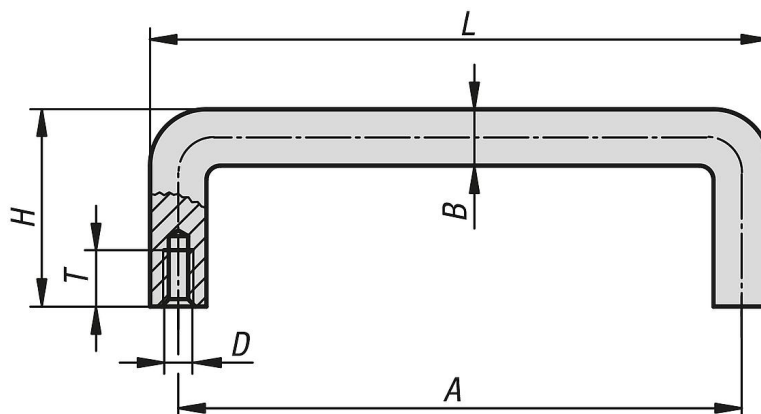
Accessoires :
Rondelles de finition K1823.
Rondelle K0868.
Rondelle K1150.
Vis H K0871.
Vis K1796.
Vis CHC K0869.

Poignées de manutention en inox rondes

Description de l'article/illustrations du produit



Dessins



Aperçu des articles

Poignées de manutention en inox rondes

Référence	Surface corps	A	B	D	H	T	L	Charge N
K1793.032031	polie	32	5	M3	24	6	37	500
K1793.042031	polie	42	5	M3	24	6	47	500
K1793.055031	polie	55	5	M3	24	6	60	500
K1793.064031	polie	64	5	M3	24	6	69	500
K1793.076031	polie	76	5	M3	24	6	81	500
K1793.088031	polie	88	5	M3	24	6	93	500
K1793.032041	polie	32	8	M4	32	8	40	500
K1793.042041	polie	42	8	M4	32	8	50	500
K1793.055041	polie	55	8	M4	32	8	63	500
K1793.064041	polie	64	8	M4	32	8	72	500
K1793.076041	polie	76	8	M4	32	8	84	500
K1793.088041	polie	88	8	M4	32	8	96	500
K1793.096041	polie	96	8	M4	32	8	104	500
K1793.098041	polie	98	8	M4	32	8	106	500
K1793.100041	polie	100	8	M4	32	8	108	500
K1793.102041	polie	102	8	M4	32	8	110	500
K1793.120041	polie	120	8	M4	32	8	128	500
K1793.136041	polie	136	8	M4	32	8	144	500

Poignées de manutention en inox rondes

Aperçu des articles

Référence	Surface corps	A	B	D	H	T	L	Charge N
K1793.055051	polie	55	10	M5	40	10	65	1000
K1793.064051	polie	64	10	M5	40	10	74	1000
K1793.076051	polie	76	10	M5	40	10	86	1000
K1793.088051	polie	88	10	M5	40	10	98	1000
K1793.096051	polie	96	10	M5	40	10	106	1000
K1793.098051	polie	98	10	M5	40	10	108	1000
K1793.100051	polie	100	10	M5	40	10	110	1000
K1793.102051	polie	102	10	M5	40	10	112	1000
K1793.120051	polie	120	10	M5	40	10	130	1000
K1793.136051	polie	136	10	M5	40	10	146	1000
K1793.140051	polie	140	10	M5	40	10	150	1000
K1793.160051	polie	160	10	M5	40	10	170	1000
K1793.180051	polie	180	10	M5	40	10	190	1000
K1793.200051	polie	200	10	M5	40	10	210	1000
K1793.235051	polie	235	10	M5	40	10	245	1000
K1793.250051	polie	250	10	M5	40	10	260	1000
K1793.300051	polie	300	10	M5	40	10	310	1000
K1793.350051	polie	350	10	M5	40	10	360	1000
K1793.120061	polie	120	12	M6	42	12	132	1000
K1793.136061	polie	136	12	M6	42	12	148	1000
K1793.140061	polie	140	12	M6	42	12	152	1000
K1793.160061	polie	160	12	M6	42	12	172	1000
K1793.180061	polie	180	12	M6	42	12	192	1000
K1793.200061	polie	200	12	M6	42	12	212	1000
K1793.235061	polie	235	12	M6	42	12	247	1000
K1793.250061	polie	250	12	M6	42	12	262	1000
K1793.300061	polie	300	12	M6	42	12	312	1000
K1793.350061	polie	350	12	M6	42	12	362	1000
K1793.140081	polie	140	16	M8	58	12	156	1000
K1793.160081	polie	160	16	M8	58	12	176	1000
K1793.180081	polie	180	16	M8	58	12	196	1000
K1793.200081	polie	200	16	M8	58	12	216	1000
K1793.235081	polie	235	16	M8	58	12	251	1000
K1793.250081	polie	250	16	M8	58	12	266	1000
K1793.300081	polie	300	16	M8	58	12	316	1000
K1793.350081	polie	350	16	M8	58	12	366	1000
K1793.032033	grenillée mate	32	5	M3	24	6	37	500
K1793.042033	grenillée mate	42	5	M3	24	6	47	500
K1793.055033	grenillée mate	55	5	M3	24	6	60	500
K1793.064033	grenillée mate	64	5	M3	24	6	69	500
K1793.076033	grenillée mate	76	5	M3	24	6	81	500
K1793.088033	grenillée mate	88	5	M3	24	6	93	500
K1793.032043	grenillée mate	32	8	M4	32	8	40	500
K1793.042043	grenillée mate	42	8	M4	32	8	50	500
K1793.055043	grenillée mate	55	8	M4	32	8	63	500
K1793.064043	grenillée mate	64	8	M4	32	8	72	500
K1793.076043	grenillée mate	76	8	M4	32	8	84	500
K1793.088043	grenillée mate	88	8	M4	32	8	96	500
K1793.096043	grenillée mate	96	8	M4	32	8	104	500
K1793.098043	grenillée mate	98	8	M4	32	8	106	500
K1793.100043	grenillée mate	100	8	M4	32	8	108	500
K1793.102043	grenillée mate	102	8	M4	32	8	110	500
K1793.120043	grenillée mate	120	8	M4	32	8	128	500
K1793.136043	grenillée mate	136	8	M4	32	8	144	500
K1793.055053	grenillée mate	55	10	M5	40	10	65	1000
K1793.064053	grenillée mate	64	10	M5	40	10	74	1000
K1793.076053	grenillée mate	76	10	M5	40	10	86	1000
K1793.088053	grenillée mate	88	10	M5	40	10	98	1000
K1793.096053	grenillée mate	96	10	M5	40	10	106	1000
K1793.098053	grenillée mate	98	10	M5	40	10	108	1000
K1793.100053	grenillée mate	100	10	M5	40	10	110	1000
K1793.102053	grenillée mate	102	10	M5	40	10	112	1000

Poignées de manutention en inox rondes

Aperçu des articles

Référence	Surface corps	A	B	D	H	T	L	Charge N
K1793.120053	grenailée mate	120	10	M5	40	10	130	1000
K1793.136053	grenailée mate	136	10	M5	40	10	146	1000
K1793.140053	grenailée mate	140	10	M5	40	10	150	1000
K1793.160053	grenailée mate	160	10	M5	40	10	170	1000
K1793.180053	grenailée mate	180	10	M5	40	10	190	1000
K1793.200053	grenailée mate	200	10	M5	40	10	210	1000
K1793.235053	grenailée mate	235	10	M5	40	10	245	1000
K1793.250053	grenailée mate	250	10	M5	40	10	260	1000
K1793.300053	grenailée mate	300	10	M5	40	10	310	1000
K1793.350053	grenailée mate	350	10	M5	40	10	360	1000
K1793.120063	grenailée mate	120	12	M6	42	12	132	1000
K1793.136063	grenailée mate	136	12	M6	42	12	148	1000
K1793.140063	grenailée mate	140	12	M6	42	12	152	1000
K1793.160063	grenailée mate	160	12	M6	42	12	172	1000
K1793.180063	grenailée mate	180	12	M6	42	12	192	1000
K1793.200063	grenailée mate	200	12	M6	42	12	212	1000
K1793.235063	grenailée mate	235	12	M6	42	12	247	1000
K1793.250063	grenailée mate	250	12	M6	42	12	262	1000
K1793.300063	grenailée mate	300	12	M6	42	12	312	1000
K1793.350063	grenailée mate	350	12	M6	42	12	362	1000
K1793.140083	grenailée mate	140	16	M8	58	12	156	1000
K1793.160083	grenailée mate	160	16	M8	58	12	176	1000
K1793.180083	grenailée mate	180	16	M8	58	12	196	1000
K1793.200083	grenailée mate	200	16	M8	58	12	216	1000
K1793.235083	grenailée mate	235	16	M8	58	12	251	1000
K1793.250083	grenailée mate	250	16	M8	58	12	266	1000
K1793.300083	grenailée mate	300	16	M8	58	12	316	1000
K1793.350083	grenailée mate	350	16	M8	58	12	366	1000