

GN 224.1 - GN 224.5

Finger handles

Steel or stainless steel

RH-FM

Thimble-shaped handles

Technopolymer

- 1
- 2
- 3
- 4
- 5
- 6
- 7
- 8
- 9
- 10
- 11
- 12
- 13
- 14
- 15
- 16
- 17
- 18



MATERIAL

Round cross section bar.
GN 224.1: chrome-plated steel.
GN 224.5: AISI 304 stainless steel, brushed matte finish.

WASHERS

GN 224.1: nickel-plated zinc alloy.
GN 224.5: AISI 304 stainless steel.

MATERIAL

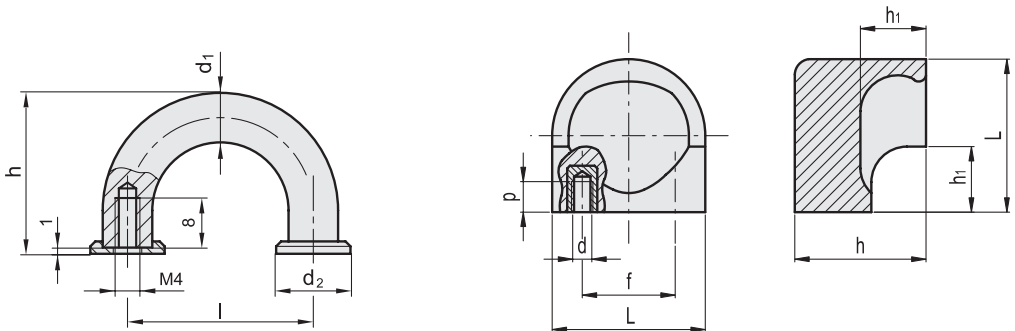
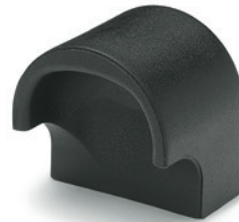
Glass-fibre reinforced polyamide based (PA) technopolymer.

COLOUR

Black, semi-matte finish.

STANDARD EXECUTION

Tapped brass boss.



GN 224.1

Code	Description	d1	l	d2	h	
GN.10381	GN 224.1-8-30-CR	8	30±0.25	12	26	20
GN.10382	GN 224.1-10-40-CR	10	40±0.25	15	31	40

Code	f	L	d	p	h	h1	
RHFM-14.022.9005	14	26	M4	6	22	11	15
RHFM-18.026.9005	18	30	M4	6	26	13	21

GN 224.5



Code	Description	d1	l	d2	h	
GN.10385	GN 224.5-8-30	8	30±0.25	12	26	20
GN.10386	GN 224.5-10-40	10	40±0.25	15	31	40

Lift & Pull handles