

5mm Flashing Green LED

Order code: **55-1896**

MPN: OSPG5X31A



Features

- High power LEDs
- 5mm Standard directivity
- Water clear type
- Flashing Type
- Superior weather-resistance

Application

- Automotive dashboard lighting
- Traffic signal lamp

Absolute maximum ratings (Ta = 25°C)

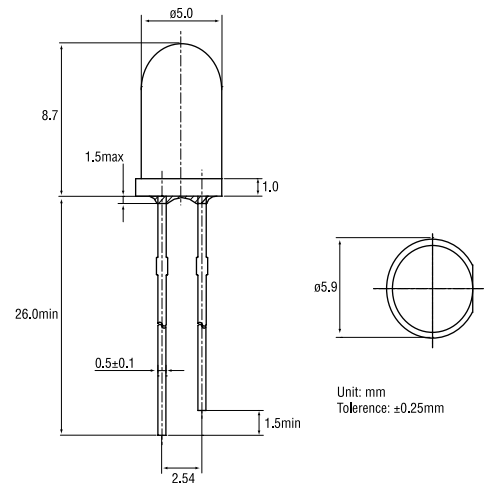
Item	Symbol	Value	Unit
Oscillator frequency	F_{led}	1.5	Hz
Operating temperature	T_{opr}	-30~+80	°C
Storage temperature	T_{stg}	-30~+100	°C
Lead soldering temperature	T_{sol}	260°C/3sec	-

* Pulse width max. 10ms Duty ratio max. 1/10

Electrical - Optical characteristics (Ta = 25°C)

Item	Symbol	Condition	Min.	Typ.	Max.	Unit
Operating voltage	V_{dd}	-	4.5	5.0	6.0	V
Operating current	I_{op}	-	-	10	40	mA
Quiescent current	I_{sb}	-	-	1	5	uA
Driving current	I_{ol}	-	-	25	-	mA
Domi. wavelength	λ_D	$I_F=20mA$	520	525	530	nm
Luminous intensity	I_v	$I_F=20mA$	2180	3000	4200	mcd
50% Power angle	$2\theta_{1/2}$	$I_F=20mA$	-	30	-	deg

Outline dimensions:



Directivity:

