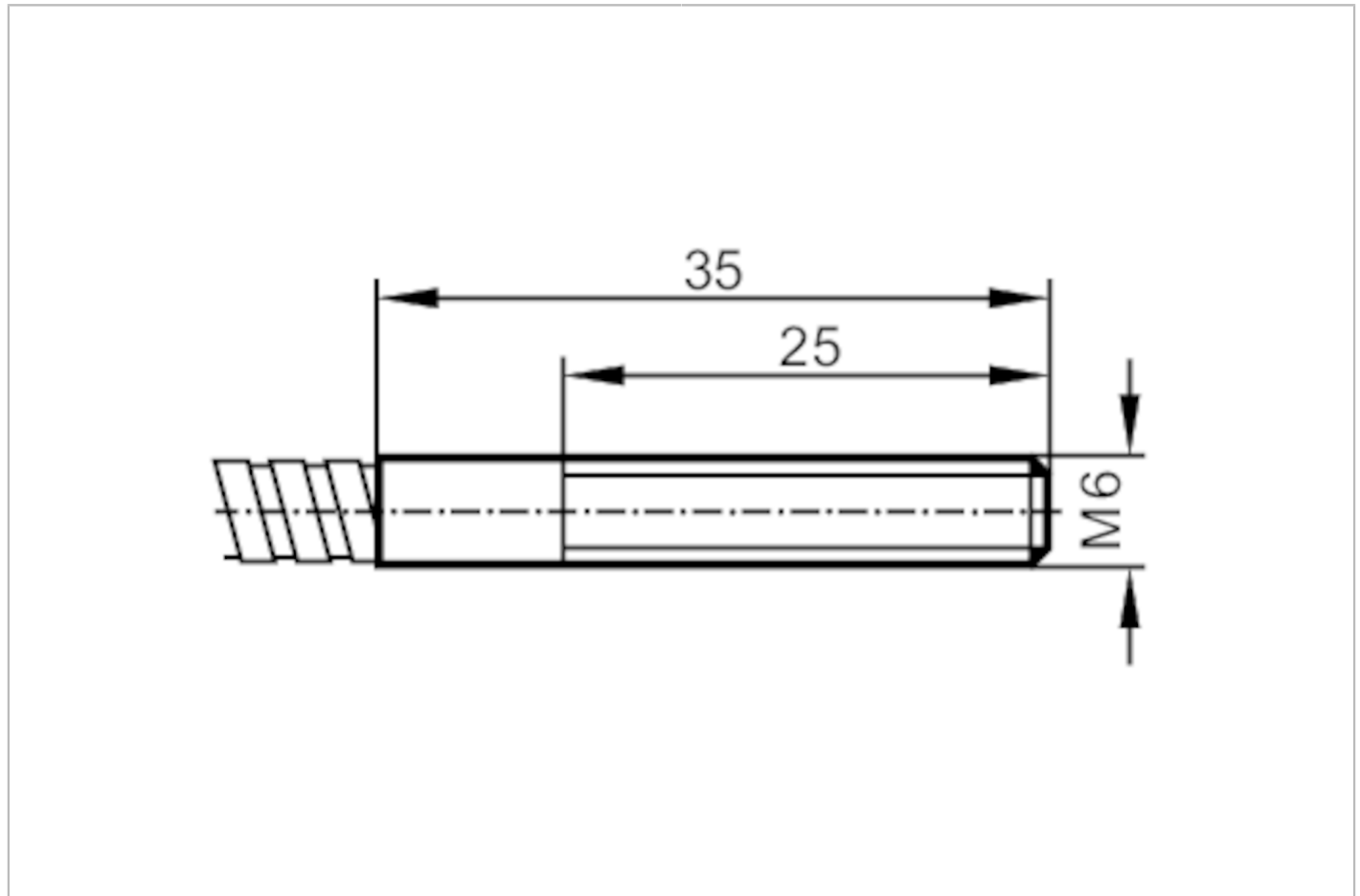




Fibre optic diffuse reflection sensor

FT-00-A-A-M6/2M



| Application | |
|---------------------------------------|---------------------------|
| Function principle | Diffuse reflection sensor |
| Detection zone | |
| Range with fibre optic amplifier type | OKF; OUF; OOF |
| OKF | |
| Range fibre optics [mm] | 32 |
| OOF | |
| Range fibre optics [mm] | 160 |
| OUF | |
| Range fibre optics [mm] | 32 |
| Operating conditions | |
| Ambient temperature [°C] | -40...290 |

E20124



Fibre optic diffuse reflection sensor

FT-00-A-A-M6/2M

| Mechanical data | |
|--------------------------|---------------------------------------|
| Weight [g] | 85.8 |
| Version of sensing head | straight |
| Sensing head thread | M6 |
| Sensing head length [mm] | 35 |
| Total length [mm] | 2000 |
| Min. bending radius [mm] | 20; (for fixed installation) |
| Fibre arrangement | Ⓢ |
| Materials | Adapter: ABS |
| Fibre material | glass |
| Fibre head material | aluminium |
| Fibre sheath material | aluminium |
| Accessories | |
| Accessories (supplied) | hexagon nuts: 2 x M6, stainless steel |
| | tooth lock washers: 2 |
| | knurled nut: 1 x M11 |
| Remarks | |
| Pack quantity | 1 pcs. |