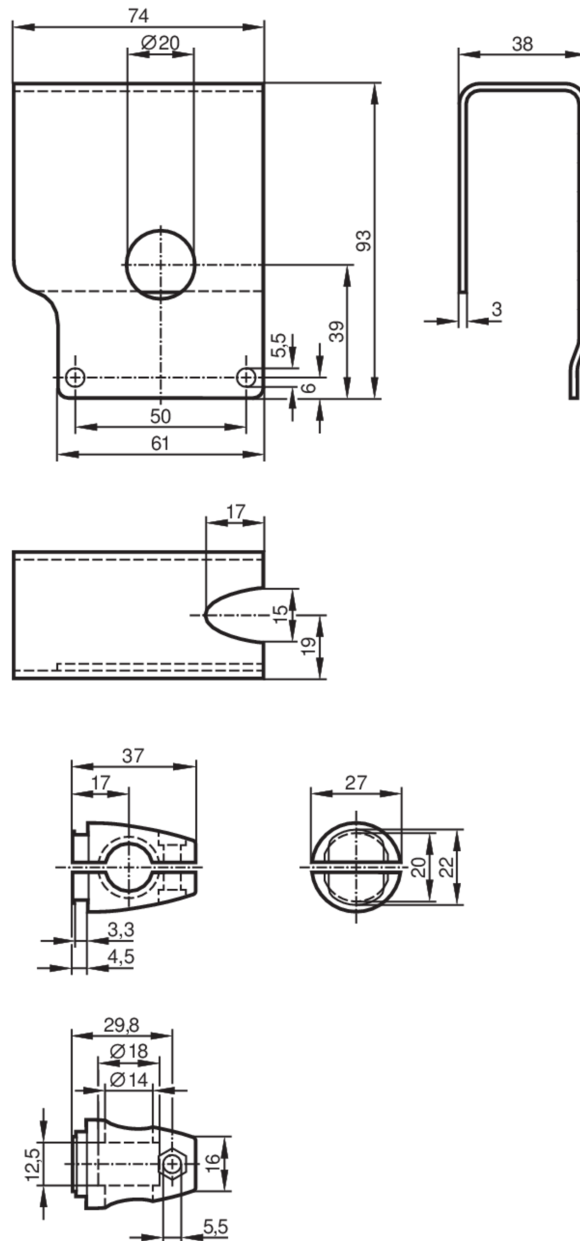


E20791



Mounting set with protective cover for photoelectric sensors

MOUNTING SET OL LARGE ROD



Application	
Design	clamp mounting, with protective cover
Mechanical data	
Weight [g]	397
Type of mounting	Mounting rod; ($\varnothing 14$ mm)
Materials	fixture: stainless steel; Clamp: diecast zinc
Remarks	
Pack quantity	1 pcs.