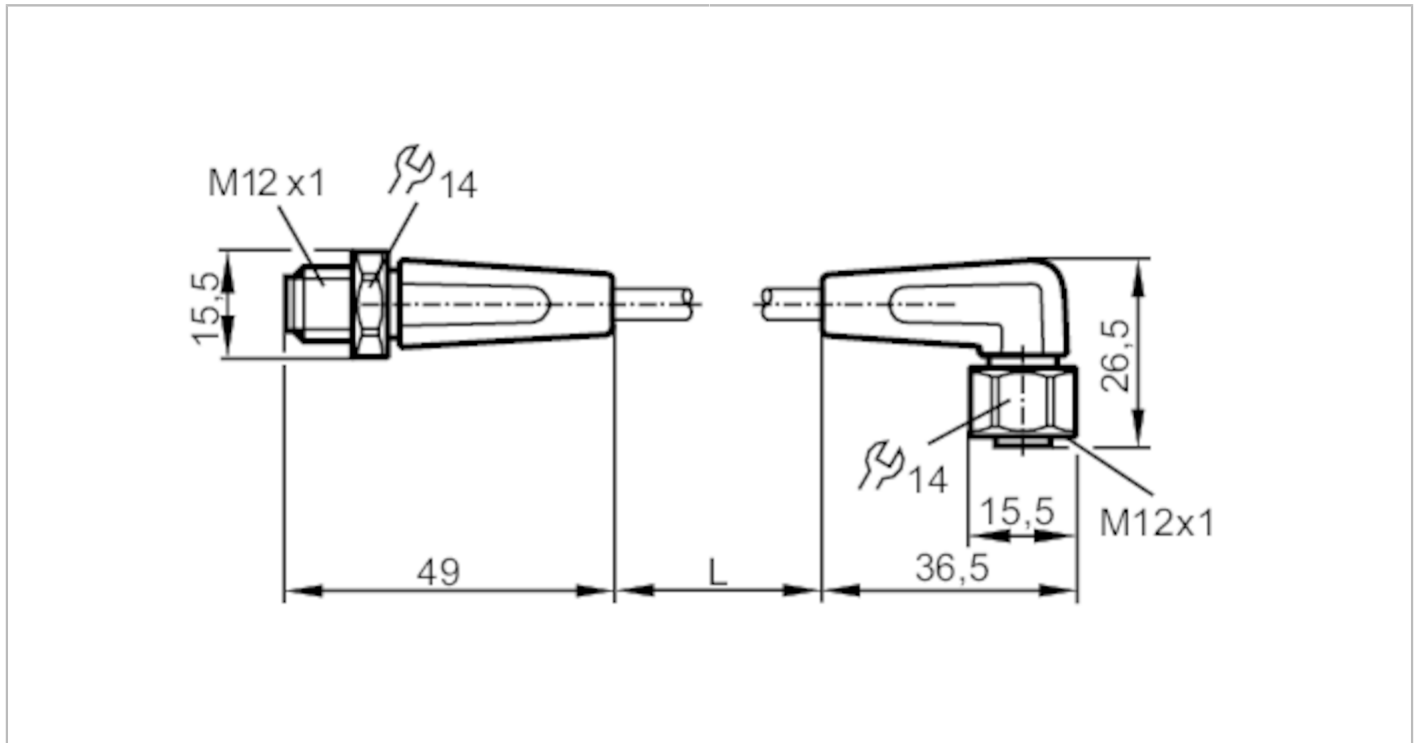


# EVF120



## Connection cable

VDOAH040VAS01,5P04STGH040VAS



| Application                       |  |  |
|-----------------------------------|--|--|
| Special feature                   | Free from silicone; Halogen-free; Gold-plated contacts; Drag chain suitability |  |
| Application                       | hygienic and wet areas in the food industry                                    |  |
| Free from silicone                | yes  |  |
| Electrical data                   |  |  |
| Operating voltage [V]             | < 250 AC / < 300 DC  |  |
| Protection class                  | II   |  |
| Max. current load total [A]       | 4  |  |
| Operating conditions              |  |  |
| Ambient temperature [°C]          | -25...100  |  |
| Ambient temperature (moving) [°C] | 0...100  |  |
| Protection                        | IP 65; IP 67; IP 68; IP 69K  |  |
| Mechanical data                   |  |  |
| Weight [g]                        | 73   |  |
| Materials                         | PP Halogen-free; Sealing: EPDM   |  |
| Material nut                      | stainless steel (1.4404 / 316L) / stainless steel (1.4404 / 316L)              |  |
| Drag chain suitability            | yes  |  |
| Drag chain suitability            | bending radius for flexible use  | min. 10 x cable diameter   |
|                                   | travel speed   | max. 3.3 m/s for a horizontal travel length of 5 m and max. acceleration of 5 m/s <sup>2</sup> |
|                                   | bending cycles   | > 1 Mio.   |
|                                   | torsional strain   | ± 180 °/m  |

# EVF120



## Connection cable

VDOAH040VAS01,5P04STGH040VAS

### Remarks

Pack quantity

1 pcs.

### Electrical connection - plug

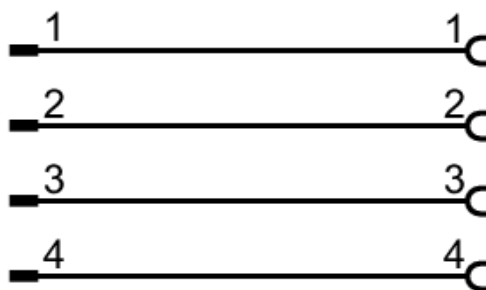
Connector: 1 x M12, straight; Moulded body: PP, Halogen-free; Locking: stainless steel (1.4404 / 316L); Contacts: gold-plated; Tightening torque: 0.6...1.2 Nm



### Electrical connection

Cable: 1.5 m, MPPE, Halogen-free, grey, Ø 4.9 mm; 4 x 0.34 mm<sup>2</sup> (42 x Ø 0.1 mm)

### Connection



### Electrical connection - socket

Connector: 1 x M12, angled; Moulded body: PP, Halogen-free; Locking: stainless steel (1.4404 / 316L); Contacts: gold-plated; Tightening torque: 0.6...1.5 Nm

