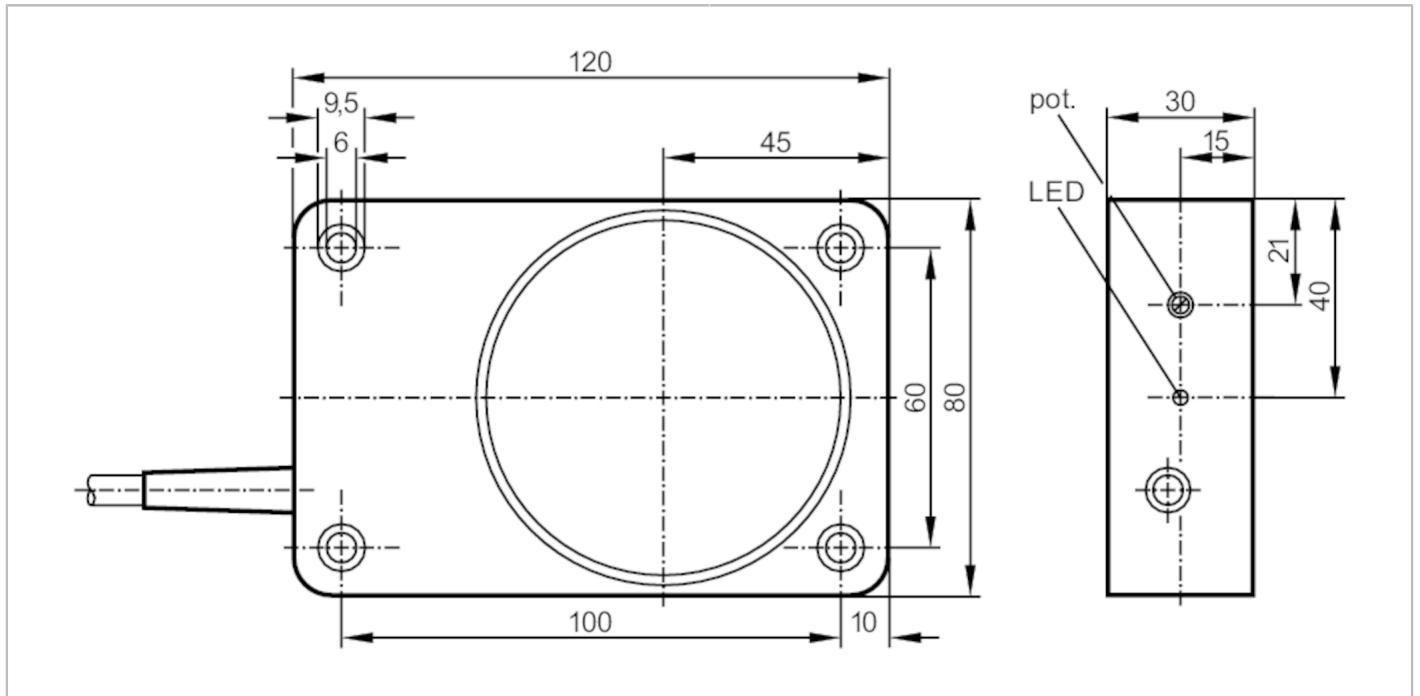


ID0015



Inductive sensor

ID-2050-BBOA



Product characteristics

Output function		normally closed
Sensing range	[mm]	50
Housing		rectangular
Dimensions	[mm]	120 x 80 x 30

Electrical data

Operating voltage	[V]	20...250 AC/DC
Protection class		II
Reverse polarity protection		no

ID0015



Inductive sensor

ID-2050-BBOA

Outputs		
Output function	normally closed	
Max. voltage drop switching output DC [V]	5	
Max. voltage drop switching output AC [V]	5.5	
Minimum load current [mA]	5	
Max. leakage current [mA]	2.5 (250 V AC) / 1.3 (110 V AC) / 0.8 (24 V DC)	
Permanent current rating of switching output AC [mA]	250; (350 (...50 °C))	
Permanent current rating of switching output DC [mA]	100	
Short-time current rating of switching output [mA]	2200; (20 ms / 0,5 Hz)	
Switching frequency AC [Hz]	25	
Switching frequency DC [Hz]	35	
Short-circuit proof	no	
Overload protection	no	
Detection zone		
Sensing range [mm]	50	
Sensing range adjustable	yes	
Factory setting sensing range [mm]	50	
Real sensing range Sr [mm]	50 ± 10 %	
Operating distance [mm]	0...40.5	
Accuracy / deviations		
Correction factor	steel: 1 / stainless steel: 0.7 / brass: 0.4 / aluminium: 0.3 / copper: 0.2	
Hysteresis [% of Sr]	1...15	
Switch point drift [% of Sr]	-10...10	
Operating conditions		
Ambient temperature [°C]	-25...80	
Protection	IP 65	
Tests / approvals		
EMC	EN 60947-5-2	class B
	EN 55011	
MTTF [years]	512	
Mechanical data		
Weight [g]	592	
Housing	rectangular	
Mounting	non-flush mountable	
Dimensions [mm]	120 x 80 x 30	
Materials	PPE modified	
Displays / operating elements		
Display	switching status	1 x LED, yellow
Electrical connection		
Required protection	miniature fuse to IEC60127-2 sheet 1; ≤ 2 A; fast acting	

ID0015



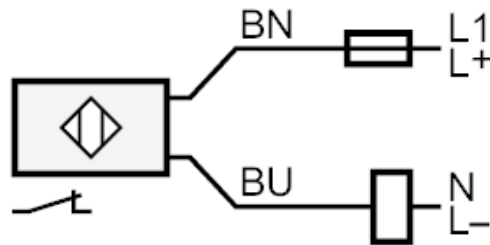
Inductive sensor

ID-2050-BBOA

Accessories	
Accessories (supplied)	screwdriver: 1
Remarks	
Remarks	Recommendation: Check the safe functioning of the unit after a short circuit.
Pack quantity	1 pcs.

Electrical connection	
Cable: 2 m, PVC; 2 x 0.5 mm ²	

Connection



Note miniature fuse to IEC60127-2 sheet 1 \leq 2 A fast acting

Core colours :

BN = brown

BU = blue