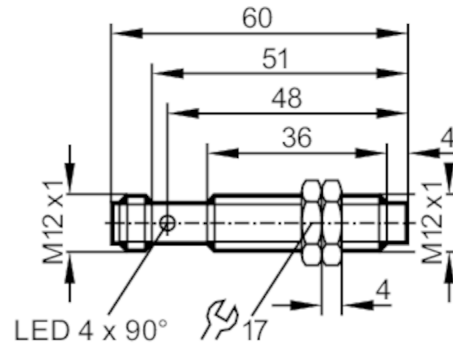


IF6026



Inductive sensor

IFK3007-BNKG/US



Product characteristics

Electrical design	NPN
Output function	normally closed
Sensing range [mm]	7
Housing	threaded type
Dimensions [mm]	M12 x 1 / L = 60

Application

Special feature	Increased sensing range
-----------------	-------------------------

Electrical data

Operating voltage [V]	10...36 DC
Current consumption [mA]	15; (24 V)
Protection class	II
Reverse polarity protection	yes

Outputs

Electrical design	NPN
Output function	normally closed
Max. voltage drop switching output DC [V]	2.5
Permanent current rating of switching output DC [mA]	250
Switching frequency DC [Hz]	800
Short-circuit protection	yes
Type of short-circuit protection	pulsed
Overload protection	yes

Detection zone


Sensing range [mm]	7
Real sensing range S_r [mm]	$7 \pm 10\%$
Operating distance [mm]	0...5.7
Increased sensing range	yes

IF6026



Inductive sensor

IFK3007-BNKG/US

Accuracy / deviations		
Correction factor	steel: 1 / stainless steel: 0.7 / brass: 0.5 / aluminium: 0.4 / copper: 0.3	
Hysteresis [% of Sr]	1...15	
Switch point drift [% of Sr]	-10...10	
Operating conditions		
Ambient temperature [°C]	-30...70	
Protection	IP 67	
Tests / approvals		
EMC	EN 60947-5-2	
	EN 55011	class B
MTTF [years]	1878	
Mechanical data		
Weight [g]	27.4	
Housing	threaded type	
Mounting	non-flush mountable	
Dimensions [mm]	M12 x 1 / L = 60	
Thread designation	M12 x 1	
Materials	brass white bronze coated; PC	
Displays / operating elements		
Display	switching status	4 x 90° LED, yellow
Accessories		
Accessories (supplied)	lock nuts: 2	
Remarks		
Pack quantity	1 pcs.	
Electrical connection - plug		
Connector: 1 x M12		
		

IF6026

Inductive sensor

IFK3007-BNKG/US



Connection

