

CUBE67 BUS NODES

Profibus DP

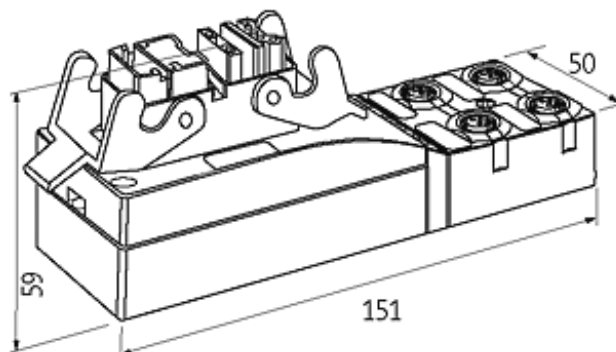
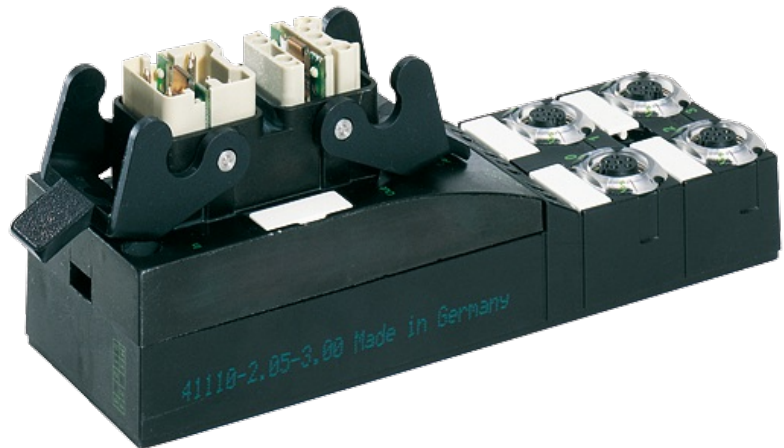
PROFIBUS DP

Connection technology ECOFAST®

Housing fully potted. ECOFAST® is a registered trade mark of SIEMENS. For connection cables please see chapter "Connection Technology"

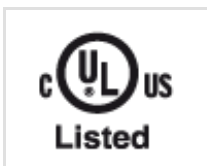
[Link to Product](#)

Illustration



Product may differ from Image

Approvals



More Info



Connections

Fieldbus	DESINA® ECOFAST®
Sensor-system/actuator supply	DESINA® ECOFAST®
Internal system connection	M12, 6 pole; max. 4 A

Fieldbus

Operating modes	Sync- and freeze mode are supported
Transfer rate	to 12 Mbit/s
Addressing	Rotary switch 0...99

General data

Protection	IP65
Mounting method	2-hole screw mounting
Temperature range	0...+55 °C (storage temperature -20...+75 °C)
Dimensions H × W × D	151×50×50.3 mm

Module Supply

Operating voltage	24 V DC (EN 61131-2)
Current consumption	max. 120 mA

Diagnostic

Communication status	per LED and BUS
Diagnostic via LED	per module and channel
Diagnostic via BUS	per module and channel
Monitoring - under voltage	yes
Monitoring - no voltage	yes
Short circuit and overload	yes

Commercial data

country of origin	DE
customs tariff number	85176200
minimum order quantity	1