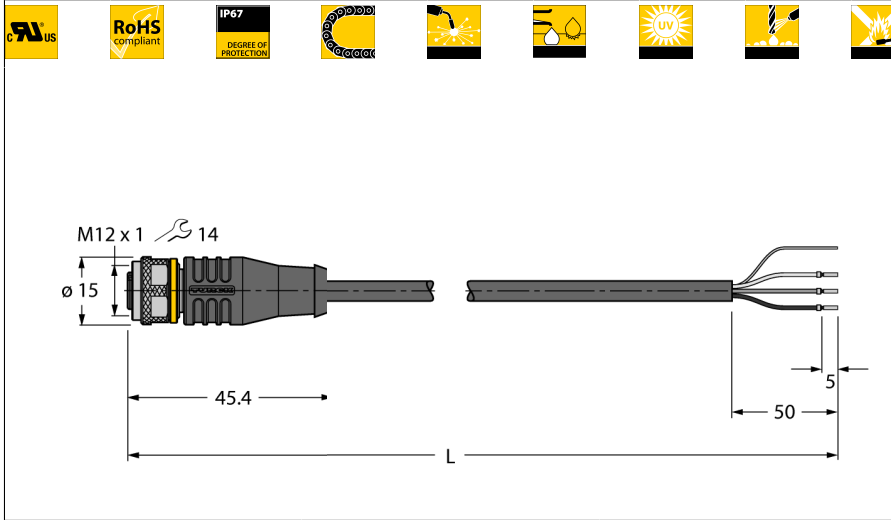


**Actuator/sensor cable, PUR  
Connection cable  
RKS4T-5/TXL**

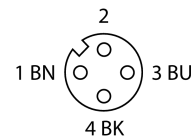
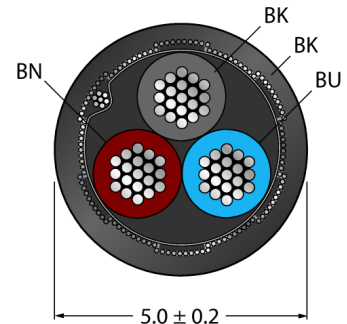


- Female M12, straight, 3-pin
- Shield on coupling nut/screw
- Sheath material: PUR, shielded
- Sheath color: black
- Qualified for drag chain use
- Resistant to weld splatter
- Resistant to chemicals, UV radiation and oils
- Flame retardant
- Free from halogen, silicone, PVC and LABS
- Particularly resistant to abrasion
- Approval: cULus
- RoHS conform
- Protection class IP67
- Cable length: 5.0 m

**Type designation** RKS4T-5/TXL  
**Ident no.** 6626294

**Connector A side** Female connector, M12 ♂ 1, Straight  
**Number of pins** 3  
**Contacts** Brass, CuZn, Gold-plated  
**Contact carriers** Plastic, TPU, Black  
**Grip** Plastic, TPU, Black  
**Coupling nut/screw** Brass, CuZn, Nickel-plated  
**Seal** Plastic, FPM/FKM  
**Protection class** IP67, A + B side screwed together  
**Mechanical lifespan** > 100 Mating cycles  
**Pollution degree** 3  
**Tightening torque** 0.8 ... 1 Nm  
 (observe max. torque of counter piece!)

**Cable Cross-section**

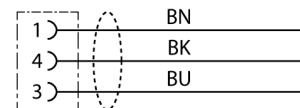


**General data**  
**Cable diameter** 5 ± 0.20mm  
**Cable length** 5 m  
**Cable quality** PUR  
**Cable color** Black  
**Core insulation** PP  
**Core colors** BN, BU, BK  
**Core cross-section** 3x0.34mm<sup>2</sup>  
**Arrangement of strands** 42x0.1 mm  
**Shielding** Aluminum foil, tinned copper wire

**Electrical features at +20 °C**  
**Current** 4 A  
**Rated voltage** 250 V  
**Insulation resistance** > 30.5 MΩ/km  
**Test voltage** 2000 V  
**Forward resistance** max. 57 Ω/km

Drawing shows design status including hexagon coupling nut (Start of production CW42/2016).

**Circuit Diagram**



**Actuator/sensor cable, PUR**  
**Connection cable**  
**RKS4T-5/TXL**

**TURCK**

Industrial  
Automation

---

**Mechanical and chemical properties**

Max. tensile strength (static)	≤ 50 N/mm <sup>2</sup>
Max. tensile strength (dynamic)	≤ 20 N/mm <sup>2</sup>
Bending cycles	> 2 mil.
Bending radius (stationary laying)	> 5 x Ø
Bending radius (flexible use)	> 10 x Ø
Admissible acceleration	max. 5 m/s <sup>2</sup>
Admissible travel path, horizontal	5 m (at 5 m/s <sup>2</sup> )
Admissible travel path, vertical	2 m (at 5 m/s <sup>2</sup> )
Admissible traversing speed	3.3 m/s
Torsional stress	± 180 °/m
Ambient temperature	
Stationary	-50...+80°C
In motion	-25...+80°C
Drag chain operation	-25...+60°C

**Actuator/sensor cable, PUR**  
**Connection cable**  
**RKS4T-5/TXL**

**TURCK**

Industrial  
Automation

**Accessories**

Type code	Ident no.	Description	
Torque-Wrench-Set-AS	6936170	Torque wrench set; handles with adjustable torque 0.4-1.0 Nm, torque wrench for M8 (SW9), fork wrench for M12 (SW 14)	
BLANK-LABEL-FOR-CORDESETS-TEL-TXL	6936206	Label for TEL and TXL cables, length: 18 mm, height: 4 mm, material: polycarbonate (PC), color: white, halogen-free and flame-retardant	