



FACK2SBpm



FACK4Bpm



FKFBpm



KBNC1275BPM



KBNC50Bpm



KCF3GBpm



KCHDBpm



KCK66Bpm



KCUAA2Bpm



KCUABBpm



KOLADXBpm



KOLMMDXBpm



KOLSMDXBpm



KSH66Bpm



SACK3SBpm



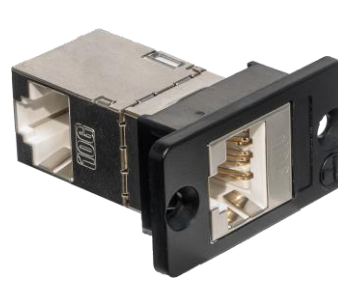
SACK4Bpm



SEKjeBpm



SGACK2SBpm



SGACK90Spm



SGKSjeBpm



SGKSLJBpm



SKFBpm



SKmcbpm



SLJBpm



KAPMkpk2



KAPMBfni



KAPMkpk



FFPM16,



FFPM16MC



Code	Description	Dimensions - Weight (L x W x H mm)	Link to Keystone's Specification	EAN Numbers
FACK2SBpm	Category 5e female to female coupler, shielded	29.7 x 19 x 35 – 19.5g	FACK2S	5055386509390
FACK4Bpm	Category 5e unshielded compact coupler	29.5 x 19 x 35 – 8.5g	FACK4	5055386509406
FKFBpm	Category 5e tool-less IDC socket, unshielded	37 x 19 x 35 – 8.5g	FKF	5055386509413
KBNC1275Bpm	BNC coupler Ultra HD 75 ohm 12Ghz	32.5 x 19 x 35 – 12.5g	KBNC1275	5055386509468
KBNC50Bpm	BNC 50-ohm female to female coupler	32.5 x 19 x 35 – 18.5g	KBNC50	5055386509475
KCF3GBpm	3G F connector female to female coupler	25.5 x 19 x 35 – 8.5g	KCF3G	5055386509857
KCHDBpm	HDMI female to female coupler	19.8 x 19 x 35 – 10.5g	KCHD	5055386509482
KCK66Bpm	RJ12 6p6c coupler	26.5 x 19 x 35 – 6.5g	KCK66BKne	5055386509703
KCUAA2Bpm	USB2 A female to A female coupler	35.5 x 19 x 35 – 10.5g	KCUAA2	5055386509499
KCUABBpm	USB2 A female to B female adaptor, reversible	34.4 x 19 x 35 – 10.5g	KCUAB	5055386509505
KOLADXBpm	Fibre female to female coupler, LC APC to LC APC, single mode duplex	35 x 19 x 35 – 6.5g	KOLADX	5055386509512
KOLMMDXBpm	Fibre female to female coupler LC to LC, multi mode duplex	33 x 19 x 35 – 6.5g	KOLMMDX	5055386509529
KOLSMDXBpm	Fibre female to female coupler LC to LC, single mode duplex	34 x 19 x 35 – 6.5g	KOLSMDX	5055386509536
KSH66Bpm	RJ12 6p6c socket	36.4 x 22.8 x 35 – 8.5g	KSH66	5055386509543
KUA2Bpm	USB2 A Screw Termination Socket	28.4 x 19 x 35 – 8.5g	KUA2	5055386509550
SACK3SBpm	Category 6 female to female coupler, shielded	30 x 19 x 35 – 20.5g	SACK3S	5055386509574
SACK4Bpm	Category 6 unshielded compact coupler	30 x 19 x 35 – 8.5g	SACK4	5055386509581
SEKjeBpm	Category 8 socket	41.6 x 19 x 35 – 30.5g	SEKje	5055386509598
SGACK2SBpm	Category 6A female to female coupler, shielded	29.7 x 19 x 35 – 19.5g	SGACK2S	5055386509604
SGACK90SBpm	Category 6A female to female coupler, w/rear outlet 90° to front outlet, shielded (suitable for Cat 6 or Cat 5e)	36.1 x 19 x 35 – 12.5g	SGACK90	5055386509611
SGKSjeBpm	Category 6A contractor grade shielded socket	37.8 x 19 x 35 – 24.5g	SGKSje	5055386509628
SGKSLJBpm	Category 6A STP tool-less locking socket	38.75 x 19 x 35 – 20.5g	SGKSLJ	5055386509840
SKFBpm	Category 6 tool-less IDC socket, unshielded	38 x 19 x 35 – 10.5g	SKF*	5055386509635
SKmcBpm	Category 6 IDC socket, LSA-Plus and 110 type termination, unshielded	34 x 19 x 35 – 8.5g	SKmc	5055386509642
SLJBpm	LOKJAC Category 6 tool-less locking socket	36 x 19 x 35 – 8.5g	SLJ	5055386509659
KAPMBfnl	Low profile black panel mount adaptor	11 x 19 x 35 – 2.5g		5055386509420
KAPMBfnl#20	Low profile black panel mount adaptor in bags of 20	25 x 180 x 110 – 100g		5055386509437
KAPMkpk	Low profile black panel mount blank	11 x 19 x 35 – 2.7g		5055386509444
KAPMkpk#20	Low profile black panel mount blank in bags of 20	25 x 180 x 110 – 100g		5055386509451
KAPMkpk2	Clip-in blank for flexible applications, allows for installation of connectors	20.1 x 19 x 35 – 3g	KPKbk	5055386509697
FFPM16, FFPM16CM	Panel mount 16 port-panel available both with, and without cable management.	482 x 14 x 44.2 – 364g, 482 x 68.4 x 44.2 – 474g	FFPM16 , FFPM16CM	5055386508805, 5055386508812

More Information:

TUK's Low Profile Panel Mount Range offers a wide variety of audio, video and data connectors which can easily be mounted into panels of virtually any thickness.

Each connector is supplied as a kit. Kit includes coupler/connector, panel mount adaptor, and 2 pairs of black steel flat head screws (2 x M3s for European installations, 2 x 4:40s for US installations).

The Low Profile Black adaptor KAPMBfnl is durable and ensures easy mounting (into standard cut-out) – can be purchased on its own in packs of 20 pcs.

All connectors are made to relevant standards. Category 6 and 6A connectors are produced, for example, to FCC68 and to TIA/EIA 568B and have an insertion life of > 750 mating cycles. All products are CE compliant (i.e including ROHS and REACH)

1st January, 2022

Rear View



FACK2SBpm



FACK4Bpm



FKFBpm



KBNC1275BPM



KBNC50Bpm



KCF3GBpm



KCHDBpm



KCK66Bpm



KCUAA2Bpm



KCUABBpm



KOLADXBpm



KOLMMDXBpm



KOLSMDXBpm



KSH66Bpm



SACK3SBpm



SACK4Bpm



SEKjeBpm



SGACK2SBpm



SGACK90Spm



SGKSjeBpm



SGKSLJBpm



SKFBpm



SKmcBpm



SLJBpm



KAPMkpk2



KAPMBfnl



KAPMkpk



FFPM16



FFPM16MC

Low Profile Panel Mount Adaptor for Keystones



Low Profile Panel Mount Adaptor for Keystones (KAPMBfnl#20)

These adaptors enable keystones to be mounted easily into panels of virtually any thickness and can be used with most keystones of standard size. They are supplied with the choice of flathead M3 and 4:40 screw to ensure a flush, aesthetically pleasing finish.

Features

- Light-weight, durable polycarbonate adaptor ensures easy mounting.
- Provides insulation from interference from the panel.
- Supplied with 2 pairs of crosshead screws
 - 2 x black flat head M3 screws
 - 2 x black flat head 4:40 screws to fit in US style panels.

Specifications

- Weight: 2.5g
- Dimensions: 11 x 19 x 35mm
- Colour: Black, RAL 9011
- Material:
 - Adaptor: Polycarbonate UL94V-0
 - Screws: Steel

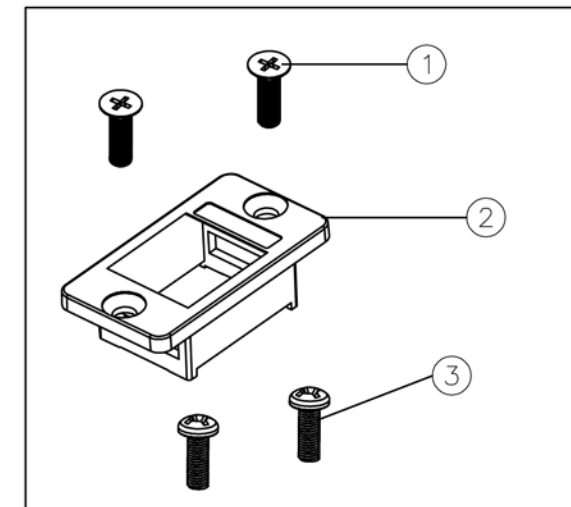
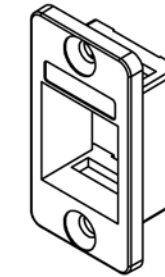
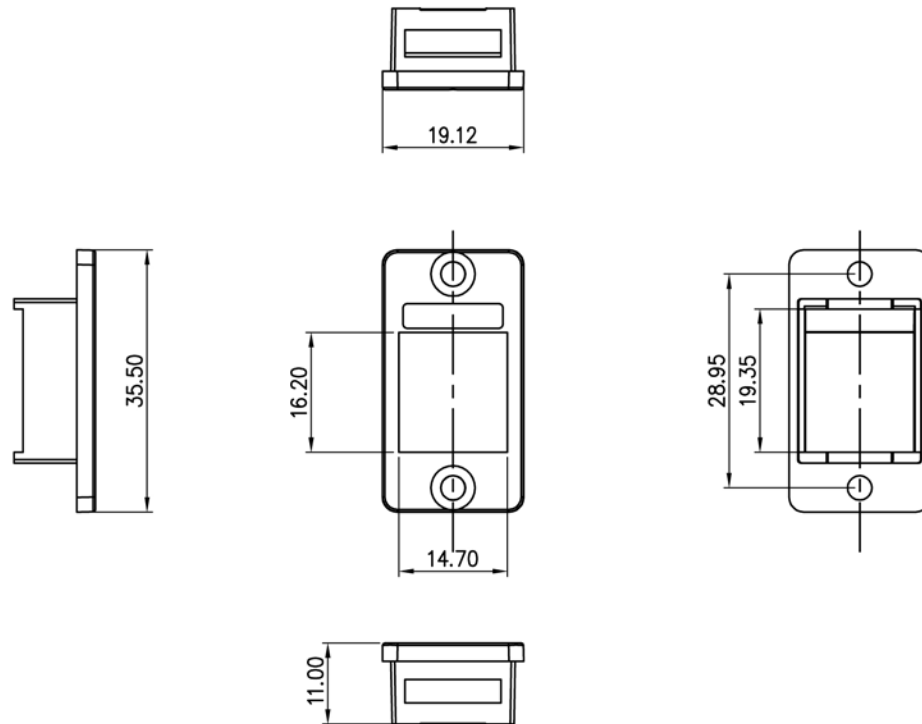
Packaging: Supplied in bags of 20, then packed in 5's

EAN: 5055386509420

Commodity code: 85444290



ROHS Compliant

Code: KAPMB**Specifications:****- Materials:**

1. Fe
2. Black PC UL94V-0
3. Fe

- Packaging: in packs of 20**- Working temperature:** -10 ~ 60°C**- Storage temperature:** -40 ~ 70°C

Low Profile Panel Mount Blank



Low Profile Black Panel Blank (KAPMkpk, KAPMkpk#20)

Light-weight, durable blank able to be used with panel mount panels of virtually any thickness. They are supplied with both flathead M3, and 4:40 screw which ensures a flush, aesthetically pleasing finish.

Features

- Supplied with 2 pairs of screws
 - 2 x black, black flat head M3 screws
 - 2 x black, black flat head 4:40 screws to fit in US style panels
- For installations where more flexibility is needed, please see our 2-part panel mount blank, KAPMkpk2.

Specifications

- Weight: 2.7g
- Dimensions: 11 x 19 x 35mm
- Colour: Black, RAL 9011
- Material:
 - Blank: Polycarbonate UL94V-0
 - Screws: Steel



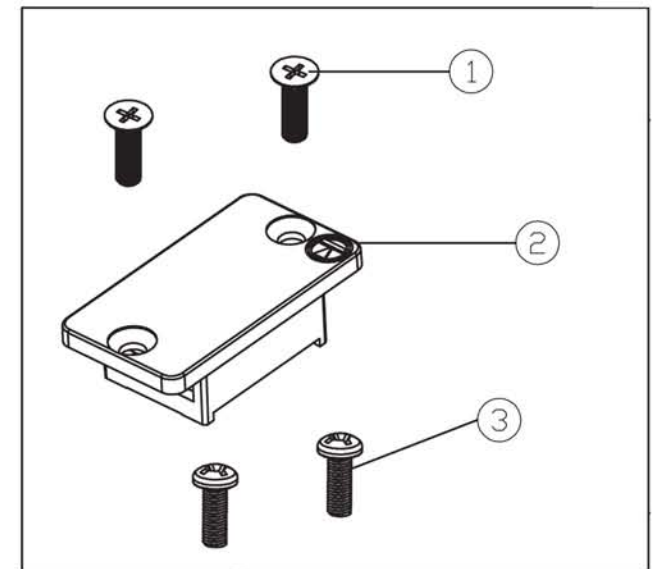
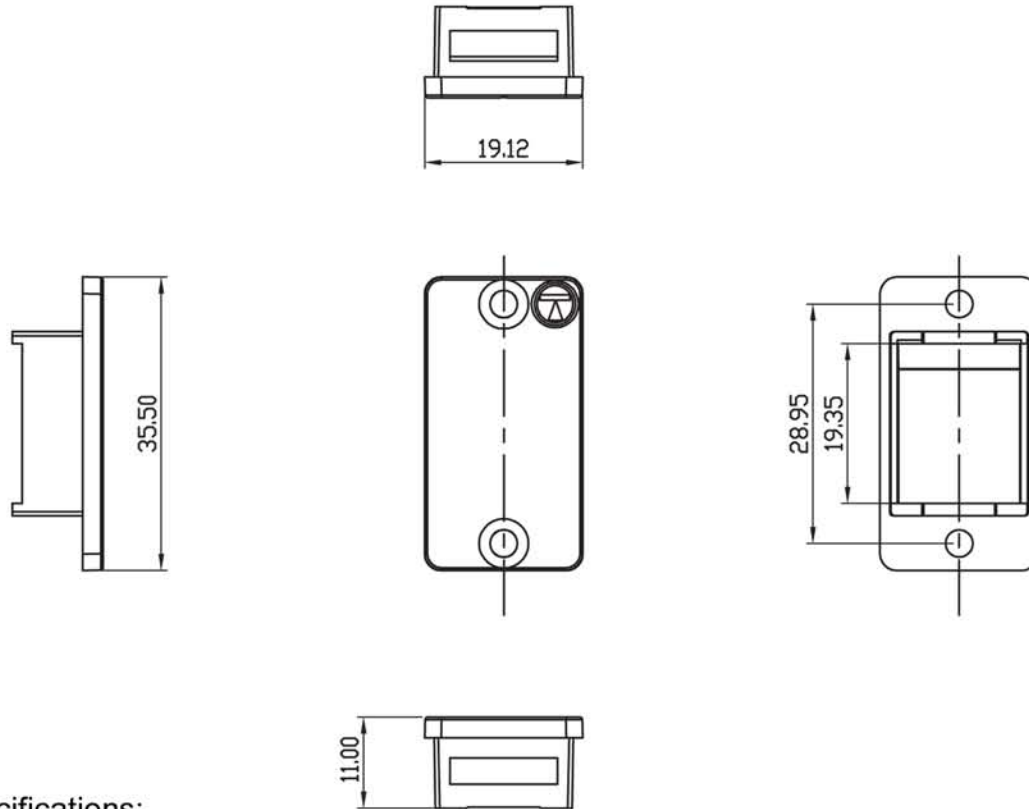
Packaging: Supplied in bags of 20, then individually packed

EAN: 5055386509451

Commodity code: 85444290

ROHS Compliant

Code: KAPMkpk



Specifications:

- Materials:

1. Fe
2. Black PC UL94V-0
3. Fe

-
- Working temperature: -10 ~ 60°C
- Storage temperature: -40 ~ 70°C