




Product information EM12M4FIX Au

Industrial Connecting Solutions:Archive - Industrial Connectors:Circular Connectors E-series M12 / M12 push-pull (Archive):with screw locking:Appliance connector for front panel - front panel mounting:EM12M4FIX Au

<http://e-catalog.hirschmann.com/link/57078-24228-62529-24256-24257-24276-38182/en/conf/ui/state>

Name	EM12M4FIX Au
	
	Appliance connector, with wire ends, M16 x 1.5 front mounting thread, screw- / M12 push-pull snap locking, O-ring included
Delivery informations	
Availability	no longer available
Product description	
Description	Appliance connector, with wire ends, M16 x 1.5 front mounting thread, screw- / M12 push-pull snap locking, O-ring included
Type	EM12M4FIX Au
Order No.	934 449-001
Type of contact	male
Number of contacts	4
Cable material	PVC
Cable length	0.2 m
Conductor size	0.34 mm ²
Standard	IEC 61076-2-101 (Ed. 1)/ IEC 60947-5-2
Housing Color	metallic
Technical data	
Pin dimensions	1 mm
Wire stranding	7 x 0.25 mm
Rated voltage	AC/DC 250 V
Rated current	4 A
Material	
Contact material	Cu Zn
Contact surface material	Au
Contact bearer material	PA
Housing material	Cu Zn/Ni
O-Ring	Viton
Environmental conditions	
Protection class (IEC 60529)	IP 67
Pollution severity	3
Temperature range	-25 °C to +90 °C
Inflammability class	
Contact bearer	94 V-2
Approvals	
UL	UL pending
Packing unit	
Packaging unit	100 pieces
Scope of delivery and accessories	
Accessories to order separately	fastening nut ELST M M16, order no. 735 413-002



HIRSCHMANN

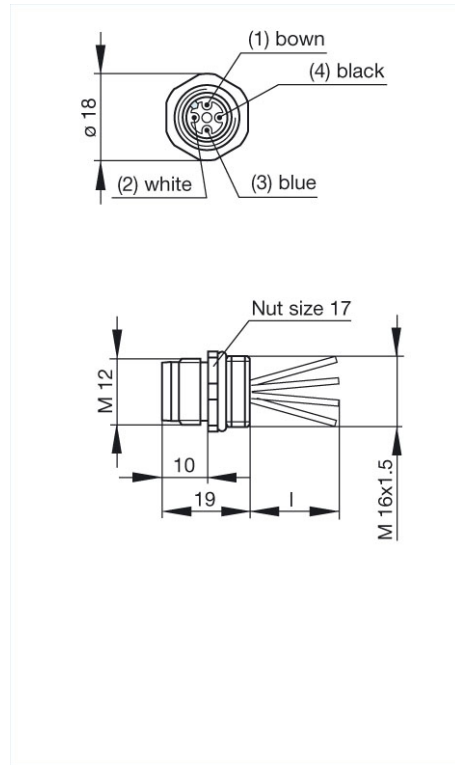
A BELDEN BRAND

Industrial Connecting Solutions:Archive - Industrial Connectors:Circular Connectors E-series M12 / M12 push-pull (Archive):with screw locking:Appliance connector for front panel - front panel mounting:EM12M4FIX Au

<http://e-catalog.hirschmann.com/link/57078-24228-62529-24256-24257-24276-38182/en/conf/uistate>

Picture

Drawing



Belden Deutschland GmbH

Im Gewerbepark 2
58579 Schalksmühle
Germany
Phone: +49 7127/14-1806
E-Mail: icos-sales@belden.com

The information published in the websites has been compiled as carefully as possible. It is subject to alteration without notice in technical as well as in price-related/commercial respect. The complete information and data were available on user documentation. Mandatory information can only be obtained by a concrete query.