



| | |
|---|---------------------------|
| DATA SHEET | 54115400 |
| SKINTOP® K-M / KR-M ATEX plus blue | valid from: 30.11.2015 |

The SKINTOP® K-M / KR-M ATEX *plus blue* is a special cable gland, based of polyamide. It is designed particularly for use in electrical equipment in areas with risk of explosion, which require class "e" security (DIN EN 60079-0, DIN EN 60079-7, DIN EN 61241-0, DIN EN 61241-1) - for intrinsically-safe circuit.



Components:

| | |
|--------------|-----------------------------|
| Gland body | Polyamide, V2 acc. to UL 94 |
| Cap nut | Polyamide, V2 acc. to UL 94 |
| Sealing ring | Special elastomer |
| O-ring | NBR |

Technical features:

| | |
|-------------------|---|
| Connecting thread | M12x1,5 up to M63x1,5 acc. to EN 60423 |
| Functional thread | Multi-start trapezoidal thread |
| Protection class | IP66 acc. to EN 60529 IP68 – 10 bar , test acc. to EN 60529 |
| Temperature range | -20 °C up to +80 °C |
| Design | K-M standard KR-M with reducing sealing ring (for smaller cable diameters) |
| Colour | RAL 5015 blue |

Approvals:



EC Type Examination Certification: IBExU 08 ATEX 1063x

IECEX Certificate: IECEX IBE 13.0027x

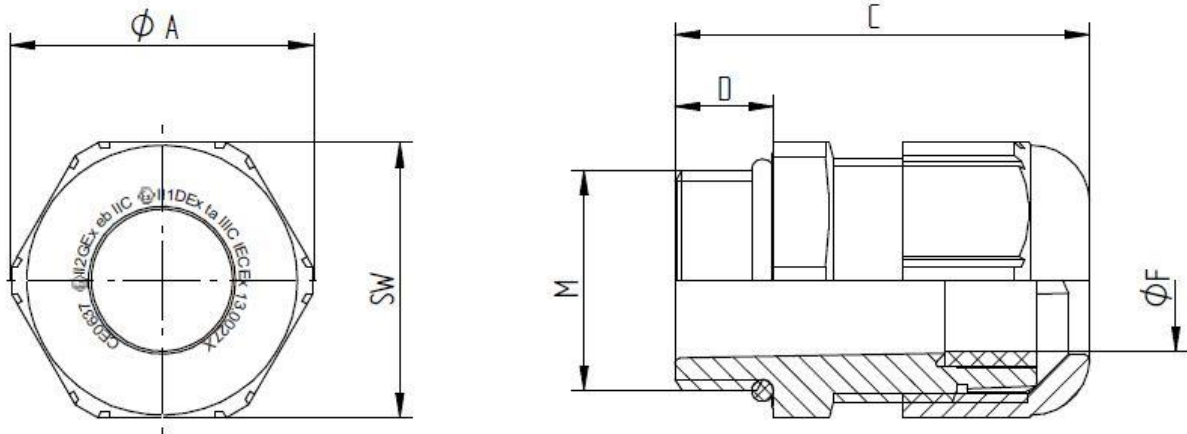
Norm references:



For more information please see our current catalogue.

| | | |
|------------------------------------|--------------------------|--------------|
| elaborated by: PDP: T. Dvoulety | document: DB54115400_6EN | page 1 von 2 |
|------------------------------------|--------------------------|--------------|

| | |
|---|---------------------------|
| DATA SHEET | 54115400 |
| SKINTOP® K-M / KR-M ATEX plus blue | valid from: 30.11.2015 |



SKINTOP® K-M ATEX plus blue

| M | SW [mm] | Ø A [mm] | C [mm] | | D [mm] | Ø F [mm] Clamping range | Article No. |
|---------|---------|----------|--------|------|--------|----------------------------|-------------|
| | | | min. | max. | | | |
| M12x1,5 | 15 | 16,6 | 26,5 | 30,0 | 8 | 3–5,5 | 54115400 |
| M16x1,5 | 19 | 21,1 | 29,0 | 34,0 | 8 | 7–9 | 54115410 |
| M20x1,5 | 25 | 27,6 | 34,0 | 38,0 | 9 | 7–13 | 54115420 |
| M25x1,5 | 30 | 33,6 | 35,0 | 40,0 | 10 | 11–17 | 54115430 |
| M32x1,5 | 36 | 40,3 | 39,0 | 47,0 | 10 | 12–21 | 54115440 |
| M40x1,5 | 46 | 51,6 | 43,0 | 52,0 | 10 | 19–28 | 54115450 |
| M50x1,5 | 55 | 61,6 | 54,0 | 62,0 | 12 | 27–35 | 54115460 |
| M63x1,5 | 66 | 73,9 | 59,0 | 71,0 | 12 | 37–45 | 54115470 |

SKINTOP® KR-M ATEX plus blue

| M | SW [mm] | Ø A [mm] | C [mm] | | D [mm] | Ø F [mm] Clamping range | Article No. |
|---------|---------|----------|--------|------|--------|----------------------------|-------------|
| | | | min. | max. | | | |
| M12x1,5 | 15 | 16,6 | 26,5 | 30,0 | 8 | 2–4 | 54115405 |
| M16x1,5 | 19 | 21,1 | 29,0 | 34,0 | 8 | 4–6 | 54115415 |
| M20x1,5 | 25 | 27,6 | 34,0 | 38,0 | 9 | 5–10 | 54115425 |
| M25x1,5 | 30 | 33,6 | 35,0 | 40,0 | 10 | 6–13 | 54115435 |
| M32x1,5 | 36 | 40,3 | 39,0 | 47,0 | 10 | 9–15 | 54115445 |
| M40x1,5 | 46 | 51,6 | 43,0 | 52,0 | 10 | 16–23 | 54115455 |
| M50x1,5 | 55 | 61,6 | 54,0 | 62,0 | 12 | 22–29 | 54115465 |
| M63x1,5 | 66 | 73,9 | 59,0 | 71,0 | 12 | 29–39 | 54115475 |