

Plastic Hoods

DTPK-P+D-Sub Solder Cup

TECHNICAL SPECIFICATIONS

D-Sub Hood:

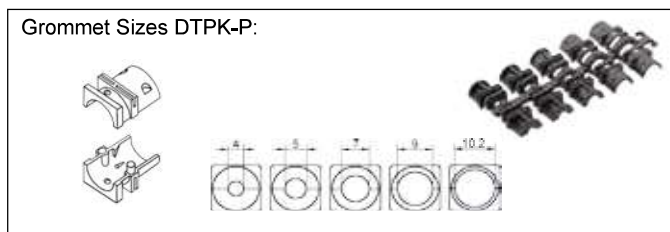
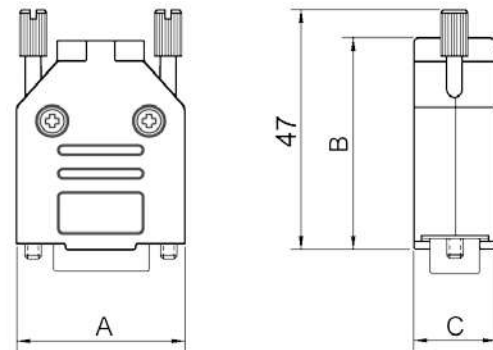
Material: UL 94 V-0 Plastic Material
 Operating Temperature: -55°C to +110°C
 Cable Entry: Top
 Thumbscrews: UNC 4-40 (Standard)
 Cable O.D: Up to 11,5mm
 Colour: Black

Standard D-Sub Solder Cup:

Insulator: Glass filled TP, UL94 V-0
 Shell: Steel, Tin Plated
 Contact pins: Copper Alloy
 Gold Flash over Ni.
 Stamped & Formed Pins Class 3, 100 inserts min.
 Contact Plating: Gold flash over Nickel
 Operating Temperature: -55°C to +85°C
 Withstanding voltage: >1000V Rms to 50 Hz for 1 minute
 Current Rating: 5A
 Insulator resistance: >5000MΩ min.

Features:

- Available in sizes 9-15-25-37
- Strain relief inserts ensure a secure termination
- Re-openable



Size DTPK-P	Dim A	Dim B	Dim C
9-way	31,2	39,9	15,0
15-way	39,5	41,5	15,0
25-way	53,4	48,6	15,0
37-way	69,7	53,6	15,0

Ordering information:

Standard D-Sub Connector Kits

Size:	P/N - Kitted:	Description:
9-way	L17DTPK-P-09+L717SDE09P	Solder Cup, 9-Male
15-way	L17DTPK-P-15+L717SDA15P	Solder Cup, 15-Male
25-way	L17DTPK-P-25+L717SDB25P	Solder Cup, 25-Male
37-way	L17DTPK-P-37+L717SDC37P	Solder Cup, 37-Male

Size:	P/N - Kitted:	Description:
9-way	L17DTPK-P-09+L77SDE09S	Solder Cup, 9-Female
15-way	L17DTPK-P-15+L77SDA15S	Solder Cup, 15-Female
25-way	L17DTPK-P-25+L77SDB25S	Solder Cup, 25-Female
37-way	L17DTPK-P-37+L77SDC37S	Solder Cup, 37-Female