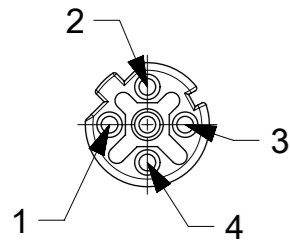


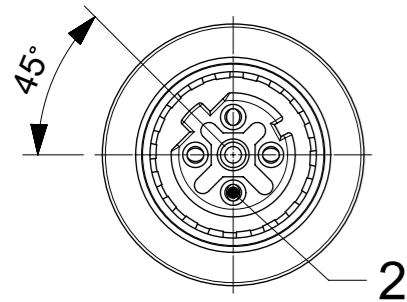
4 POLE D-CODE

M12 FEMALE



PIN	WIRE COLOR
1	OR
2	GN
3	OR/WH
4	GN/WH
5	-

CODING ACCORDING TO IEC-61076-2-101



PART No MATRIX

E **Y** **0** **A** **0** **0** **0** **X** **X** **X** **X** **X** **X** **X**

EY0: ETHERNET ULTRA LOCK 2.0 SINGLE ENDED

WIRING: A = 4 POLE STRAIGHT WIRED

HEADER: 000 = FEMALE STRAIGHT

CABLE: 04 = ETHERNET CAT-5E 2x2x24AWG TPE TEAL

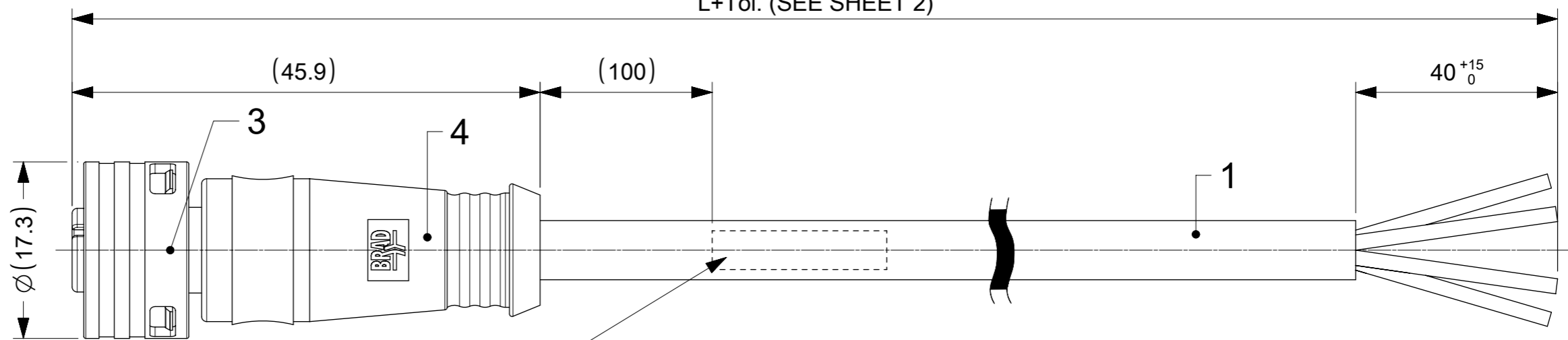
UNIT: M = METER F = FEET C = CENTIMETER T = 10M

LENGTH: EXAMPLE: 010 = 1 m 050 = 5 m 100 = 10 m

OPTIONS

OVERMOLD: BLANK = STANDARD BRAD: - YELLOW IN THE USA - BLACK IN EUROPE
A = GREY
E = RED
G = BLACK
Y = YELLOW
H = STD. COLOUR WITH TWO ID-TAG CARRIERS

L+Tol. (SEE SHEET 2)

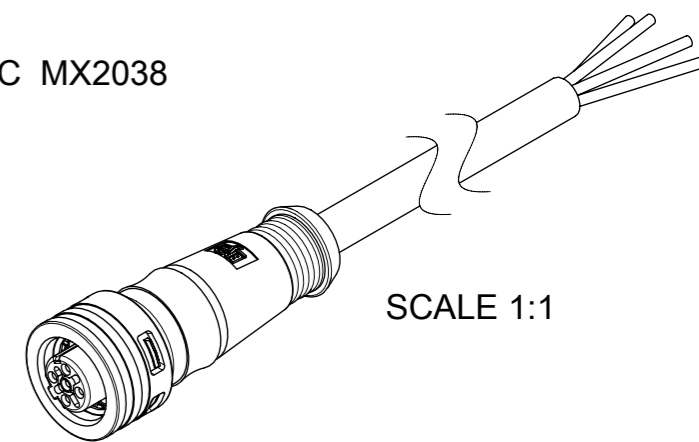


CABLE PRINTING: "MOLEX" "MOLEX P/N" "ENGINEERING NO." " MX CALENDAR YEAR CALENDAR WEEK" SECOND PRINT 300mm. AWAY

FOR EXAMPLE: MOLEX 1204000401 Y04000X04M010DC MX2038

NOTES:

- PARTS ACC. TO PRODUCT SPECIFICATION 1204000001 PS P10 AND IN STYLE OF IEC-61076-2-010
- BOM & PART LIST - SEE SHEET 2
- ELECTRICAL DATA: ACCORDING TO CAT5e ETHERNET STANDARD
RATED VOLTAGE: 60V DC
RATED CURRENT: 1.5A, DERATING HAS TO BE CONSIDERED
OVERVOLTAGE CATEGORY: 3
POLLUTION DEGREE: 3, ONLY IN MATED AND LOCKED CONDITION
- PROTECTION CLASS: IP 67, ONLY IN MATED AND LOCKED CONDITION
- TEMPERATURE RANGE:
TEMPERATURE PLUG/SOCKET: -40 °C TO +85 °C
TEMPERATURE CABLE: SEE CABLE LIST
- MECHANICAL OPERATIONS: 100 CYCLES
- MATES WITH ULTRA-LOCK M12 MALE RECEPTACLES
- PACKAGING: THE CORDSETS ARE SINGLE PACKED IN PLASTIC BAGS AND DELIVERED IN CARTON BOXES
- UL CSA FILE REGISTRATION PENDING



SCALE 1:1

FUNCTIONAL SYMBOLS	THIS DRAWING CONTAINS INFORMATION THAT IS PROPRIETARY TO MOLEX ELECTRONIC TECHNOLOGIES, LLC AND SHOULD NOT BE USED WITHOUT WRITTEN PERMISSION		CURRENT REV DESC: NOTES AND CABLE LIST UPDATED					
	$\nabla_A = 0$ $\nabla_E = 0$ $\nabla_F = 0$	DIMENSION UNITS: mm SCALE: 2:1	GENERAL TOLERANCES (UNLESS SPECIFIED) ANGULAR TOL ± 1.0° 4 PLACES ± 3 PLACES ± 2 PLACES ± 0.05 1 PLACE ± 0.3 0 PLACES ± 0.5			EC NO: 736602 DRWN: RSCHIEBER 2023/01/24 CHK'D: RSILLER 2023/01/31 APPR: RSILLER 2023/01/31	CSE U12ET 4P DC FE STR TPE 1M SE UNSH TE	
DIVISIONAL SYMBOLS	DRAFT WHERE APPLICABLE MUST REMAIN WITHIN DIMENSIONS		THIRD ANGLE PROJECTION	DRAWING: A3-SIZE	SERIES: 120406	MATERIAL NUMBER: SEE SHEET 2	CUSTOMER: GENERAL MARKET	SHEET NUMBER: 1 OF 2

