

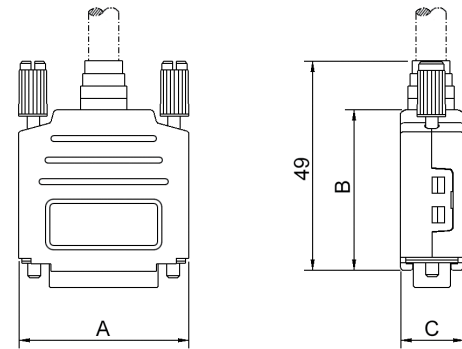
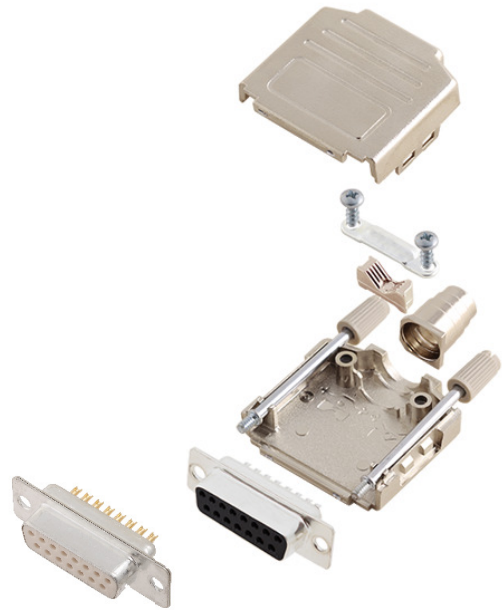
TECHNICAL SPECIFICATIONS

D-Sub Hood:

Material: UL Recognised Plastic Material
 Plating: Nickel over Copper
 Operating Temperature: -55°C to +105°C
 Cable Entry: Top
 Thumbscrews: UNC 4-40 (Standard)
 Cable O.D: Up to 11,5mm

Female D-Sub Solder Cup:

Insulator: PBT, Black, UL94 V-0
 Shell: Steel, Tin Plated
 Contact pins: Copper Alloy
 Stamped & Formed Pins: Class 3, 100 inserts min.
 Machined Contact Pins: Class 1, 500 inserts min.
 Contact Plating: Selective Gold over Nickel
 Operating Temperature: -55°C to +105°C
 Withstanding voltage: 1000V for 1 minute
 Insulator resistance: 1000MΩ min.



Features:

- Available in sizes 9, 15, 25 and 37-way
- Suitable for any common Sub-D Connector
- Quick-Snap locking system
- Re-openable
- Recyclable

Size DPPK-M	Dim A	Dim B	Dim C
9-way	32,5	38,0	15,0
15-way	41,0	38,0	15,0
25-way	54,5	40,0	15,0
37-way	71,0	40,0	15,0

Ordering information - Black Insulator:

Size:	P/N - Kitted:	Class 3 - 100 inserts min.
9-way	6355-0004-11	DPPK09-M-DBS-K
15-way	6355-0004-12	DPPK15-M-DBS-K
25-way	6355-0004-13	DPPK25-M-DBS-K
37-way	6355-0004-14	DPPK37-M-DBS-K

Size:	P/N - Kitted:	Class 1 - 500 inserts min.
9-way	6355-0004-31	DPPK09-M-DMS-K
15-way	6355-0004-32	DPPK15-M-DMS-K
25-way	6355-0004-33	DPPK25-M-DMS-K
37-way	6355-0004-34	DPPK37-M-DMS-K

Ordering information - White Insulator:

Size:	P/N - Kitted:	Class 3 - 100 inserts min.
9-way	6355-8004-11	DPPK09-M-DBS-W-K
15-way	6355-8004-12	DPPK15-M-DBS-W-K
25-way	6355-8004-13	DPPK25-M-DBS-W-K
37-way	6355-8004-14	DPPK37-M-DBS-W-K

Size:	P/N - Kitted:	Class 1 - 500 inserts min.
9-way	6355-8004-31	DPPK09-M-DMS-W-K
15-way	6355-8004-32	DPPK15-M-DMS-W-K
25-way	6355-8004-33	DPPK25-M-DMS-W-K
37-way	6355-8004-34	DPPK37-M-DMS-W-K

