

Green Line Lasermodule

LE520-30-24(40x210)-G

Order Number: 70120639

Main Parameters (*)	min	typ	max	Unit
Wavelength	510	520	530	nm
Optical Output Power		30		mW
Operating Voltage	23.6	24	26.4	V DC
Operating Current	20	50	100	mA
Operating Temperature	-10		60	°C
Storage Temperature	-40		80	°C

Optical Parameters

Beam Shape	Line
Laser Class	2M
Divergence	0.6mrad
Fan Angle	90°
Line Thickness	<3mm@7m
Operating Distance	25m
Optics	glass lens AR coated
Laser technology	Single Mode Diode
Stability	+/- 5% @ -10-45°C
Focus	fixed (7.0m)

Technical Parameters

Lifetime	>5000h
RoHS	yes

Electrical Parameters

Potential of Housing	isolated
----------------------	----------

Mechanical Parameters

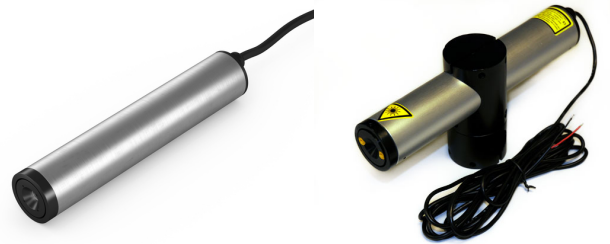
Size	Ø40x210mm
Material	aluminium
Cable length	1750mm
Wire type	18AWG, black, 3,6mm
Output Aperture	8mm
Housing Color	silver
Weight	920g
Protection Class	IP64
Stripping of wire	5mm
Stripping of cable cover	50mm

(*) Over the complete operating temperature range



Features

- Operating Voltage 24V DC
- Glas lenses anti reflex coated
- Laser Class 2M
- High power
- Uniform line thickness

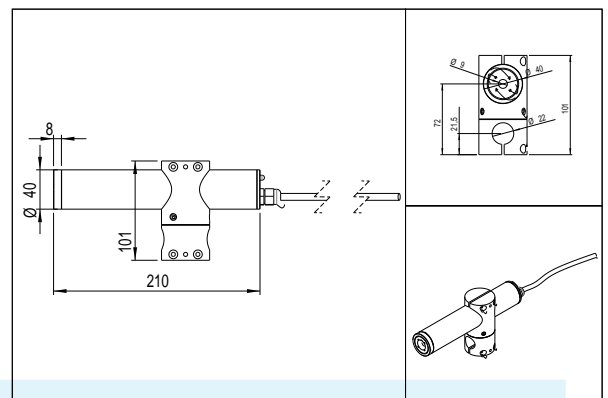
Picture



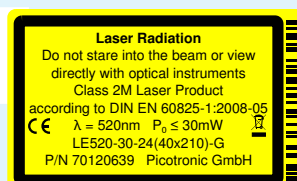
Cable Colors

Ground		black	GND
Positive		white	23.6 - 26.4, typ 24V DC

Drawing



Safety Label



Revision

| 28-SEP-2015