

Protocol converter - GW PL HART4-R-BUS



2702879

<https://www.phoenixcontact.com/pc/products/2702879>

Please be informed that the data shown in this PDF document is generated from our Online Catalog. Please find the complete data in the user documentation. Our General Terms of Use for Downloads are valid.



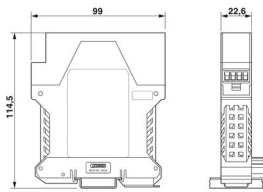
Four-channel HART[®] expansion module, with screw connection, with 250 Ω internal input resistors

Commercial Data

| | |
|--------------------------------------|---------------|
| Item number | 2702879 |
| Packing unit | 1 pc |
| Minimum order quantity | 1 pc |
| Product Key | DNC322 |
| GTIN | 4055626384788 |
| Weight per Piece (including packing) | 208.1 g |
| Weight per Piece (excluding packing) | 208.1 g |
| Customs tariff number | 85176200 |
| Country of origin | DE |

Technical Data

Dimensions

| | |
|---------------------|--|
| Dimensional drawing |  |
| Width | 22.5 mm |
| Height | 99 mm |
| Depth | 114.5 mm |

Material specifications

| | |
|-------|------|
| Color | gray |
|-------|------|

Interfaces

Data: HART FSK

| | |
|--------------------|------------------|
| Transmission speed | 1200 bps |
| Connection method | Screw connection |
| No. of channels | 4 |

Product properties

| | |
|--------------|--|
| Product type | I/O component |
| MTBF | 327 Years (Siemens model SN29500, temperature 40°C, env. factor 1.5 and stress factor 50%) |

Electrical properties

| | |
|--|----------|
| Test voltage data interface/power supply | 500 V AC |
| Test voltage data interfaces | 500 V AC |

Supply

| | |
|-----------------------------|---|
| Supply voltage range | 19.2 V DC ... 30 V DC (supplied from the bus) |
| Typical current consumption | 44 mA (at 24 V DC) |

Ambient conditions

| | |
|---|---------------------------------------|
| Degree of protection | IP20 |
| Ambient temperature (operation) | -40 °C ... 70 °C -40 °F ... 158 °F |
| Ambient temperature (storage/transport) | -40 °C ... 85 °C |

Approval data

Conformity/Approvals

Protocol converter - GW PL HART4-R-BUS



2702879

<https://www.phoenixcontact.com/pc/products/2702879>

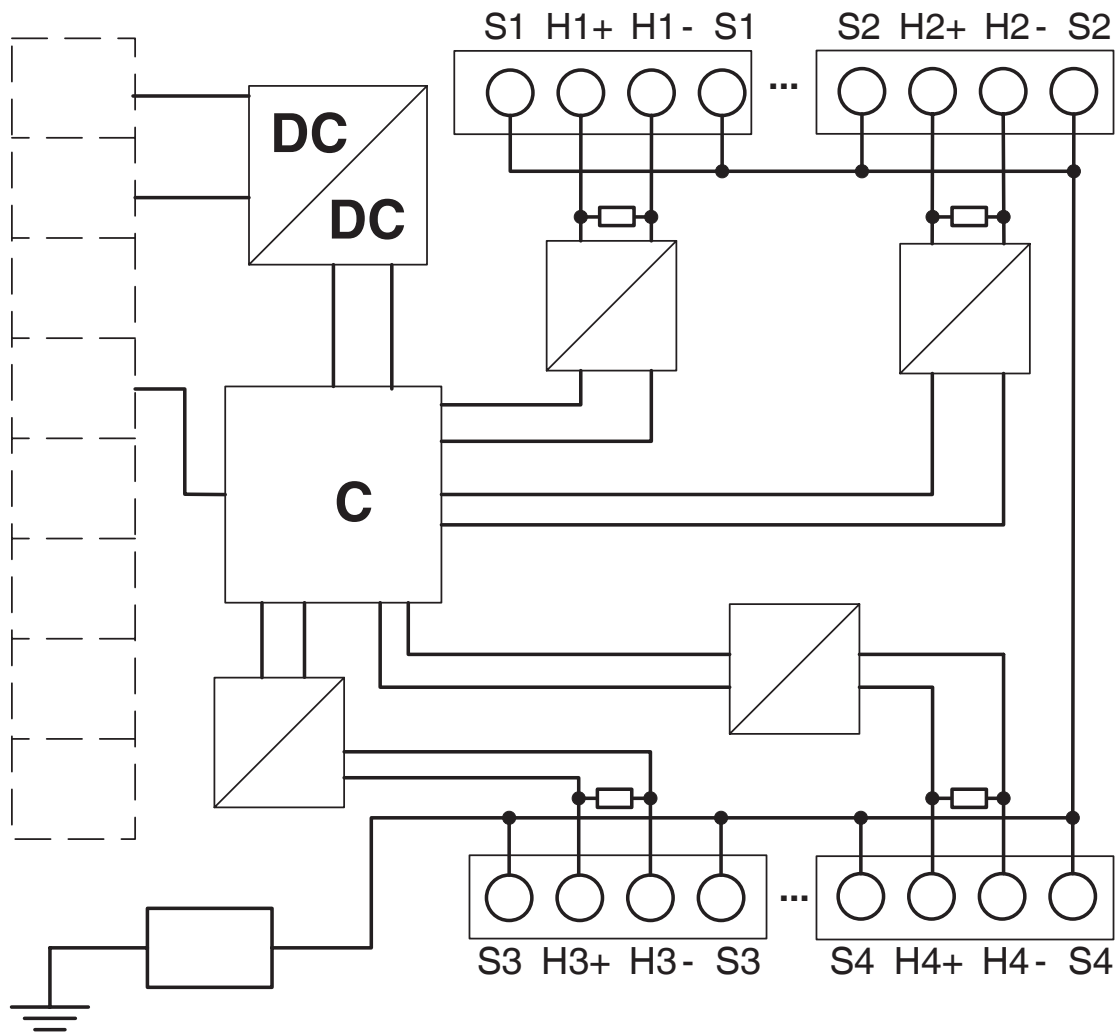
| | |
|------------------|----------------------------------|
| Conformance | CE-compliant |
| Noxious gas test | ISA-S71.04-1985 G3 Harsh Group A |

Mounting

| | |
|-----------------------|--|
| Mounting type | DIN rail mounting |
| Assembly instructions | on standard DIN rail NS 35 in accordance with EN 60715 |
| Mounting position | any |

Drawings

Block diagram



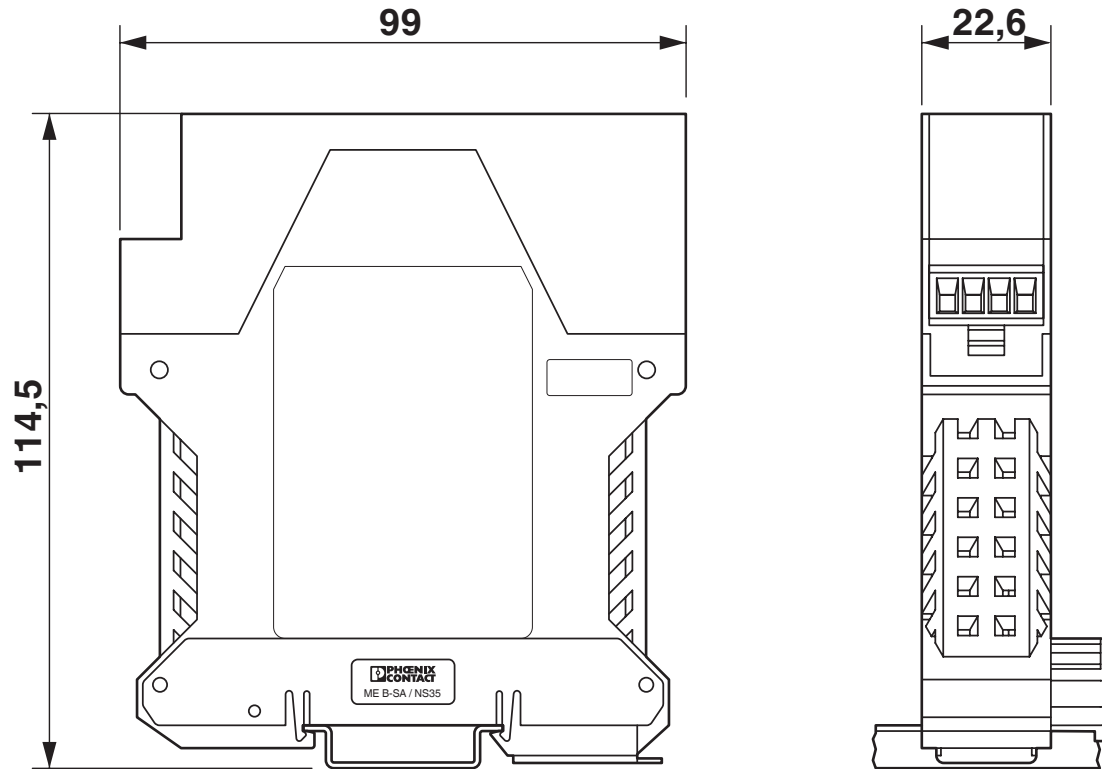
Protocol converter - GW PL HART4-R-BUS

2702879

<https://www.phoenixcontact.com/pc/products/2702879>



Dimensional drawing



Protocol converter - GW PL HART4-R-BUS



2702879

<https://www.phoenixcontact.com/pc/products/2702879>

Classifications

ECLASS

| | |
|---------------|----------|
| ECLASS-9.0 | 27242208 |
| ECLASS-10.0.1 | 27242208 |
| ECLASS-11.0 | 27242208 |

ETIM

| | |
|----------|----------|
| ETIM 8.0 | EC001423 |
|----------|----------|

UNSPSC

| | |
|-------------|----------|
| UNSPSC 21.0 | 32151700 |
|-------------|----------|

Protocol converter - GW PL HART4-R-BUS



2702879

<https://www.phoenixcontact.com/pc/products/2702879>

Environmental Product Compliance

| | |
|------------|--|
| REACH SVHC | Lead 7439-92-1 |
| China RoHS | Environmentally Friendly Use Period = 50 years |
| | For information on hazardous substances, refer to the manufacturer's declaration available under "Downloads" |

Protocol converter - GW PL HART4-R-BUS



2702879

<https://www.phoenixcontact.com/pc/products/2702879>

Mandatory Accessories

Ethernet HART multiplexer

Ethernet HART multiplexer - GW PL ETH/UNI-BUS - 2702233

<https://www.phoenixcontact.com/pc/products/2702233>



Ethernet head station for modular HART gateway. Connect up to five GW PL HART...-BUS expansion modules to communicate with up to 40 HART devices. Supports Modbus TCP, OPC UA, PROFINET, HART IP, FDT/DTM and Arcom.

Ethernet HART multiplexer

Ethernet HART multiplexer - GW PL ETH/BASIC-BUS - 2702321

<https://www.phoenixcontact.com/pc/products/2702321>



Ethernet head station for modular HART gateway. Connect up to five GW PL HART...-BUS expansion modules to communicate with up to 40 HART devices. Supports Modbus TCP, HART IP, FDT/DTM and Arcom.

Accessories

Protocol converter - GW PL HART4-R-BUS

2702879

<https://www.phoenixcontact.com/pc/products/2702879>



Protocol converter

Protocol converter - GW PL HART8-BUS - 2702235

<https://www.phoenixcontact.com/pc/products/2702235>



Eight-channel HART[®] expansion module, with screw connection

Protocol converter

Protocol converter - GW PL HART8+AI-BUS - 2702236

<https://www.phoenixcontact.com/pc/products/2702236>



Eight-channel HART[®] expansion module with analog loop supply and screw connection

Protocol converter - GW PL HART4-R-BUS

2702879

<https://www.phoenixcontact.com/pc/products/2702879>

Protocol converter

Protocol converter - GW PL DIO4-BUS - 2702237

<https://www.phoenixcontact.com/pc/products/2702237>



Four-channel digital input and four-channel digital output module with screw connection. For use with Modbus and OPC UA protocols.

Protocol converter

Protocol converter - GW PL HART4-BUS - 2702234

<https://www.phoenixcontact.com/pc/products/2702234>



Four-channel HART[®] expansion module, with screw connection

Protocol converter - GW PL HART4-R-BUS

2702879

<https://www.phoenixcontact.com/pc/products/2702879>



Protocol converter

Protocol converter - GW PL HART8-R-BUS - 2702880

<https://www.phoenixcontact.com/pc/products/2702880>



Eight-channel HART[®] expansion module, with screw connection, with 250 Ω internal input resistors

Phoenix Contact 2022 © - all rights reserved

<https://www.phoenixcontact.com>

PHOENIX CONTACT GmbH & Co. KG

Flachsmarktstraße 8

D-32825 Blomberg

+49 (0) 5235-3 00

info@phoenixcontact.com