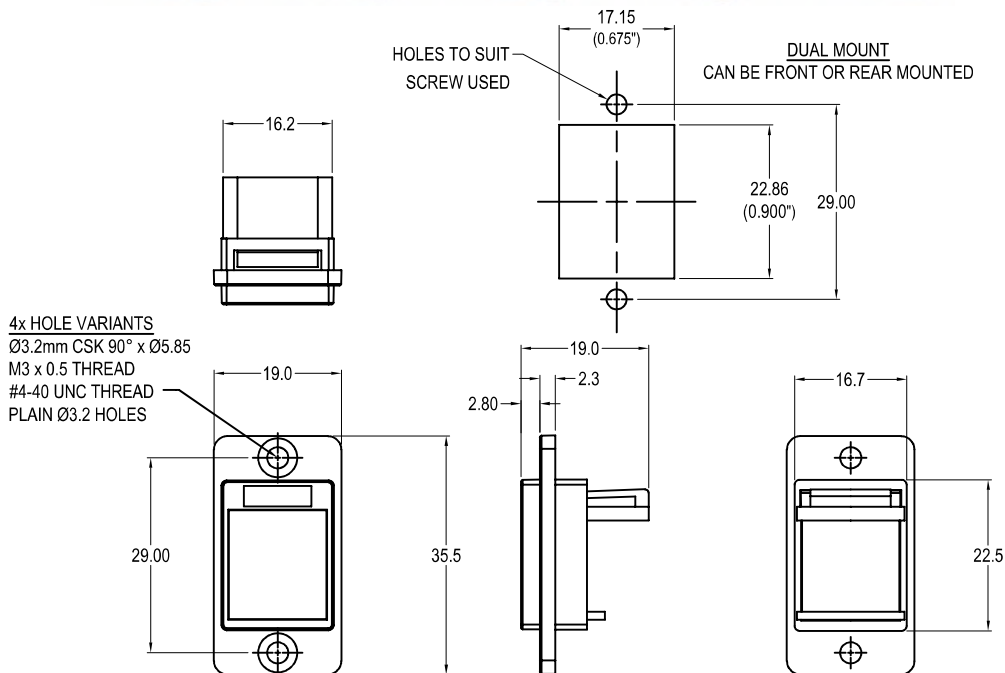


CLIFF

DUALSLIM BLANK METAL FRAME FEEDTHROUGH CONNECTOR

Can be front or rear mounted in the panel



VARIANTS

Part No.

CP30741M	DUALSLIM Blanking Plate Nickel frame, CSK holes
CP30741MB	DUALSLIM Blanking Plate Black metal frame, CSK holes
CP30741M3	DUALSLIM Blanking Plate Nickel frame, M3 holes
CP30741MB3	DUALSLIM Blanking Plate Black metal frame, M3 holes
CP30741M440	DUALSLIM Blanking Plate Nickel frame, #4-40 holes
CP30741MB440	DUALSLIM Blanking Plate Black metal frame, #4-40 holes
CP30741MX1	DUALSLIM Blanking Plate Nickel frame, Ø3.2 PLAIN holes
CP30741MBX1	DUALSLIM Blanking Plate Black metal frame, Ø3.2 PLAIN holes

Feedthrough Features

- Fits standard rectangular cutout.
- Various hole mounting options.
- No soldering or punch termination. Use standard cable for each connector style.
- Low rear profile.

Material:

1. Insert: ABS
2. Frame: Diecast, Nickel or Black plated

General:

Please note: Functionality is affected by cable quality, length and cable wiring configuration.

For further information, contact sales@cliffuk.co.uk

© CLIFF 02/2021 ISS.1

Cliff Electronic Components Limited,
76 Holmethorpe Avenue, Holmethorpe Ind. Estate,
Redhill, Surrey RH1 2PF U.K.
Tel: +44 (0)1737 771375 Fax: +44 (0)1737 766012



www.cliffuk.co.uk